



# B103-107-16-MOD-TM

Recessed Water Bottle Filling Station with  
Non-Recessed Vandal Proof Drinking Fountain and In-Wall Taste Master® Purifier



Water bottle filling station, fountain bowl, support arm and purifier cabinet shown in #4 satin standard stainless steel finish with "Soft Touch" button valve\* and bubbler\* in mirror finish

\*"Hands Free" option available

### PRODUCT COMPLIANCE\*

ADA Compliance  
Buy America Act  
CA Proposition 65  
Filters: NSF/ANSI Standards 42 and 53 (Lead Free)  
Components: CA NSF/ANSI 372-2011 (Lead Free)  
*\*More available on request*

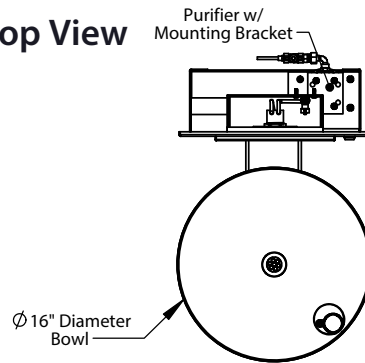
Options and finishes may differ from image shown.

Dimensions in drawing subject to options selected.

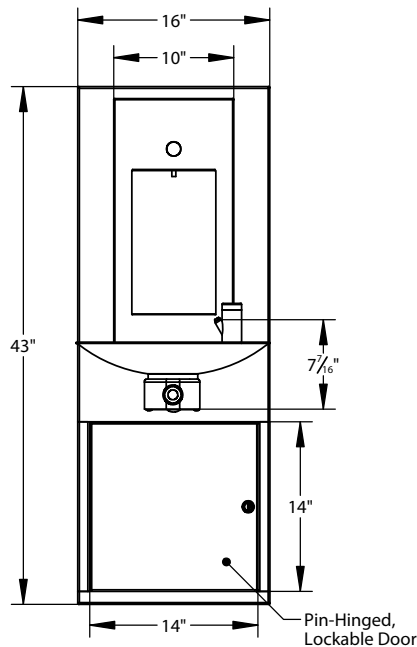
### Features

- 16" diameter, 16 ga. fountain bowl
- One-piece cover plate with no seams or exposed edges
- No plastic parts
- 100% made in the USA
- Manufactured with lead-free materials
- Integral drain in bowl for ease of cleaning
- Long-lasting, durable stainless steel water dispenser, promotes refilling of water bottles
- 1/4" steel support arm and wall bracket capable of supporting 500 lbs.
- 16 ga. panel secured with tamper-resistant screws for security
- Options include sensor activation, bottle counters, finishes, bubbler valves and much more...

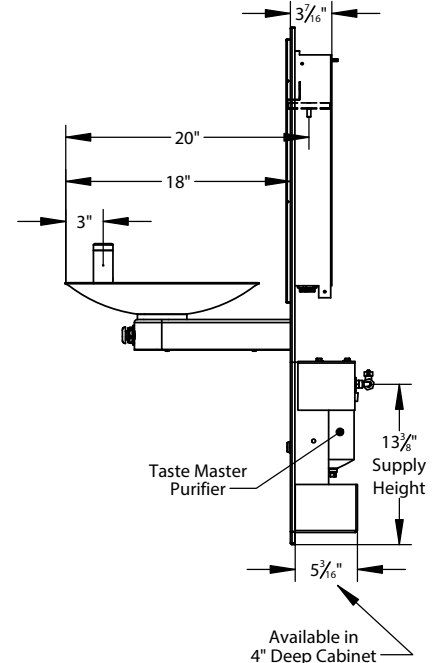
### Top View



### Front View



### Side View



### B103-107-16-MOD-TM Models Include:

#### TMS1-0.5 Taste Master® Purifier

**Construction:** stainless steel housing

**Element:** Carbon block removes lead, particulates, cysts, chlorine, organic odors and taste. Exclusive seal design negates bypassing and leaking.

### Recommended Add-ons

#### Chiller

Equip your fountain with a Filtrine point-of-use or remote chiller to cool your drinking water. We can help you select the most economical chiller model to fit your demand.

For options, finishes and more see page 2



## Bottle Filling Station Controls (Check One)

### Flush Mounted "Soft Touch" Button Valve [S]



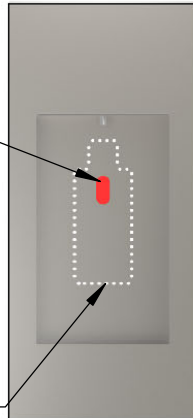
Flush Mount "Soft Touch" Push Button

"Hands Free" Sensor Activator

- Features automatic shutoff with [30] second delay
- Uses [4] AA batteries (included)
- 120/60/1 voltage available

Optional Bottle LED Lights  
 \*Requires 115V outlet

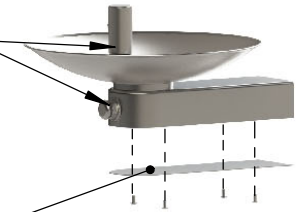
### Optional Sensor Activated Valve



## Standard Security Panel and Vandal Proof Bubbler [S]



"Soft Touch" Button and Projector Bubbler with Recessed Set Screws



16 ga. Plate Secured with Tamper-Resistant Screws for Added Security

### Optional Fountain Sensor Activated Bubbler

- Features automatic shutoff with [30] second delay
- Uses [4] AA batteries (included)
- Helps prevent vandalism and water waste



"Hands Free" Sensor

\*120/60/1 voltage available

### Optional Bottle Counter

Digital display of approximate number of bottles saved through fountain usage

Note: Only available with sensor activation



**Other options are available, please contact the factory for more choices.**

## Custom Specifications:

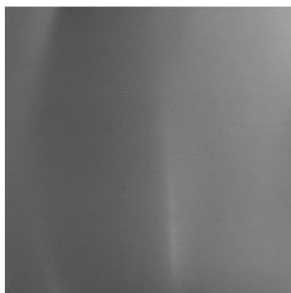
### Bottle Filling Station & Fountain Finish (Check One)

Satin Stainless [S]    Mirrored Stainless    Powder Coat \_\_\_\_\_    Satin Bronze    Mirrored Bronze    Statuary Bronze    Oil-Rubbed Bronze

### Optional Cover Plate Finish (Check One)

Satin Stainless [S]    Mirrored Stainless    Powder Coat \_\_\_\_\_    Satin Bronze    Mirrored Bronze    Statuary Bronze    Oil-Rubbed Bronze

## Stainless



Satin Stainless Steel [S]



Mirrored Stainless Steel

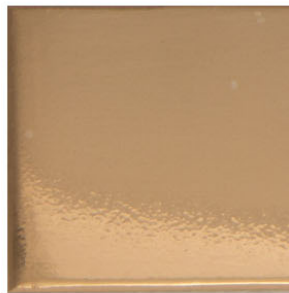


Powder Coat

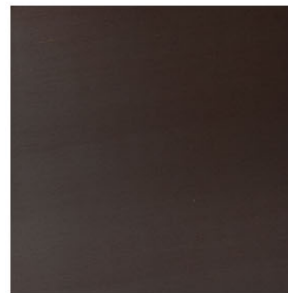
## Bronze



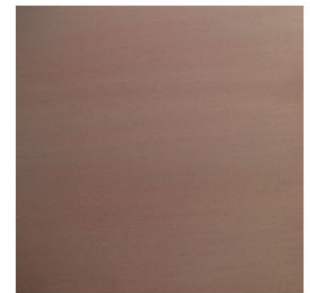
Satin Bronze



Mirrored Bronze



Oil Rubbed Bronze



Statuary Bronze

