



FCC-107-16-RA

Non-Recessed Drinking Fountain with In-Wall Chiller and Taste Master® Purifier



Round support arm, fountain bowl, cover plate and chiller cabinet shown in standard stainless steel satin finish with a "Soft Touch" button valve* and bubbler* in mirror finish

**"Hands Free" option available

Dimensions in drawing subject to options selected.

Features

- 16" diameter, 16 ga. fountain bowl
- No plastic parts
- 100% made in the USA
- Manufactured with lead-free materials
- Integral drain in bowl for ease of cleaning
- 1/4" steel support arm and wall bracket capable of supporting 500 lbs.
- Matching cover plate and cabinet finishes including unlimited powder coat colors
- Options include "Hands Free" vandal proof bubblers, bottle fillers, bottle counters, finishes, bubbler valves, and more...

FCC-107-16-RA Models Include:

Chiller: Model 67A

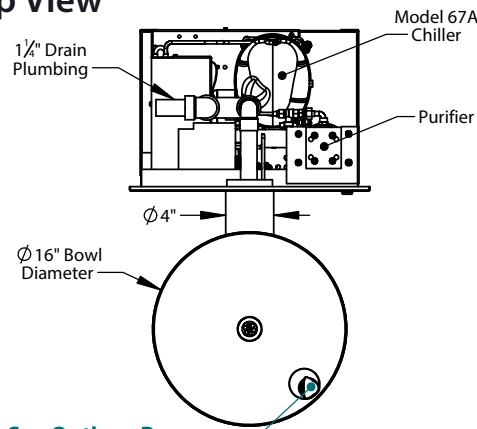
- **Water in:** 1/4" FPT
- **Cooling Capacity:** 6 GPH @ 50°F [10°C]*
- **Storage:** 1 gal, insulated stainless steel tank
- **Refrigerant:** HFO R513A "Ozone Safe - Low GWP"
- **Electrical:** 115/60/1 or specify _____

*Higher capacity chillers are available, consult factory for correct model #s.

Purifier: Taste Master® TMS1-0.5

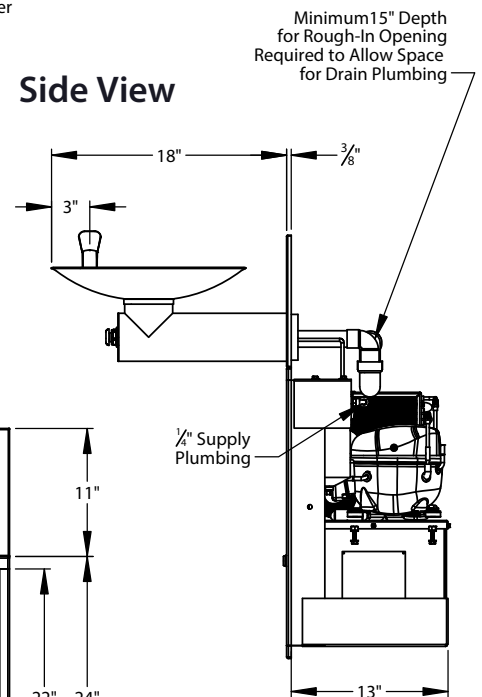
- **Construction:** Stainless steel housing
- **Element:** Carbon block removes lead, particulates, cysts, chlorine, organic odors and tastes. Exclusive seal design negates bypassing and leaking.

Top View



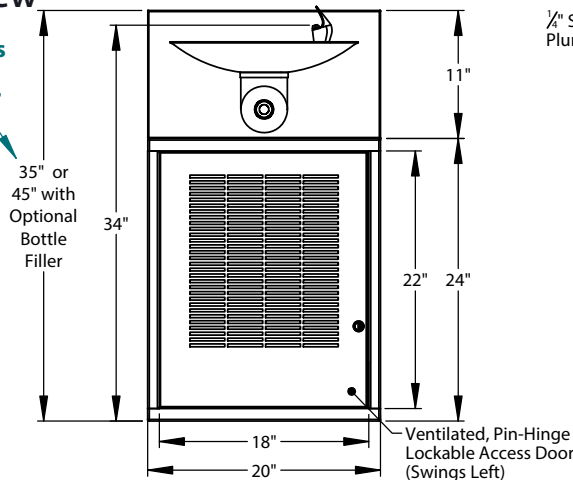
See Options Page for Bubbler Types

Side View



Front View

See Options Page for Bottle Filler Types



For options, finishes and more see page 2





Filtrine Drinking Water Non-Recessed Fountain Options

[S] - Standard
♿ - ADA compliant

Optional Vandal Proof Bottle Filler (Choose only one optional filler)

- "Soft Touch" Valve Sensor Activation*
- Bottle Rest - Located above lowest bowl for reduced splash and one handed operation
- Bottle Counter - Digital display of approx. number of bottles saved through fountain usage
Note: Only available with sensor activation
- Mounted 10" above lowest fountain bowl.
- Comes standard with bottom security panel assembled with tamper proof screws.
- Requires larger cover plate and mounting plate.
- Supply plumbing and mounting tongue for filler provided by Filtrine.



*Bottle Rest Included with Sensor Activated Bottle Filler

Optional Integral "Push Back" Lever Bottle Filler (Choose only one optional filler)

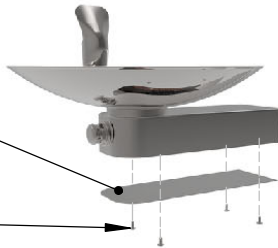
- Mounted 10" above lowest fountain bowl.
- Requires larger cover and mounting plates.
- Easy-to-use stainless steel "push back" lever.
- Supply plumbing and mounting fitting for filler provided by Filtrine.



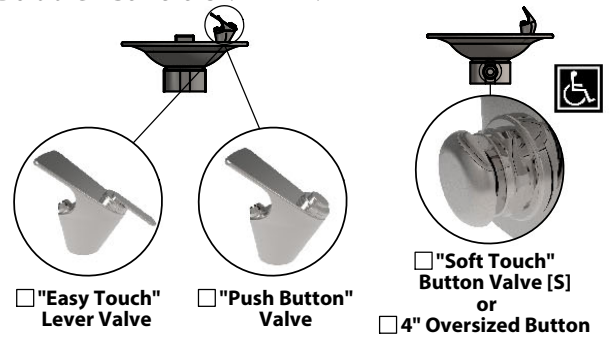
Optional Security Panel

16 ga. Plate Secured with Tamper-Resistant Screws for Added Security

4x-Tamper Resistant Screws



Bubbler Controls (Check One)



Optional Tamper-Resistant Screws

Tamper-Resistant Set Screws for Bubbler and "Soft Touch" Button (if applicable)



Optional Fountain Sensor Activated Bubbler



"Hands Free" Sensor Activator

- Uses 4x-AA lithium batteries (included), runs approximately 400,000 activation cycles*
- Features automatic shutoff (30 sec).
- Helps prevent vandalism and water waste.

*120/60/1 voltage available

Fountain Finish (Check One)

Satin Stainless [S] Mirrored Stainless Powder Coat _____ Satin Bronze Mirrored Bronze Statuary Bronze Oil-Rubbed Bronze

Optional Cover Plate Finish (Check One)

Satin Stainless [S] Mirrored Stainless Powder Coat _____ Satin Bronze Mirrored Bronze Statuary Bronze Oil-Rubbed Bronze

Stainless

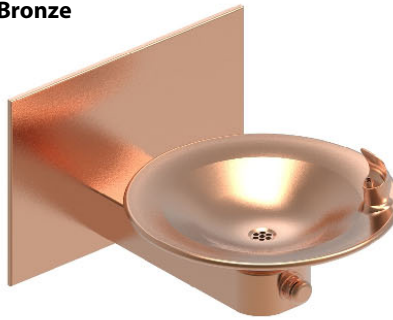


Satin Stainless Steel [S]

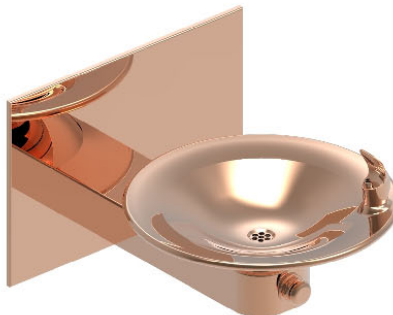


Mirrored Stainless Steel

Bronze



Satin Bronze



Mirrored Bronze



Oil Rubbed Bronze



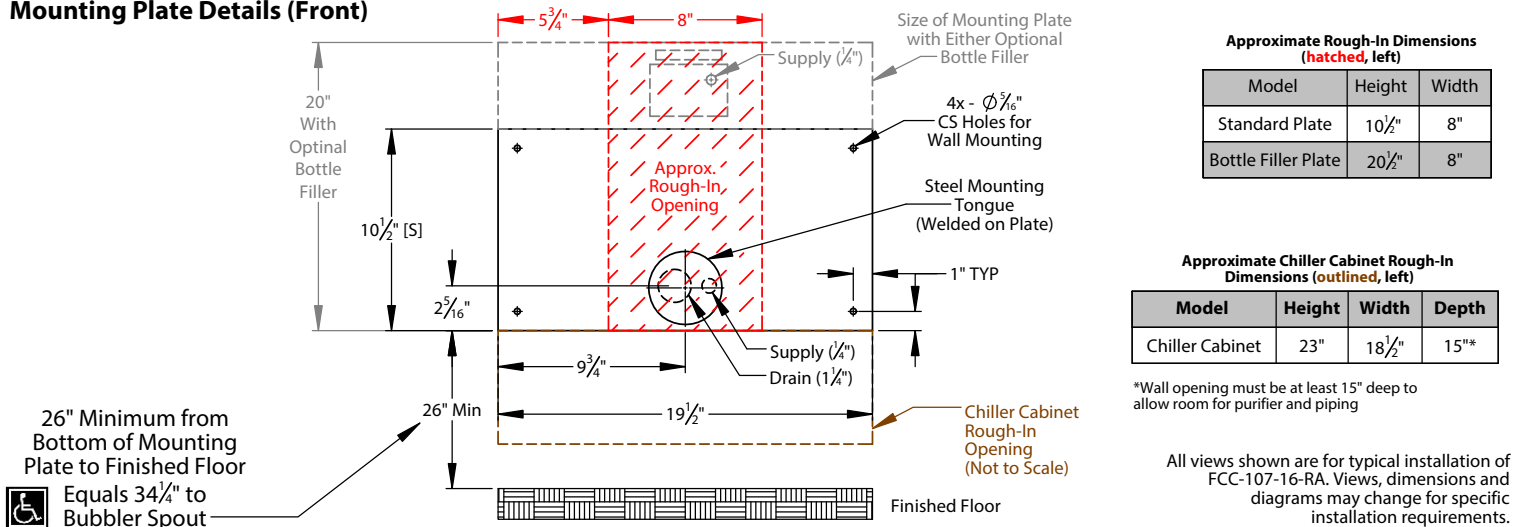
Statuary Bronze



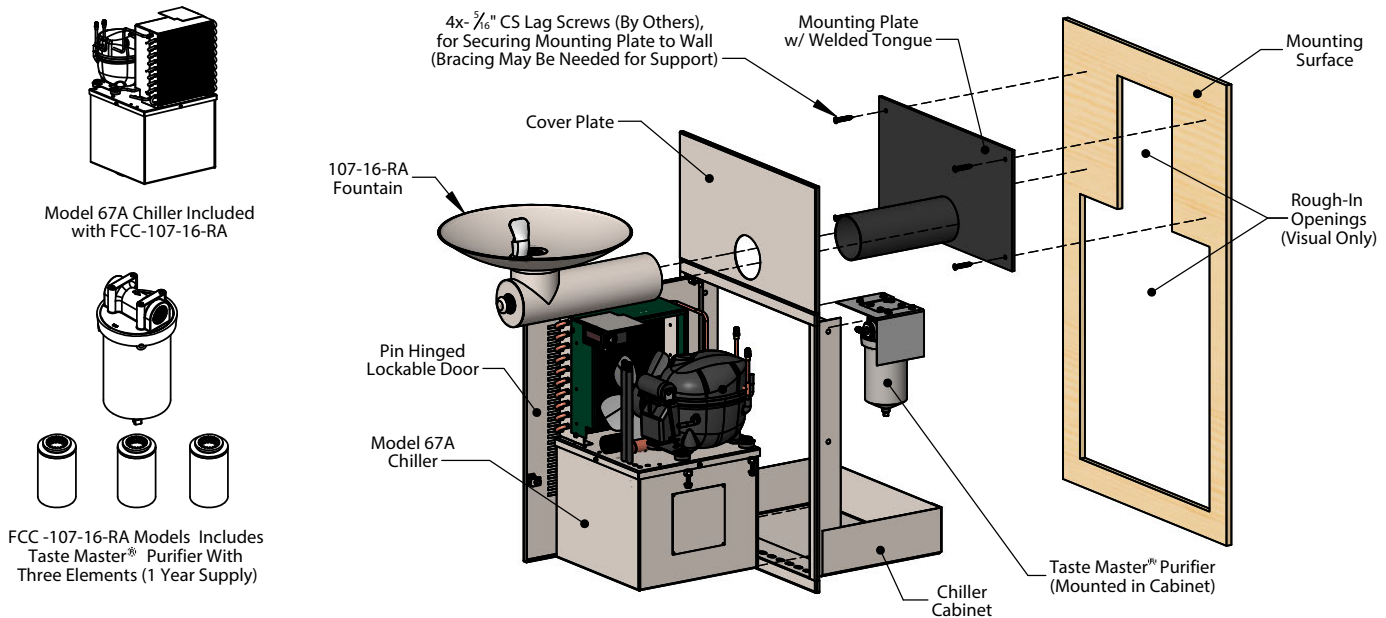


Model FCC-107-16-RA Drinking Water Installation Drawing

Mounting Plate Details (Front)



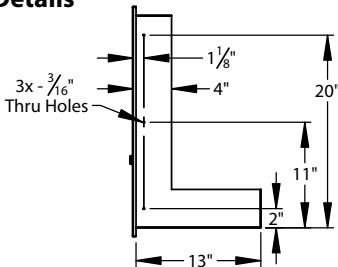
Exploded On-Wall Installation View FCC-107-16-RA



Typical Assembly Instructions (Always Install Per Local Code)

- Cut rough opening per install requirements (rough opening example shown above) and install blocking or fixture carriers as required to support the drinking fountain mounting plate and purifier cabinet in a minimum 15" deep wall.
- Cut a separate rough opening extending below the fountain mounting plate (23" high x 18 1/2" wide maximum rough in opening dimensions).
- Run drain pipe to center of openings on mounting plate and install drain trap in wall per local code.
- Run supply water line to mounted Taste Master® filter housing.
- If optional bottle filler is included with order, attach piping assembly provided by Filtrine to the back side of the mounting plate with two screws and rubber gasket for standard bottle filler and flare connection for vandal proof bottle filler.
- Fasten mounting plate over rough opening with 5/16" countersunk lag bolts with bottom of plate 26" above the floor to meet ADA fountain height requirement of 34 1/4" to the bubbler spout.
- Install chiller cabinet in rough opening below the mounting plate and slide the cover plate over the mounting plate. Using screws, fasten the cabinet to the mounting surface through the side flange of the cabinet.
- Slide the fountain and vandal proof bottle filler arm (if ordered) over the horizontal tongues protruding from the mounting plate and fasten arms with set screws pushing slightly against the cover plate.
- Connect drain line to slip coupling and connect and secure all supply water connections.

Chiller Cabinet Installation Details



Typical Drain Plumbing Detail (In-Wall Drain Plumbing Provided By Others, Install Per Local Code)

