



B103-107-16-MOD-HL-TM-HF

Touchless Recessed Water Bottle Filling Station with Purifier and High/Low Non-Recessed Drinking Fountains, Both with "Hands Free" Sensors



Water bottle filling station, fountain bowls, support arms and purifier cabinet shown in #4 satin standard stainless steel finish with "Hands Free" sensors, label and bubblers in mirror finish

Dimensions in drawing subject to options selected.

Features

- [2] 16" diameter, 16 ga. fountain bowls
- Long-lasting, durable stainless steel water dispenser, promotes refilling of water bottles
- "Hands Free" sensors help prevent germ transmission and water waste
- One-piece cover plate with no seams or exposed edges
- No plastic parts
- Integral drain in bowl for ease of cleaning
- 1/4" steel support arm and wall bracket capable of supporting 500 lbs.
- Options include bottle counters, cane aprons, finishes, bubbler valves and much more...

B103-107-16-MOD-HL-TM-HF Models Include:

Purifier: Taste Master® TMS1-0.5

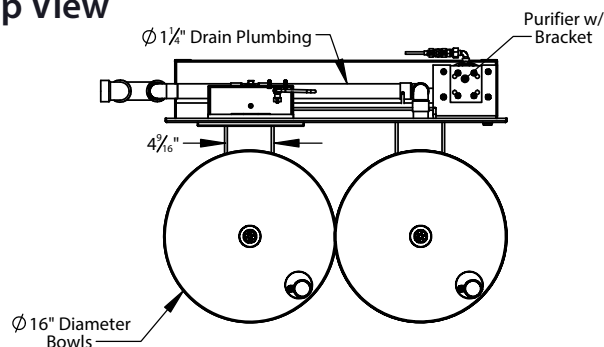
- Construction: Stainless steel housing
- Element: Carbon block removes lead particulates, cysts, chlorine, organic odors and tastes. Exclusive seal design negates bypassing and leaking.

Recommended Add-ons

Chiller

Equip your fountain with a Filtrine point-of-use or remote chiller to cool your drinking water. We can help you select the most economical chiller model to fit your demand.

Top View



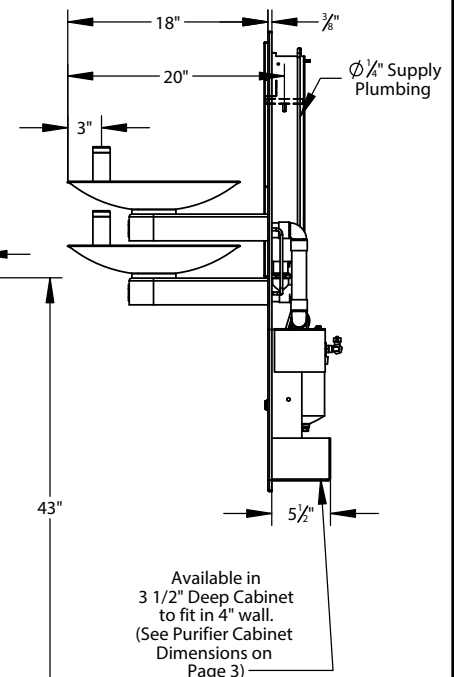
Select Low Fountain Bowl Location

Left [S] Right

Select Wall Depth

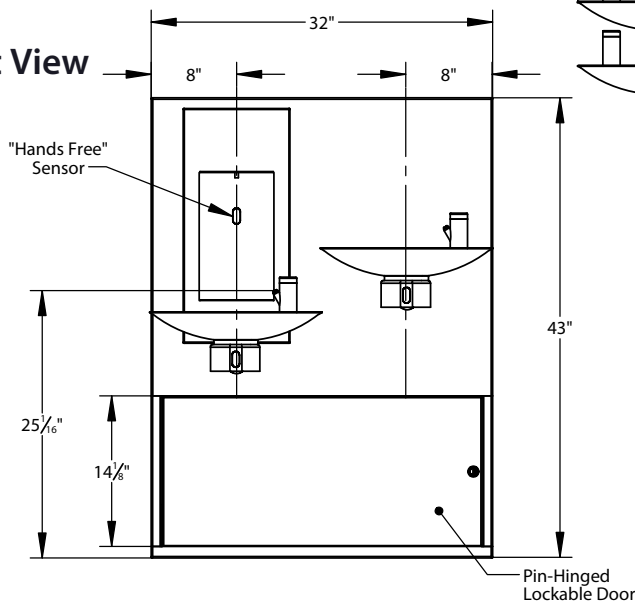
6" [S] 4"

Side View



Available in 3 1/2" Deep Cabinet to fit in 4" wall. (See Purifier Cabinet Dimensions on Page 3)

Front View

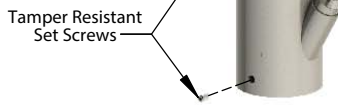


For options, finishes and more see page 2

Vandal Proof Features

Tamper Resistant Screws

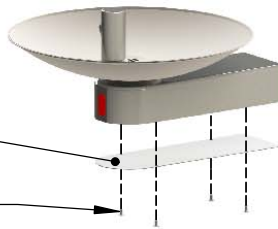
Tamper Resistant Set Screw
Secures Bubbler to Fountain



Fountain Security Panel

16 ga. Plate
Secured with
Tamper-Resistant
Screws for Added
Security

4x-Tamper
Resistant
Screws



Optional Bottle Counter

Digital display of
approximate number of
bottles saved through
fountain usage

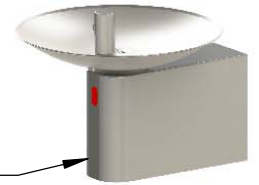
Note: Only available with sensor
activation



Optional Cane Apron on High Fountain Arm

ADA compliant cane apron
provides the 27" floor to
underside requirement that
certain states have

8 1/2" High Cane Apron



Labels (Choose one or both [S])

Permanent labels adhere to the bottle filling station cover plate. These labels convey to the user that the bubbler and filling station are operated by sensors.



Optional F-502 Bubbler

Alternative "Hands Free" Bubbler
to the Default F-503 Bubbler

Tamper-Resistant Set Screw
Secures Bubbler to Fountain

Tamper-Resistant
Set Screw



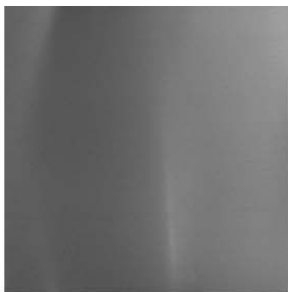
Bottle Filling Station & Fountain Finish (Check One)

Satin Stainless [S] Mirrored Stainless Powder Coat _____ Satin Bronze Mirrored Bronze Statuary Bronze Oil-Rubbed Bronze

Optional Cover Plate Finish (Check One)

Satin Stainless [S] Mirrored Stainless Powder Coat _____ Satin Bronze Mirrored Bronze Statuary Bronze Oil-Rubbed Bronze

Stainless



Satin Stainless Steel [S]



Mirrored Stainless Steel

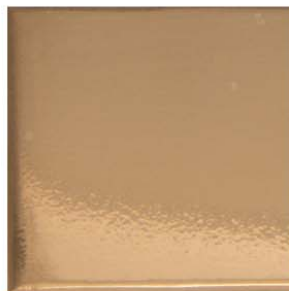


Powder Coat

Bronze



Satin Bronze



Mirrored Bronze

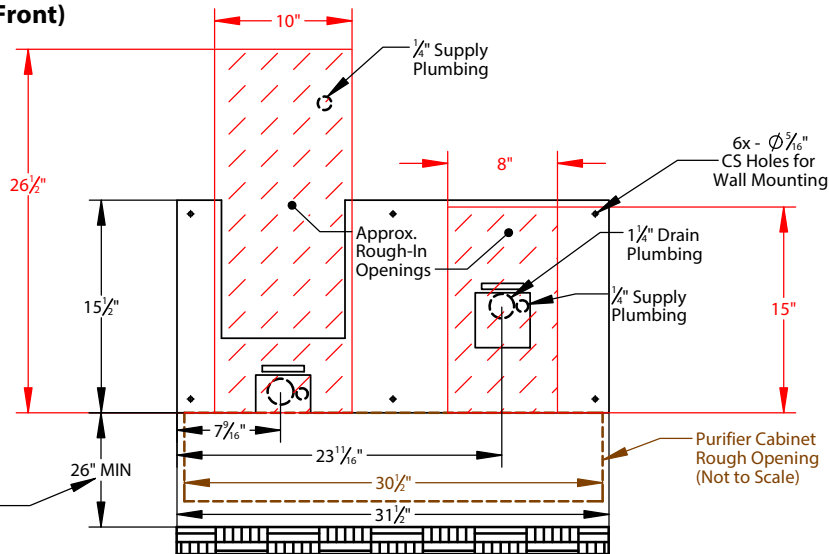


Oil Rubbed Bronze



Statuary Bronze

Mounting Plate Details (Front)



Approximate Rough-In Dimensions (hatched, left)

Model	Height	Width
Right Fountain	15"	8"
Filling Station and Left Ftn	26 1/2"	10"

Approximate Purifier Cabinet Rough-In Dimensions (outlined, left)

Model	Height	Width
Standard Cabinet*	15 1/2"	30 1/2"

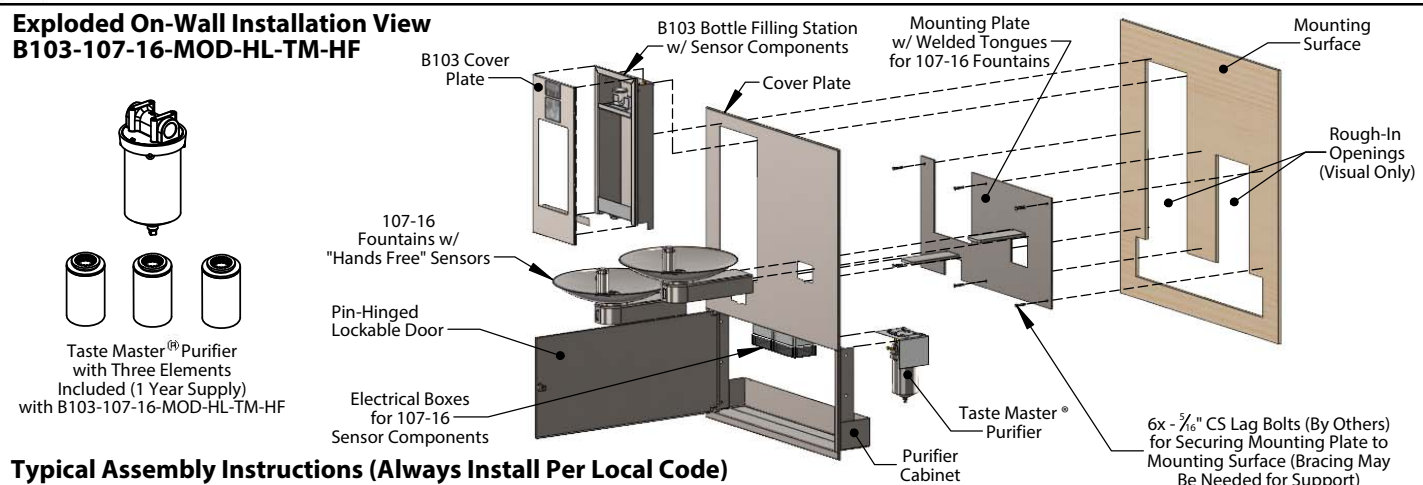
*Wall opening must be 6" deep to allow room for purifier and piping

All views shown are for typical installation of B103-107-16-HL-MOD-TM-HF. Views, dimensions and diagrams may change for specific installation requirements.

26" Minimum From Bottom of Mounting Plate to Finish Floor Equals 34 1/4" to Bubblers Spout and 47" to Bottle Filler Spout



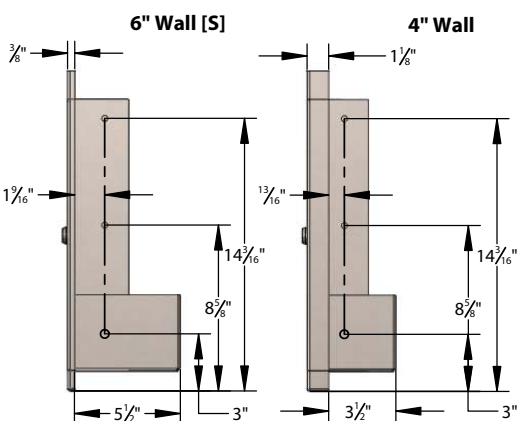
Exploded On-Wall Installation View B103-107-16-MOD-HL-TM-HF



Typical Assembly Instructions (Always Install Per Local Code)

- Cut rough opening for fountain, bottle filler and purifier cabinet as shown above and install blocking or fixture carrier as required to support the assembly.
- Fasten mounting plate over rough opening with $\frac{5}{16}$ " countersunk lag bolts with bottom of plate 26" above the floor to meet ADA fountain height requirements.
- Install cover plate and cabinet over the mounting plate. Using lag screws secure cabinet to the blocking or mounting surface through the side flange of the cabinet.
- Place B103 bottle filling station in cover plate opening and mount in place using holes located on the side of the B103 frame.
- Slide the 107-16 fountains over the horizontal tongues protruding from the mounting plate and fasten arms with set screws pushing slightly against the cover plate or finished wall.
- Connect drain lines to slip coupling and connect supply water connections.
- Connect water to $\frac{1}{4}$ " FPT connection of stop valve at purifier inlet. Use plumber's tape and crescent wrench to ensure all connections are tight.
- Install filter cartridge in housing per instructions on filter. Open stop valve to fill filter housing and purge air out the vent.
- Test water flow from the filler valve. Water should fill a 12oz bottle in 15 seconds or less. Adjust flow at regulator if required with straight screw driver.

Purifier Cabinet Dimensions



Typical Drain Plumbing Detail (In-Wall Plumbing Provided By Others, Install Per Local Code)

