



FCC-B103-107-16-MOD-HL

Recessed Water Bottle Filling Station with High/Low Non-Recessed Drinking Fountain with In-Wall Chiller and Taste Master® Purifier



Water bottle filling station*, fountain support arm, cover plate, chiller cabinet, "Soft Touch" button valve*, and bubbler* shown in standard stainless steel satin finish

PRODUCT COMPLIANCE*

- ADA Compliance
- Buy America Act
- CA Proposition 65
- NSF/ANSI 42, 53 and 372 (Lead Free)
- UL STD 399
- CSA STD C22.2 #120

*More available on request

Options and finishes may differ from image shown.

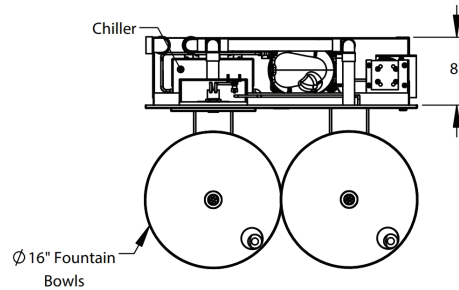
*"Hands Free" option available

Dimensions in drawing subject to options selected.

Features

- [2] 16" diameter, 16 ga. fountain bowls
- No plastic parts
- 100% made in the USA
- Manufactured with lead-free materials
- Integral drain in bowl for ease of cleaning
- 1/4" steel support arm and wall bracket capable of supporting 500 lbs.
- Long-lasting, durable stainless steel water dispenser, promotes refilling of water bottles
- 16 ga. plate secured with tamper-resistant screws for added security
- Pin-hinge, lockable door
- Options include sensor activation, bottle fillers, bottle counters, finishes, bubbler valves, and more...

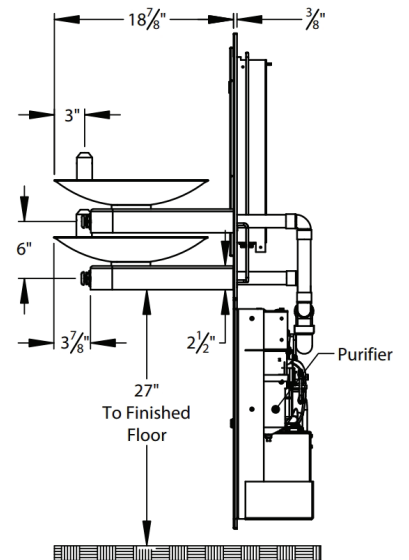
Top View



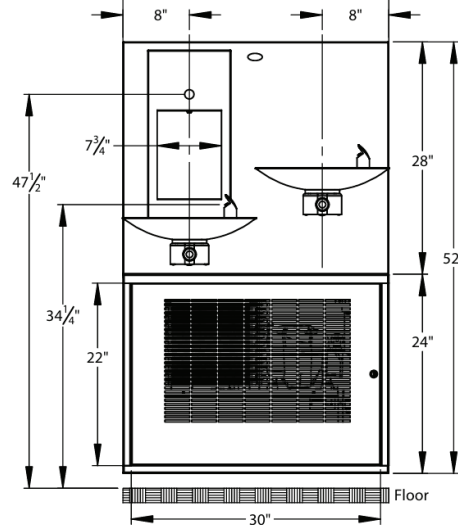
Select Low Fountain Location

- Left [S] Right

Side View



Front View



FCC-B103-107-16-MOD-HL Models Include: Chiller: Model 56A

- **Water In:** 1/4" FPT
- **Cooling Capacity:** 6 GPH @ 50° F [10° C]*
- **Storage:** 2 gal, insulated stainless steel tank
- **Refrigerant:** HFO R513A "Ozone Safe - Low GWP"
- **Electrical:** 120/60/1 or specify _____

*Higher capacity chillers are available, consult factory for correct model numbers.

Purifier: Taste Master® TMS1-0.5

- **Construction:** Stainless steel housing
- **Element:** Carbon block removes particulates, cysts, chlorine, organic odors and tastes. Exclusive seal design negates bypassing and leaking.

For options, finishes and more see page 2





Filtrine Drinking Water Non-Recessed Fountain Options

[S] - Standard

- ADA Compliant

Standard Security Panel and Vandal Proof Bubbler [S]



"Soft Touch" Button and Projector Bubbler with Recessed Set Screws



16 ga. Plate Secured with Tamper-Resistant Screws for Added Security

Standard Bubbler Controls



Remote "Soft Touch" Button Valve [S]

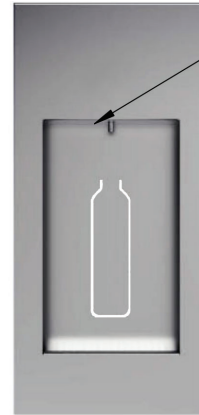
Tamper-Resistant Screws in Bubbler and "Soft Touch" Button (if applicable)

Bottle Filling Station Controls

Flush Mounted "Soft Touch" Push Button [S]



Optional "Hands Free" Sensor Activated Valve



• Features automatic shutoff with [20] second delay
"Hands Free" Sensor Activator

- Optional Bottle Counter
- Optional Bottle Decal
- Optional Downlight

Power Supply Options:
(Choose only one)

- Connect 12v Transformer to A/C Power Supply [S] or
- Use 12v Wall Plug

120/60/1 Voltage Required

Optional Bottle Counter

Note: Only available with Hands Free units



• Digital display of approximate number of bottles saved through filler usage

Optional "Hands Free" Fountain Sensor Activated Bubbler

Include "Hands Free" Bubbler

- Features automatic shutoff with [20] second delay
- Helps prevent vandalism and water waste

*120/60/1 voltage required

"Hands Free" Sensor Activator



Other options are available, please contact the factory for more choices.

Vandal Proof Option: Yes [S] No

Bubbler Options:



F-507

All finish options available



F-501



F-501-L



F-502

Available in:
Stainless Steel,
Oil-Rubbed Bronze,
or Any Powder Coat
Options

Fountain Finish (Check One)

- Satin Stainless [S] Satin Bronze Statuary Bronze Oil-Rubbed Bronze Oil-Rubbed Bronze Powder Coat Powder Coat _____

Optional Cover Plate Finish (Check One)

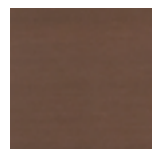
- Satin Stainless [S] Satin Bronze Statuary Bronze Oil-Rubbed Bronze Oil-Rubbed Bronze Powder Coat Powder Coat _____



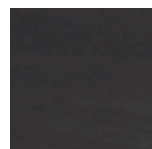
Satin Stainless Steel [S]



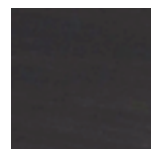
Satin Bronze



Statuary Bronze



Oil Rubbed Bronze



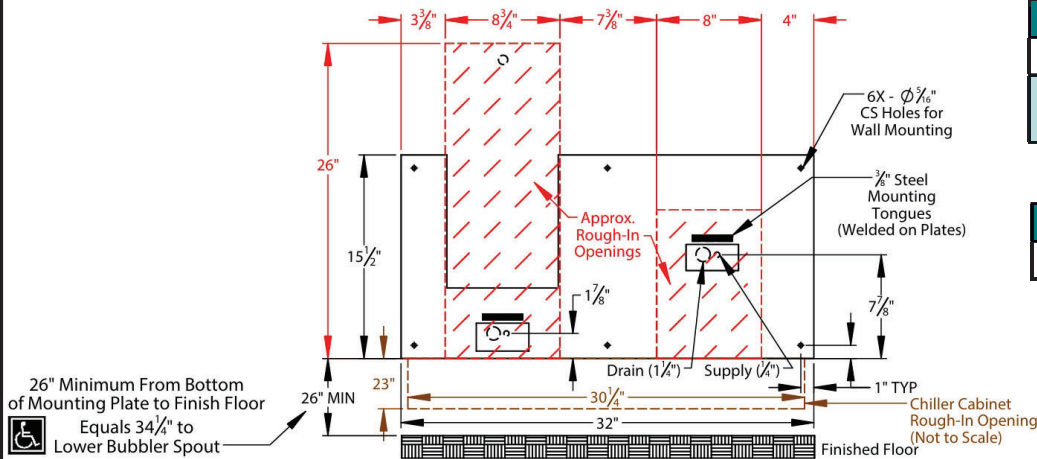
Oil Rubbed Bronze Powder Coat
(Applied to Stainless Steel)



Powder Coat



Mounting Plate Details (Front)



Mounting Plate Rough-In Dimensions (hatched, left)

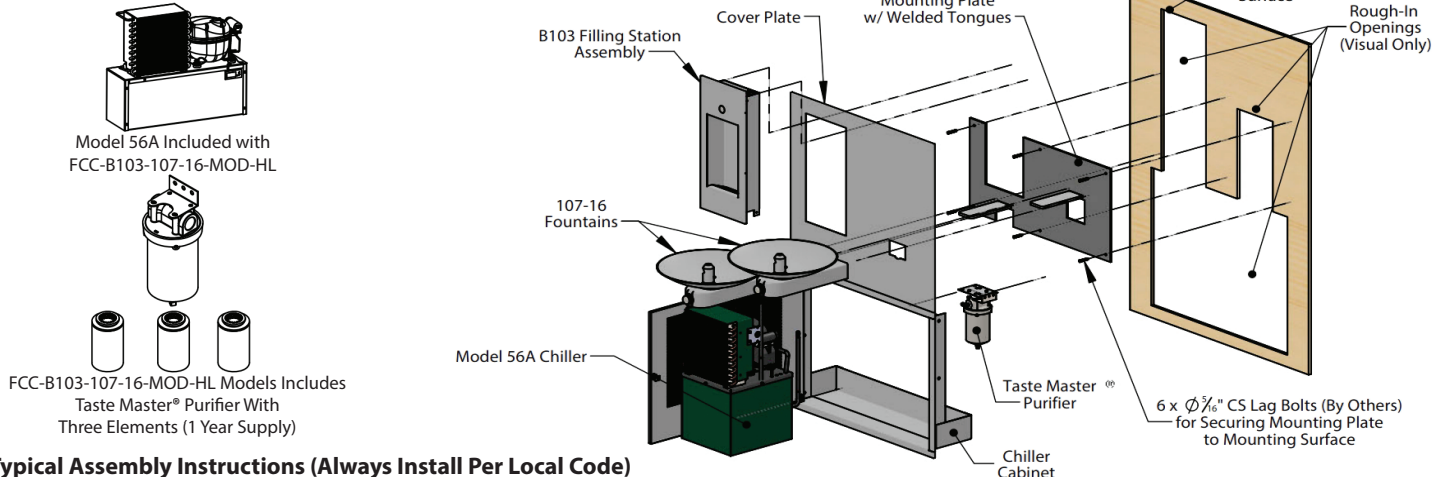
MODEL	HEIGHT	WIDTH	DEPTH
107 Fountain	10"	8"	N/A
B103 MOD Bottle Filler	26"	8 3/4"	4"

Access Panel Rough-In Dimensions (hatched, left)

MODEL	HEIGHT	WIDTH	DEPTH
Chiller Cabinet	23"	30 1/4"	8"

All views shown are for typical installation of FCC-B103-107-16-MOD-HL. Views, dimensions and diagrams may change for specific installation requirements

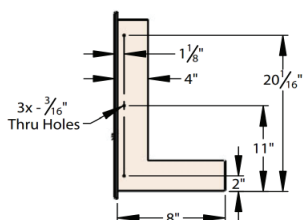
Exploded On-Wall Installation View: FCC-B103-107-16-MOD-HL



Typical Assembly Instructions (Always Install Per Local Code)

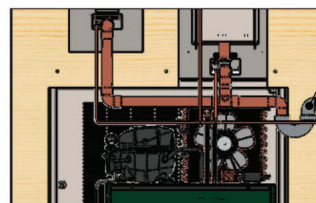
- Cut rough opening per install requirements (rough opening example shown above) and install blocking or fixture carriers as required to support the drinking fountain mounting plate and purifier cabinet in a minimum 8" deep wall.
- Cut a separate rough opening extending below the fountain mounting plate (23" high x 30 1/4" wide maximum rough in opening dimensions).
- Fasten mounting plate over rough opening with 5/16" countersunk lag bolts with bottom of plate 26" above floor to meet ADA fountain height requirement of 34 1/4" to the bubbler spout.
- Install chiller cabinet in rough opening below the mounting plate and slide the cover plate over the mounting plate. Using screws, fasten the cabinet to the mounting surface through the side flange of the cabinet.
- Slide the fountain arms over the horizontal tongues protruding from the mounting plate and fasten with set screws pushing slightly against the cover plate.
- Place B103 bottle filling station in cover plate opening and mount in place using holes located on the side of the B103 frame.
- Install chiller into the cabinet, making sure the side with the electronic temperature controller is facing the door. Do not plug in chiller until Step 11 is completed and tank is full of water.
- Connect supply line to 1/4" FPT connection at stop valve at the purifier.
- Connect drain line to slip coupling unions. Use plumber's tape and crescent wrench to ensure all connections are tight. Connect drain trap per local code.
- Install filter cartridge in housing per instructions on filter.
- Activate bottle filler with push button or sensor until all air in cooler tank and piping is purged out of the filler spout. Check flow by filling 12oz bottle in 15 seconds or less. If required, adjust flow regulator with screw driver per instructions in manual.
- Plug cooler into a 15 amp GFCI circuit after the tank and piping system are completely full of treated water.

Chiller Cabinet Installation Details

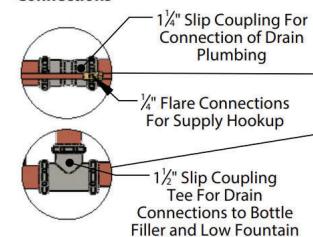


Typical Drain Plumbing Detail (In-Wall Plumbing Provided by Others, Install Per Local Code)

Back View (Cropped)



Connections



Side View (Cropped)

