



B103-107-14-MOD-HL-TM

Recessed Water Bottle Filling Station with High/Low
Non-Recessed Drinking Fountains and In-Wall Taste Master® Purifier



Water bottle filling station*, high/low fountain bowls, support arm and purifier cabinet shown in #4 satin standard stainless steel finish with "Soft Touch" button valve* and bubbler* in mirror finish

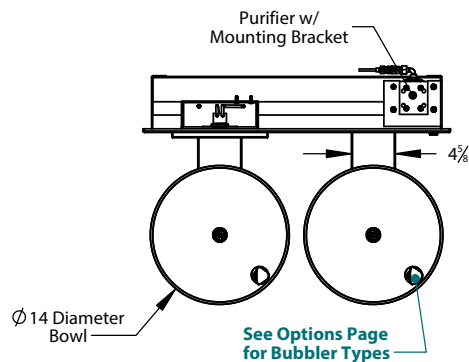
*"Hands Free" option available

Dimensions in drawing subject to options selected.

Features

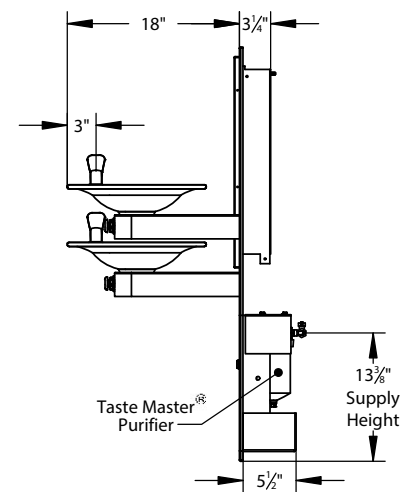
- [2] 14" diameter, 16 ga. fountain bowls
- One-piece cover plate with no seams or exposed edges
- No plastic parts
- 100% made in the USA
- Manufactured with lead-free materials
- Integral drain in bowl for ease of cleaning
- Long-lasting, durable stainless steel water dispenser, promotes refilling of water bottles
- 1/4" steel support arm and wall bracket capable of supporting 500 lbs.
- Options include sensor activation, bottle counters, finishes, bubbler valves and much more...

Top View

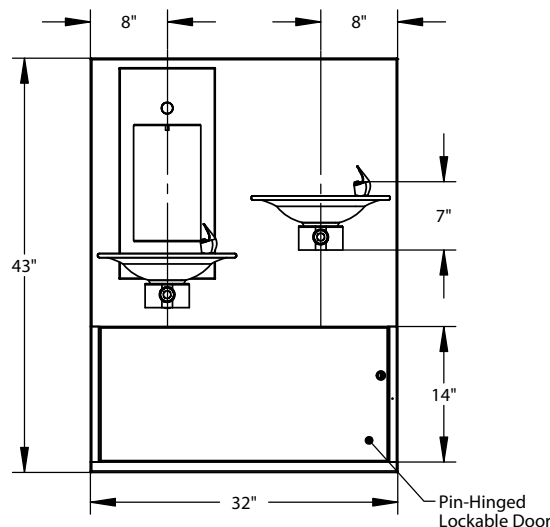


Select Low Fountain Location
 Left [S] Right

Side View



Front View



B103-107-14-MOD-HL-TM Models Include:

TMS1-0.5 Taste Master® Purifier

Construction: stainless steel housing

Element: Carbon block removes particulates, cysts, chlorine, organic odors and taste. Exclusive seal design negates bypassing and leaking.

Recommended Add-ons

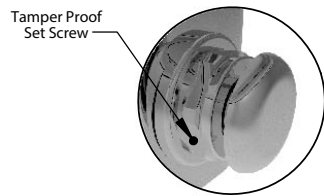
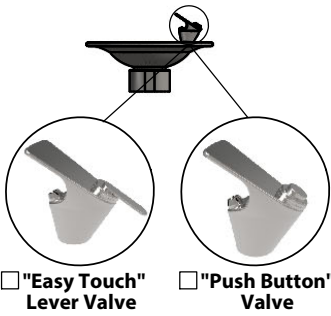
Chiller

Equip your fountain with a Filtrine point-of-use or remote chiller to cool your drinking water. We can help you select the most economical chiller model to fit your demand.

For options, finishes and more see page 2



Fountain Bubbler Controls



Tamper-Resistant Screws in Bubbler and "Soft Touch" Button (if applicable)



"Hands Free" Sensor Activated Bubbler

- Uses 4 x - AA lithium batteries (included), runs approximately 400,000 activation cycles
- Features automatic shutoff (30 sec)
- Helps prevent vandalism and water waste

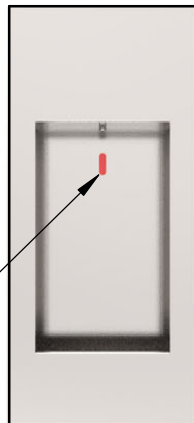
Bottle Filling Station Controls (Check One)

Flush Mounted "Soft Touch" Button Valve [S]



Flush Mount "Soft Touch" Push Button

Optional "Hands Free" Sensor Activated Valve



"Hands Free" Sensor Activator

Optional Bottle Counter

Digital display of approximate number of bottles saved through fountain usage

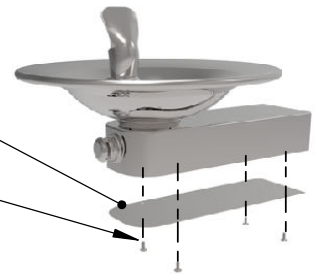
Note: Only available with sensor activation for bottle filling station



Optional Fountain Security Panel

16 ga. Plate Secured with Tamper-Resistant Screws for Added Security

4x-Tamper Resistant Screws



Bottle Filling Station & Fountain Finish (Check One)

- Satin Stainless [S] Mirrored Stainless Satin Bronze Mirrored Bronze Statuary Bronze Oil-Rubbed Bronze

Optional Cover Plate Finish (Check One)

- Satin Stainless [S] Mirrored Stainless Powder Coat _____ Satin Bronze Mirrored Bronze Statuary Bronze Oil-Rubbed Bronze

Stainless

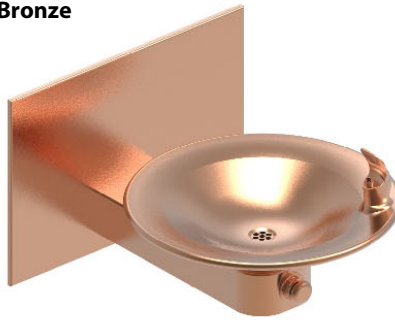


Satin Stainless Steel [S]

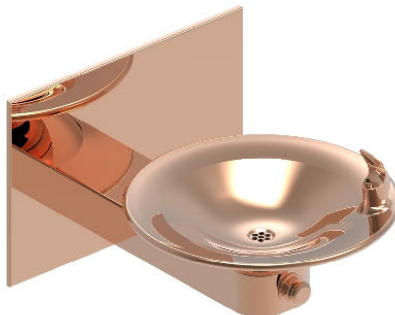


Mirrored Stainless Steel

Bronze



Satin Bronze



Mirrored Bronze

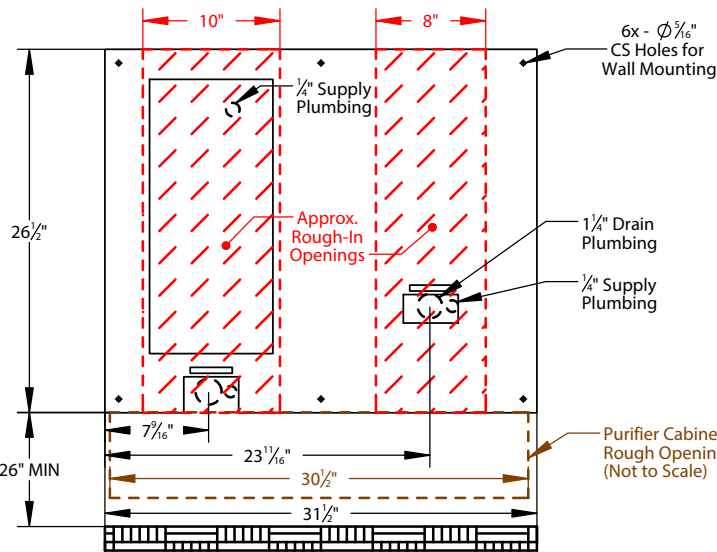


Oil Rubbed Bronze



Statuary Bronze

Mounting Plate Details (Front)



Approximate Rough-In Dimensions (hatched, left)

Model	Height	Width
Right Fountain	26 1/2"	8"
Filling Station and Left Ftn	26 1/2"	10"

Approximate Purifier Cabinet Rough-In Dimensions (outlined, left)

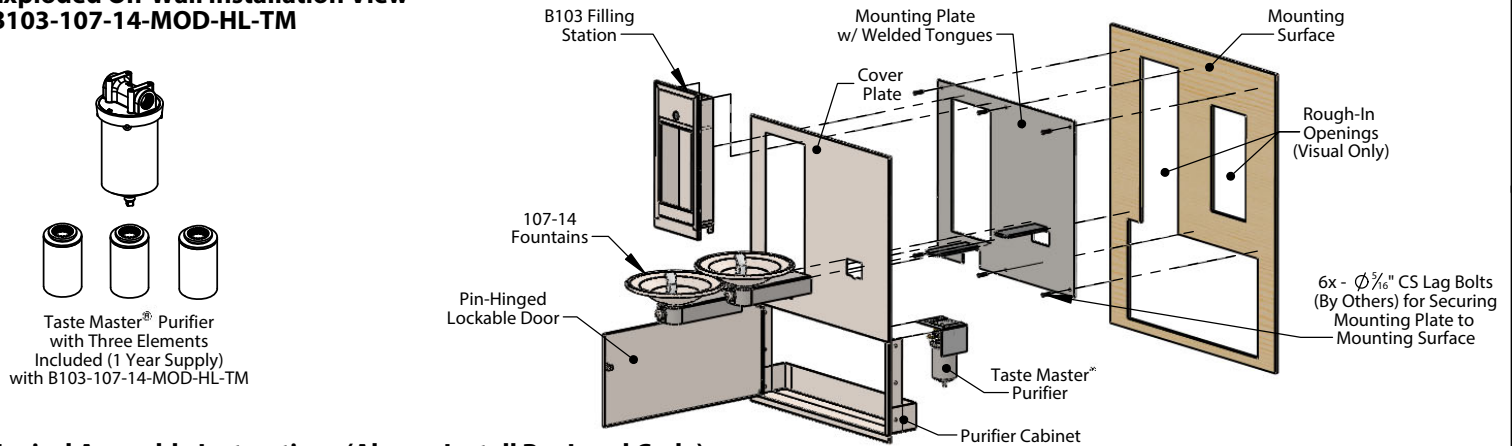
Model	Height	Width
Standard Panel	15 1/2"	30 1/2"

All views shown are for typical installation of B103-107-14-HL-MOD-TM. Views, dimensions and diagrams may change for specific installation requirements.

26" Minimum From Bottom of Mounting Plate to Finish Floor Equals 34 1/4" to Bubbler Spout and 47" to Bottle Filler Spout



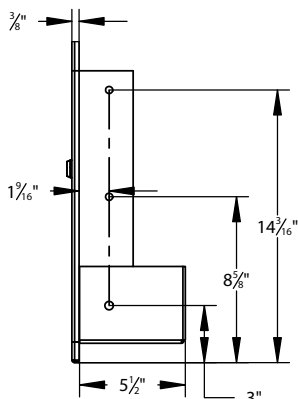
Exploded On-Wall Installation View B103-107-14-MOD-HL-TM



Typical Assembly Instructions (Always Install Per Local Code)

- Cut rough opening for fountain, bottle filler and purifier cabinet as shown above and install blocking or fixture carrier as required to support the assembly.
- Fasten mounting plate over rough opening with 5/16" countersunk lag bolts with bottom of plate 26" above the floor to meet ADA fountain height requirements.
- Install cover plate and cabinet over the mounting plate. Using lag screws secure cabinet to the blocking or mounting surface through the side flange of the cabinet.
- Place B103 bottle filling station in cover plate opening and mount in place using holes located on the side of the B103 frame.
- Slide the 107-14 fountains over the horizontal tongues protruding from the mounting plate and fasten arms with set screws pushing slightly against the cover plate or finished wall.
- Connect drain lines to slip coupling and connect supply water connections.
- Connect water to 1/4" FPT connection of stop valve at purifier inlet. Use plumber's tape and crescent wrench to ensure all connections are tight.
- Install filter cartridge in housing per instructions on filter. Open stop valve to fill filter housing and purge air out the vent.
- Test water flow from the filler valve. Water should fill a 12oz bottle in 15 seconds or less. Adjust flow at regulator if required with straight screw driver.

Purifier Cabinet Dimensions



Typical Drain Plumbing Detail (In-Wall Plumbing Provided By Others, Install Per Local Code)

