



Filtrine Drinking Water Non-Recessed Fountain Options

[S] - Standard

- ADA Compliant

Standard Security Panel and Vandal Proof Bubbler [S]



"Soft Touch" Button and Projector Bubbler with Recessed Set Screws



16 ga. Plate Secured with Tamper-Resistant Screws for Added Security

Standard Bubbler Controls



Remote "Soft Touch" Button Valve [S]

Tamper-Resistant Screws in Bubbler and "Soft Touch" Button (if applicable)

Bottle Filling Station Controls

Flush Mounted "Soft Touch" Push Button [S]



Optional "Hands Free" Sensor Activated Valve



• Features automatic shutoff with [20] second delay
"Hands Free" Sensor Activator

- Optional Bottle Counter
- Optional Bottle Decal
- Optional Downlight

Power Supply Options:
(Choose only one)

- Connect 12v Transformer to A/C Power Supply [S] or
- Use 12v Wall Plug

120/60/1 Voltage Required

Optional Bottle Counter

Note: Only available with Hands Free units



• Digital display of approximate number of bottles saved through filler usage

Optional "Hands Free" Fountain Sensor Activated Bubbler

Include "Hands Free" Bubbler

- Features automatic shutoff with [20] second delay
- Helps prevent vandalism and water waste

*120/60/1 voltage required

"Hands Free" Sensor Activator



Other options are available, please contact the factory for more choices.

Vandal Proof Option: Yes [S] No

Bubbler Options:



F-507

All finish options available



F-501



F-501-L



F-502

Available in:
Stainless Steel,
Oil-Rubbed Bronze,
or Any Powder Coat
Options

Fountain Finish (Check One)

- Satin Stainless [S] Satin Bronze Statuary Bronze Oil-Rubbed Bronze Oil-Rubbed Bronze Powder Coat Powder Coat _____

Optional Cover Plate Finish (Check One)

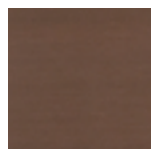
- Satin Stainless [S] Satin Bronze Statuary Bronze Oil-Rubbed Bronze Oil-Rubbed Bronze Powder Coat Powder Coat _____



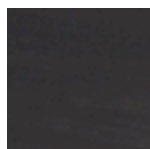
Satin Stainless Steel [S]



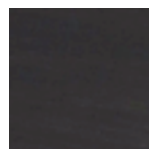
Satin Bronze



Statuary Bronze



Oil Rubbed Bronze



Oil Rubbed Bronze Powder Coat
(Applied to Stainless Steel)



Powder Coat

Filtrine Mfg. Co. • 15 Kit St. Keene, NH 03431 USA
800-930-3367 • 603-352-5500 • FAX 603-352-0330
www.filtrine.com • drinking_water@filtrine.com



FILTRINE IS ISO 9001:2015 CERTIFIED BY NSAI
PRODUCT LINE APPROVED MARK AVAILABLE

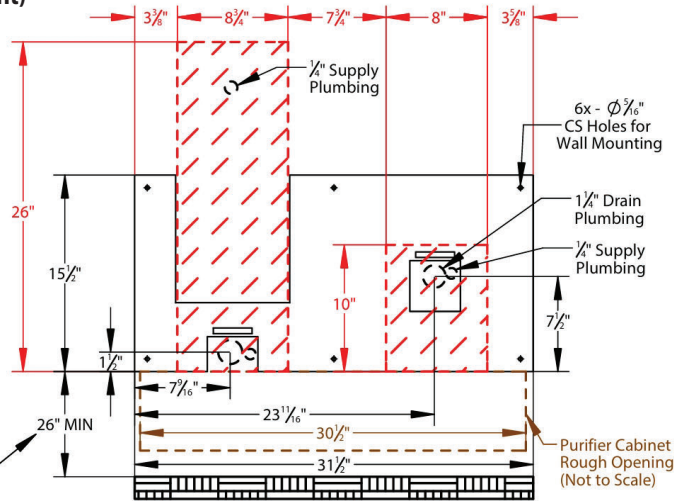


B103-107-14-MOD-HL-TM [EB]

REVISED
05.13.26

B103-107-14-MOD-HL-TM Installation Drawings

Mounting Plate Details (Front)



Mounting Plate Rough-In Dimensions (hatched, left)

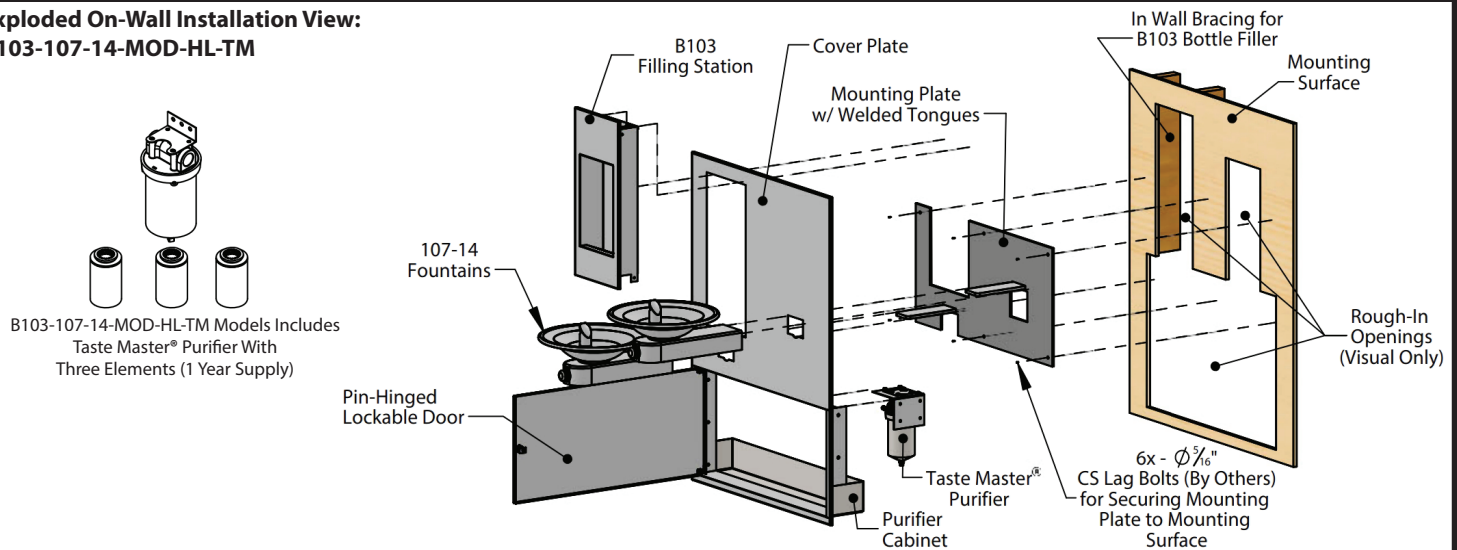
MODEL	HEIGHT	WIDTH	DEPTH
107-Fountain	10"	8"	N/A
B103-107-MOD	26"	8 3/4"	4"

Access Panel Rough-In Dimensions (hatched, left)

MODEL	HEIGHT	WIDTH	DEPTH
Chiller Cabinet	15 1/2"	30 1/2"	4"

All views shown are for typical installation of B103-107-14-MOD-HL-TM. Views, dimensions and diagrams may change for specific installation requirements

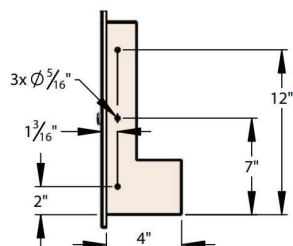
Exploded On-Wall Installation View: B103-107-14-MOD-HL-TM



Typical Assembly Instructions (Always Install Per Local Code)

1. Cut rough opening per install requirements (rough opening example shown above) and install blocking or fixture carriers as required to support the drinking fountain mounting plate and purifier cabinet in a minimum 4" deep wall.
2. Run drain piping to center of openings on mounting plate (dimensioned above), and install drain trap(s) in wall per local code.
3. Fasten mounting plate to mounting surface over rough opening with 5/16" countersunk lag bolts with bottom of plate 26" above the floor to meet ADA fountain height requirement of 34 1/4" to the bubbler spout.
4. Install cover plate including the purifier cabinet over the mounting plate. Using lag screws, fasten the cabinet to the blocking or the mounting surface through the side flange of the cabinet.
5. Place B103 bottle filling station in cover plate opening and mount in place using holes located on the side of the B103 frame.
6. Slide the 107 fountain arm over the horizontal tongue protruding from the mounting plate and fasten arm with set screws pushing slightly against the cover plate or wall.
7. Connect drain lines to slip coupling tee and connect supply water connections.
8. Connect building water line to 1/4" FPT connection of stop valve at purifier inlet. Use plumber's tape and crescent wrench to ensure all connections are tight.
9. Install filter cartridge in housing per instructions on filter. Open stop valve to fill filter housing. Activate bubbler and hold until all air in the line is purged.
10. Test water flow from B103 filler spout. Water should fill a 12oz bottle in 15 seconds or less. Adjust flow at regulator if required with screw driver.

Purifier Cabinet Installation Details



Typical Drain Plumbing Detail (In-Wall Plumbing Provided by Others, Install Per Local Code)

