



# FC-107-16-HHL

Non-Recessed, Tri-Bowl Drinking Fountain with In-Wall Chiller and Taste Master® Purifier



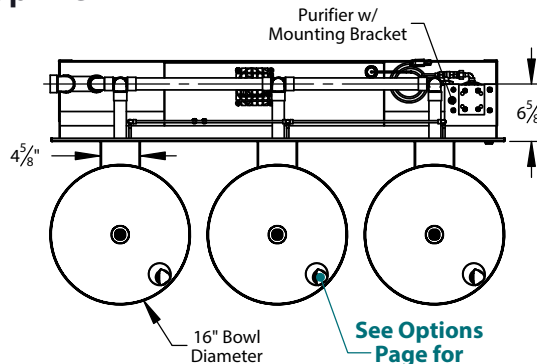
Fountain bowl, cover plate and chiller cabinet shown in standard stainless steel satin finish with "Soft Touch" button valves and bubblers in mirror finish

Dimensions in drawing subject to options selected.

## Features

- [3] 16" diameter, 16 ga. fountain bowls
- No plastic parts
- 100% made in the USA
- Manufactured with lead-free materials
- Integral drain in bowl for ease of cleaning
- 1/4" steel support arm and wall bracket capable of supporting 500 lbs.
- Matching cover plate and cabinet finishes including unlimited powder coat colors
- Options include vandal proof bubblers, bottle fillers, bottle counters, finishes, bubbler valves, and more...

## Top View



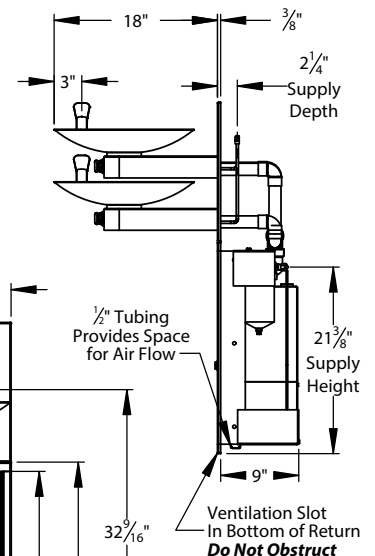
## Select Low Fountain Location

- Left [S]     Right

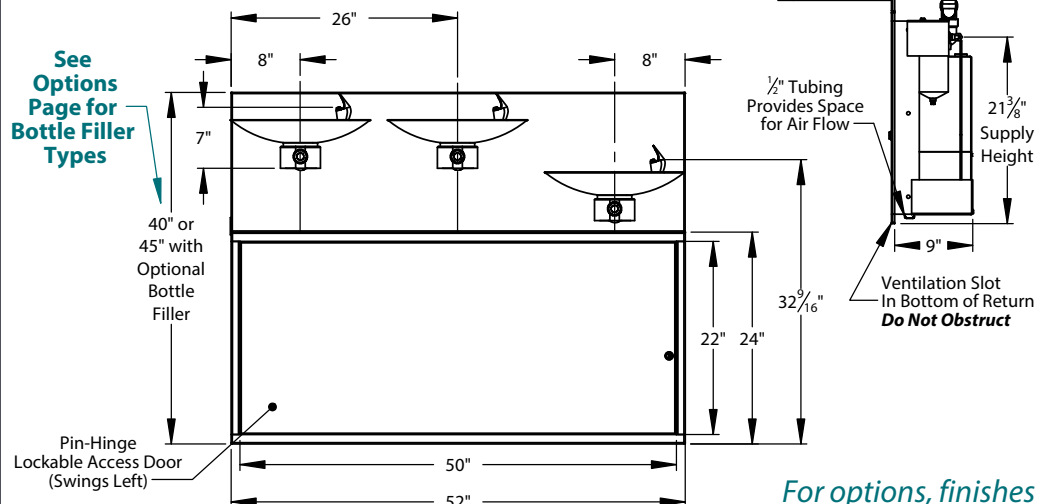
Rough-in Depth  
Drain Location

NOTE:  
Install Chiller in Stud Wall with Minimum 6" x 18" Opening for Exhaust into Plenum Above.

## Side View



## Front View



For options, finishes and more see page 2

## FC-107-16-HHL Models Include:

### Chiller: Model 56NL

- Water in: 1/4" FPT
- Cooling Capacity: 5 GPH @ 50°F [10°C]\*
- Storage: 2 gal, insulated stainless steel tank
- Refrigerant: HFO R513A "Ozone Safe - Low GWP"
- Electrical: 115/60/1 or specify \_\_\_\_\_

\*Higher capacity chillers are available consult factory for correct model #s.

### Purifier: Taste Master® TMS1-0.5

- Construction: Stainless steel housing
- Element: Carbon block removes particulates, cysts, chlorine, organic odors and tastes. Exclusive seal design negates bypassing and leaking.



**Optional Vandal Proof Bottle Filler** (Choose only one optional filler)

- "Soft Touch" Valve     Sensor Activation\*
- Bottle Rest - Located above lowest bowl for reduced splash and one handed operation
- Bottle Counter - Digital display of approx. number of bottles saved through fountain usage  
*Note: Only available with sensor activation*



- Mounted 10" above lowest fountain bowl.
- Comes standard with bottom security panel assembled with tamper proof screws.
- Requires larger cover plate and mounting plate.
- Supply plumbing and mounting tongue for filler provided by Filtrine.

\*Not available with sensor activated bubbler on same bowl.

**Optional Integral "Push Back" Lever Bottle Filler** (Choose only one optional filler)

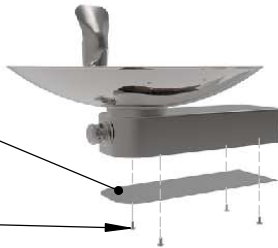
- Mounted 10" above lowest fountain bowl.
- Requires larger cover and mounting plates.
- Easy-to-use stainless steel "push back" lever.
- Supply plumbing and mounting fitting for filler provided by Filtrine.



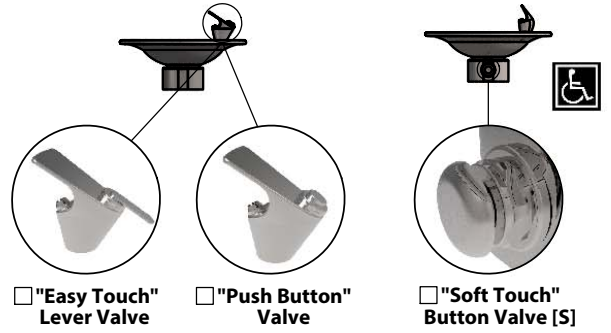
**Optional Security Panel**

16 ga. Plate Secured with Tamper-Resistant Screws for Added Security

4x-Tamper Resistant Screws

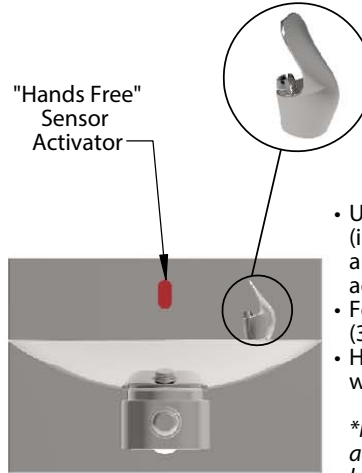


**Bubbler Controls** (Check One)



- "Easy Touch" Lever Valve
- "Push Button" Valve
- "Soft Touch" Button Valve [S]

**Optional Fountain Sensor Activated Bubbler\***



"Hands Free" Sensor Activator

- Uses 4x -AA lithium batteries (included), runs approximately 400,000 activation cycles.
- Features automatic shutoff (30 sec).
- Helps prevent vandalism and water waste.

\*Not available with sensor activated bottle filler on same bowl.

**Fountain Finish** (Check One)

- Satin Stainless [S]     Mirrored Stainless     Satin Bronze     Mirrored Bronze     Statuary Bronze     Oil-Rubbed Bronze

**Cover Plate Finish** (Check One)

- Satin Stainless [S]     Mirrored Stainless     Powder Coat \_\_\_\_\_     Satin Bronze     Mirrored Bronze     Statuary Bronze     Oil-Rubbed Bronze

**Stainless**



Satin Stainless Steel [S]



Mirrored Stainless Steel

**Bronze**



Satin Bronze



Mirrored Bronze



Oil Rubbed Bronze

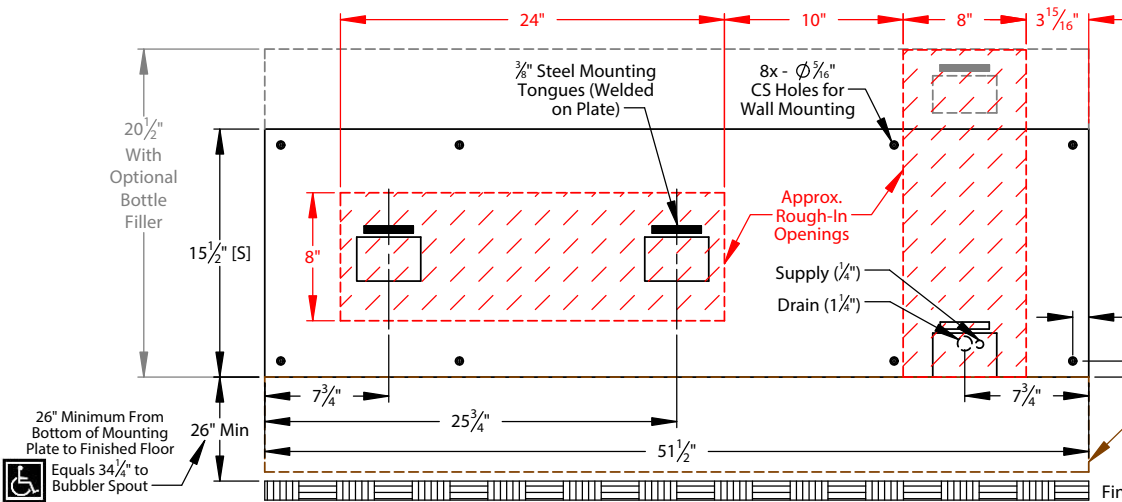


Statuary Bronze



# Model FC-107-16-HHL Drinking Water Installation Drawing

## Mounting Plate Details (Front)



### Approximate Rough-In Dimensions (hatched, left)

Model	Height	Width
Standard Plate	15 1/2"	8"
Bottle Filler Plate	20 1/2"	8"

### Approximate Chiller Cabinet Rough-In Dimensions (outlined, left)

Model	Height	Width
Standard Cabinet*	23"	50 1/2"

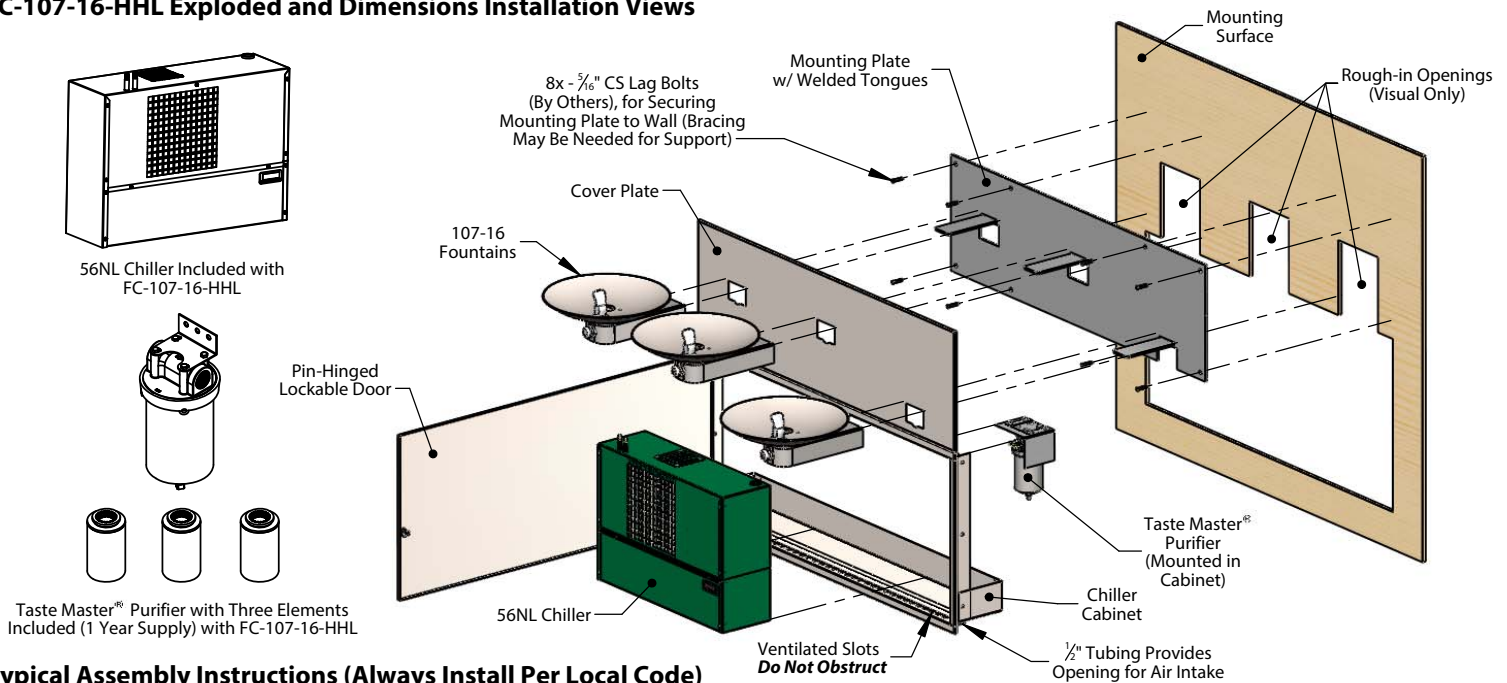
\*If height specified, rough-in height will be 1/2" less than specified height

All views shown are for typical installation of FC-107-16 HHL. Views, dimensions and diagrams may change for specific installation requirements



26" Minimum From Bottom of Mounting Plate to Finished Floor  
Equals 34 1/4" to Bubbler Spout

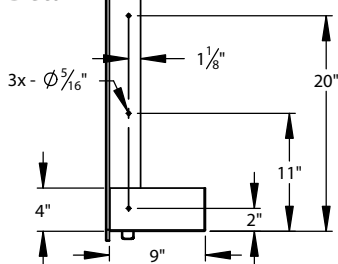
## FC-107-16-HHL Exploded and Dimensions Installation Views



## Typical Assembly Instructions (Always Install Per Local Code)

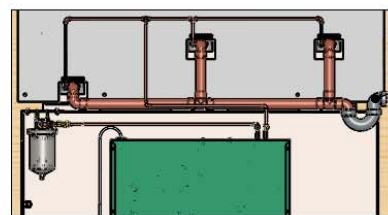
1. Cut fountain rough openings per install requirements (rough opening example shown above) and install blocking or fixture carriers as required to support the drinking fountain mounting plate and chiller cabinet in a minimum 10" deep wall.
2. Cut a separate rough opening extending below the fountain mounting plate, 23" high x 50 1/2" wide maximum rough in opening dimensions.
3. Run drain piping to center of openings on mounting plate (dimensioned above), and install drain trap(s) in wall per local code.
4. Run supply water line to mounted Taste Master® filter housing.
5. If optional bottle filler is included with order, attach piping assembly provided by Filtrine to the back side of the mounting plate with two screws and rubber gasket for standard bottle filler and flare connection for vandal proof bottle filler.
6. Fasten mounting plate to mounting surface over rough opening with 5/16" countersunk lag bolts with bottom of plate 26" above the floor to meet ADA fountain height requirement of 34 1/4" to the bubbler spout.
7. Install chiller cabinet in rough opening below the mounting plate using 3/16" holes in the side flange of the cabinet. Chiller cabinet should be located approx. 1/4" below and centered with the mounting plate above.
8. Install cover plate over mounting plate, and slide each fountain and vandal proof bottle filler arm (if ordered) over the horizontal tongues protruding from the mounting plate and fasten arms with set screws pushing slightly against the cover plate.
9. Connect drain line to slip coupling at each fountain and connect supply line to filter housing.

## Chiller Cabinet Mounting Detail

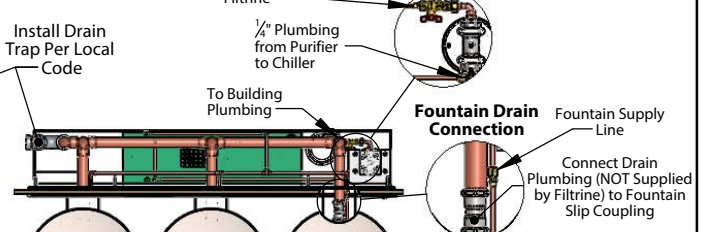


## Typical Drain Plumbing Detail (In-Wall Drain Plumbing Provided By Others, Install Per Local Code)

### Back View (Cropped)



### Top View (Cropped)



Unions, Elbows, and Adapters for Taste Master® Purifier Provided by Filtrine

