

Sensor Activated Bottle Filler Maintenance Instructions

Water Flow Adjustment:

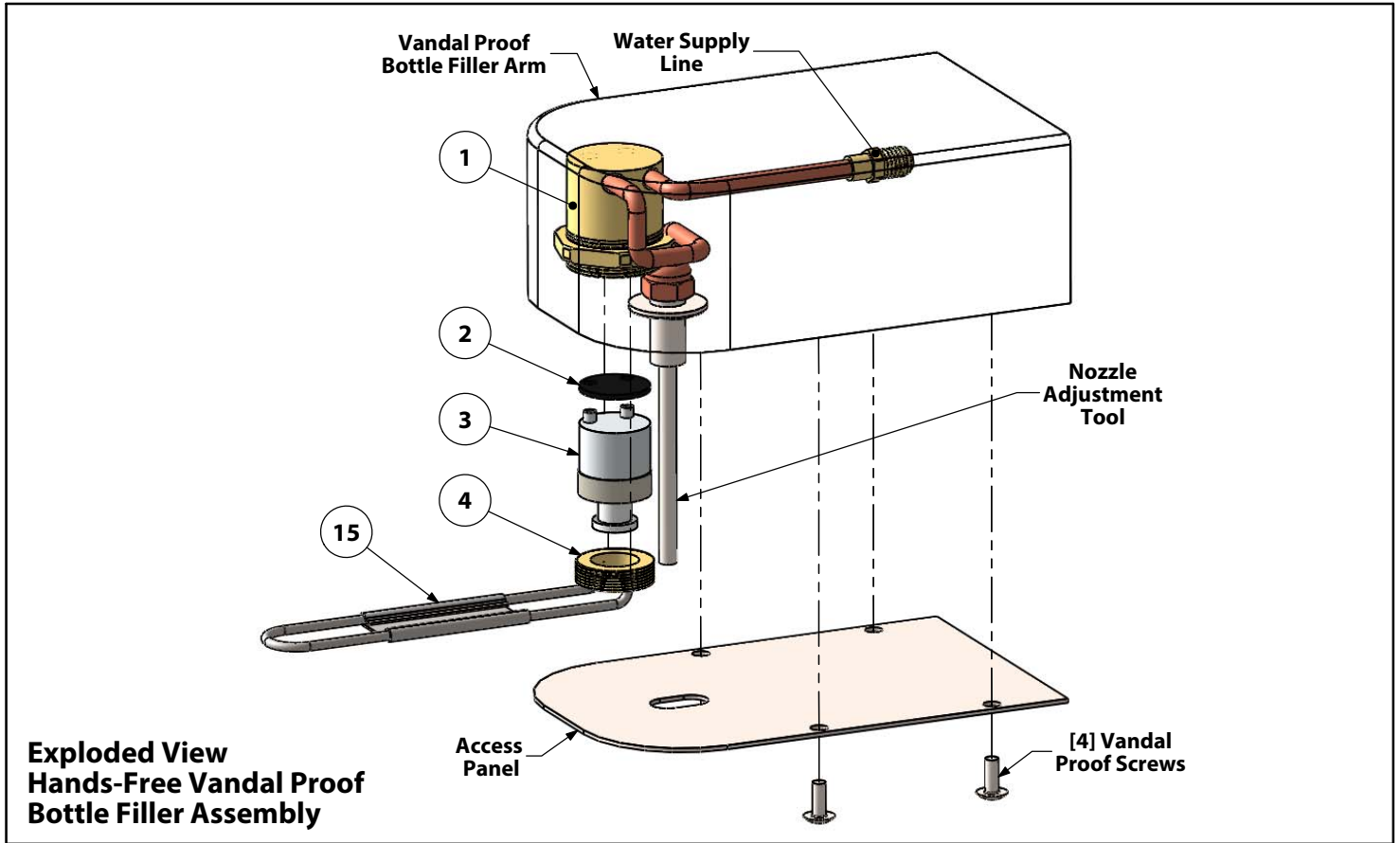
1. To adjust the flow of the bottle filler, remove security plate from bottom of arm with "snake eye" tool provided.
2. Turn white screw head on flow regulator cartridge clockwise with straight screwdriver to decrease flow and counterclockwise to increase flow.
3. To redirect bottle filler stream and reduce chance of splashing, insert tool provided into copper tube outlet bending it slightly toward the bowl drain or bottle rest opening if provided.

Sensor Adjustment:

1. To adjust the distance of the sensor intensity, remove two jackman screws holding the 6" access panel below fountain or open the hinged access door under the fountain if provided.
2. Remove the cover from the sensor box as shown in assembly drawing.
3. Turn yellow phillips head screw on control module circuit board clockwise to lengthen distance and counter clockwise to shorten it.

DRAWING PART NO.	DESCRIPTION	ORDER PART NO.
1	REGULATOR CARTRIDGE ASSEMBLY	45.0006
2	SENSOR	6.1714
	RED LENSE	6.1717
3	BATTERY BOX	6.1712
	AA LITHIUM BATTERIES - 4 PACK	51.0592
4	CONTROL MODULE	6.1716
5	SOLENOID VALVE	6.1708
ASSEMBLY	COMPLETE SENSOR KIT (PARTS 2-5)	6.1709

Hands-Free Vandal Proof Bottle Filler Installation Assembly and Parts List



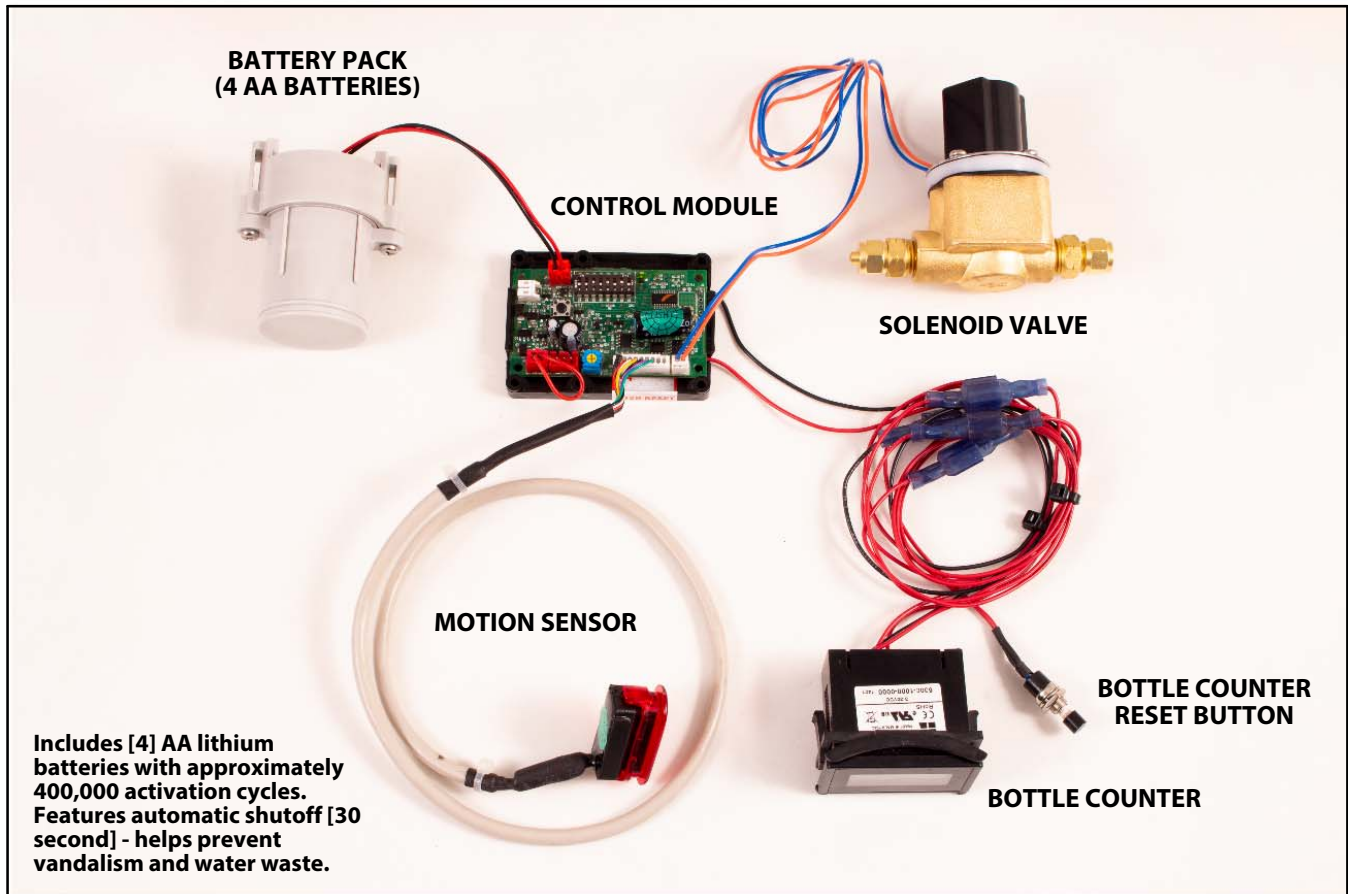
**Exploded View
Hands-Free Vandal Proof
Bottle Filler Assembly**

Cartridge Regulator Replacement Instructions

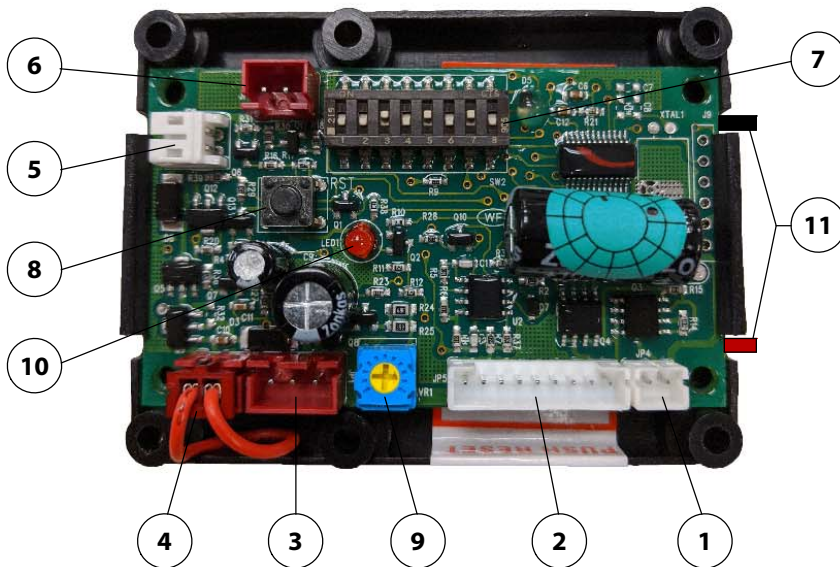
1. Remove access panel on the underside of bottle filler arm.
2. Turn off water to the fixture and depress button to drain water left in the supply line.
3. Using spanner wrench or needle nose pliers, unscrew the brass regulator retaining ring.
4. Gently wiggle cartridge back and forth to free and remove it from the brass valve assembly body.
5. Check to ensure that the old neoprene seal was also removed from the valve assembly body.
6. Install new neoprene seal on the new cartridge regulator and install new assembly into the valve assembly body, ensuring inlet and outlet holes on the cartridge are lined up and the cartridge is seated properly in the valve body.
7. Reinstall the regulator retaining ring, and tighten using the spanner wrench or needle nose pliers.
8. Turn on water to fixture and test for flow and leaks by pushing plunger with flat screwdriver.
9. Reinstall access panel on the underside of bottle filler arm.
10. Insert $\frac{1}{8}$ " dia. pipe provided or small screwdriver into copper nozzle of bottle filler. Adjust the pipe towards the middle of the bowl to reduce chance of splashing.

DRAWING PART NO.	DESCRIPTION	ORDER PART NO.
1	VALVE ASSEMBLY BODY - BRASS	45.0157C
2	NEOPRENE SEAL	45.0053
3	REGULATOR CARTRIDGE ASSEMBLY	
4	REGULATOR RETAINING RING - BRASS	45.0008
15	SPANNER WRENCH	45.0017

"Hands-Free" Sensor Activation Components For Filtrine Drinking Fountains



"Hands-Free" Control Module Diagram



"Hands-Free" Control Module Instructions

1. To adjust sensor length, turn the sensor adjustment screw (9)
2. Turn clockwise to lengthen the sensor distance
3. Turn counterclockwise to shorten the sensor distance

CONTROL MODULE LEGEND	
1	SOLENOID PIN RECEPTOR
2	CONTROL CABLE (SENSOR EYE) PIN RECEPTOR
3	AC INPUT PIN RECEPTOR
4	DC INPUT PIN RECEPTOR
5	ELECTRO-MECHANICAL PUSH BUTTON PIN RECEPTOR
6	BATTERY PACK INPUT RECEPTOR (DC)
7	DIP SWITCHES
8	RESET BUTTON
9	SENSOR DISTANCE ADJUSTMENT SCREW
10	RED LED LIGHT
11	CABLES TO BOTTLE COUNTER