



FCC-107-14-HHL

Non-Recessed, Tri-Bowl Drinking Fountain
with In-Wall Chiller and Taste Master® Purifier



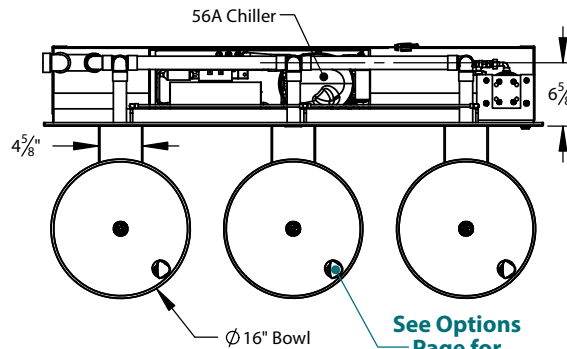
Fountain bowl, cover plate and chiller cabinet shown in standard stainless steel satin finish with "Soft Touch" button valves and bubblers in mirror finish

Dimensions in drawing subject to options selected.

Features

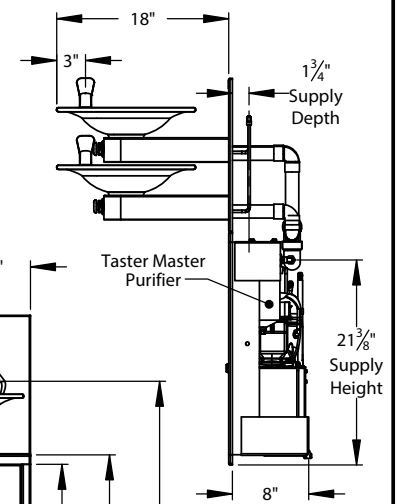
- [3] 14" diameter, 16 ga. fountain bowls
- No plastic parts
- 100% made in the USA
- Manufactured with lead-free materials
- Integral drain in bowl for ease of cleaning
- 1/4" steel support arm and wall bracket capable of supporting 500 lbs.
- Matching cover plate and cabinet finishes including unlimited powder coat colors
- Options include vandal proof bubblers, bottle fillers, bottle counters, finishes, bubbler valves, and more...

Top View

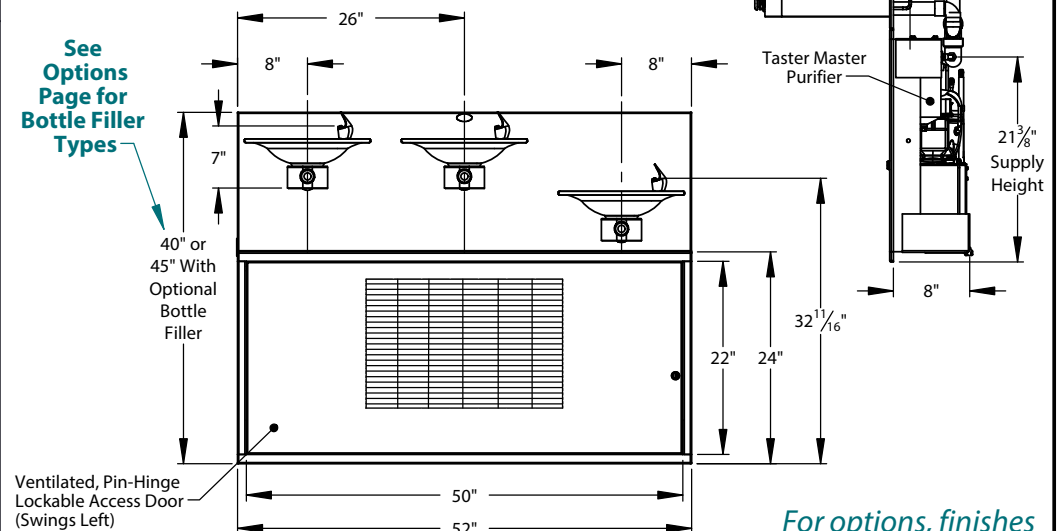


Select Low Fountain Location
 Left [S] Right

Side View



Front View



FCC-107-14-HHL Models Include:

Chiller: Model 56A

- Water in: 1/4" FPT
- Cooling Capacity: 6 GPH @ 50°F [10°C]*
- Storage: 2 gal, insulated stainless steel tank
- Refrigerant: HFO R513A "Ozone Safe - Low GWP"
- Electrical: 115/60/1 or specify _____

*Higher capacity chillers are available consult factory for correct model #s.

Purifier: Taste Master® TMS1-0.5

- Construction: Stainless steel housing
- Element: Carbon block removes particulates, cysts, chlorine, organic odors and tastes. Exclusive seal design negates bypassing and leaking.





Filtrine Drinking Water Non-Recessed Fountain Options

[S] - Standard
[S] - ADA compliant

Optional Vandal Proof Bottle Filler (Choose only one optional filler)

- "Soft Touch" Valve Sensor Activation*
- Bottle Rest - Located above lowest bowl for reduced splash and one handed operation
- Bottle Counter - Digital display of approx. number of bottles saved through fountain usage
Note: Only available with sensor activation



- Mounted 10" above lowest fountain bowl.
- Comes standard with bottom security panel assembled with tamper proof screws.
- Requires larger cover plate and mounting plate.
- Supply plumbing and mounting tongue for filler provided by Filtrine.

*Not available with sensor activated bubbler on same bowl.

Optional Integral "Push Back" Lever Bottle Filler (Choose only one optional filler)

- Mounted 10" above lowest fountain bowl.
- Requires larger cover and mounting plates.
- Easy-to-use stainless steel "push back" lever.
- Supply plumbing and mounting fitting for filler provided by Filtrine.



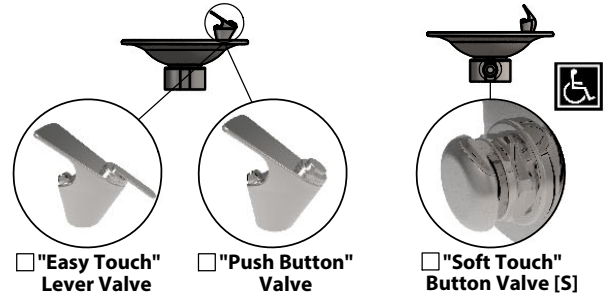
Optional Security Panel

16 ga. Plate Secured with Tamper-Resistant Screws for Added Security

4x-Tamper-Resistant Screws



Bubbler Controls (Check One)



- "Easy Touch" Lever Valve
- "Push Button" Valve
- "Soft Touch" Button Valve [S]

Optional Fountain Sensor Activated Bubbler*



- Uses 4x-AA lithium batteries (included), runs approximately 400,000 activation cycles.
- Features automatic shutoff (30 sec).
- Helps prevent vandalism and water waste.

*Not available with sensor activated bottle filler on same bowl.

Fountain Finish (Check One)

- Satin Stainless [S] Mirrored Stainless Satin Bronze Mirrored Bronze Statuary Bronze Oil-Rubbed Bronze

Cover Plate Finish (Check One)

- Satin Stainless [S] Mirrored Stainless Powder Coat _____ Satin Bronze Mirrored Bronze Statuary Bronze Oil-Rubbed Bronze

Stainless



Satin Stainless Steel [S]

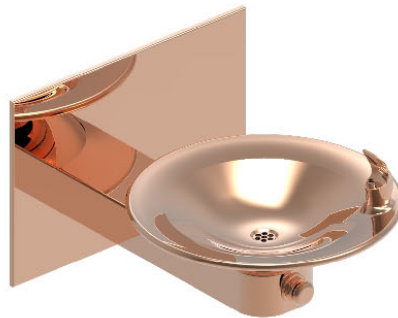


Mirrored Stainless Steel

Bronze



Satin Bronze



Mirrored Bronze



Oil Rubbed Bronze



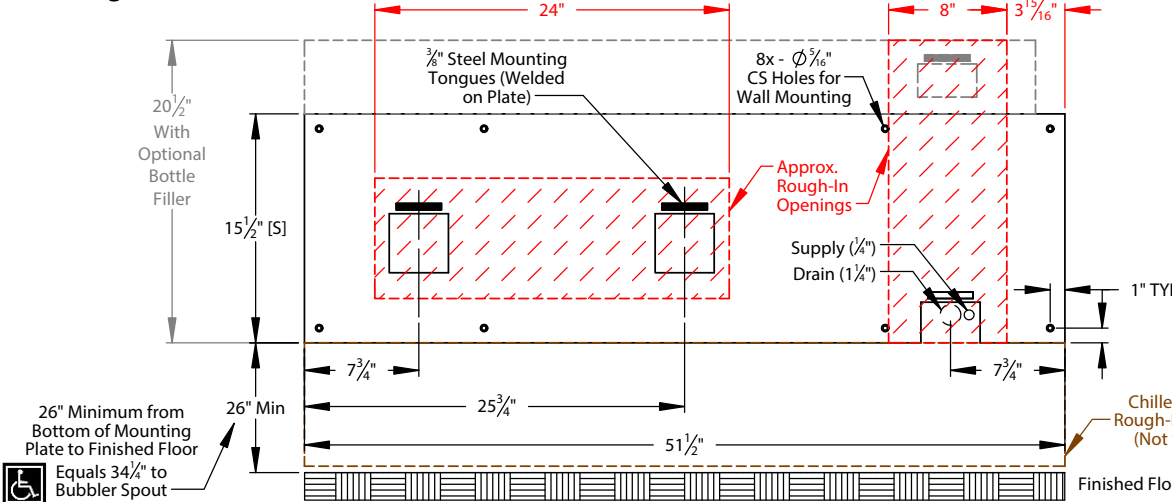
Statuary Bronze





Model FCC-107-14-HHL Drinking Water Installation Drawing

Mounting Plate Details (Front)



Approximate Rough-In Dimensions (hatched, left)

Model	Height	Width
Standard Plate	15 1/2"	8"
Bottle Filler Plate	20 1/2"	8"

Approximate Chiller Cabinet Rough-In Dimensions (outlined, left)

Model	Height	Width
Standard Cabinet*	23"	50 1/2"

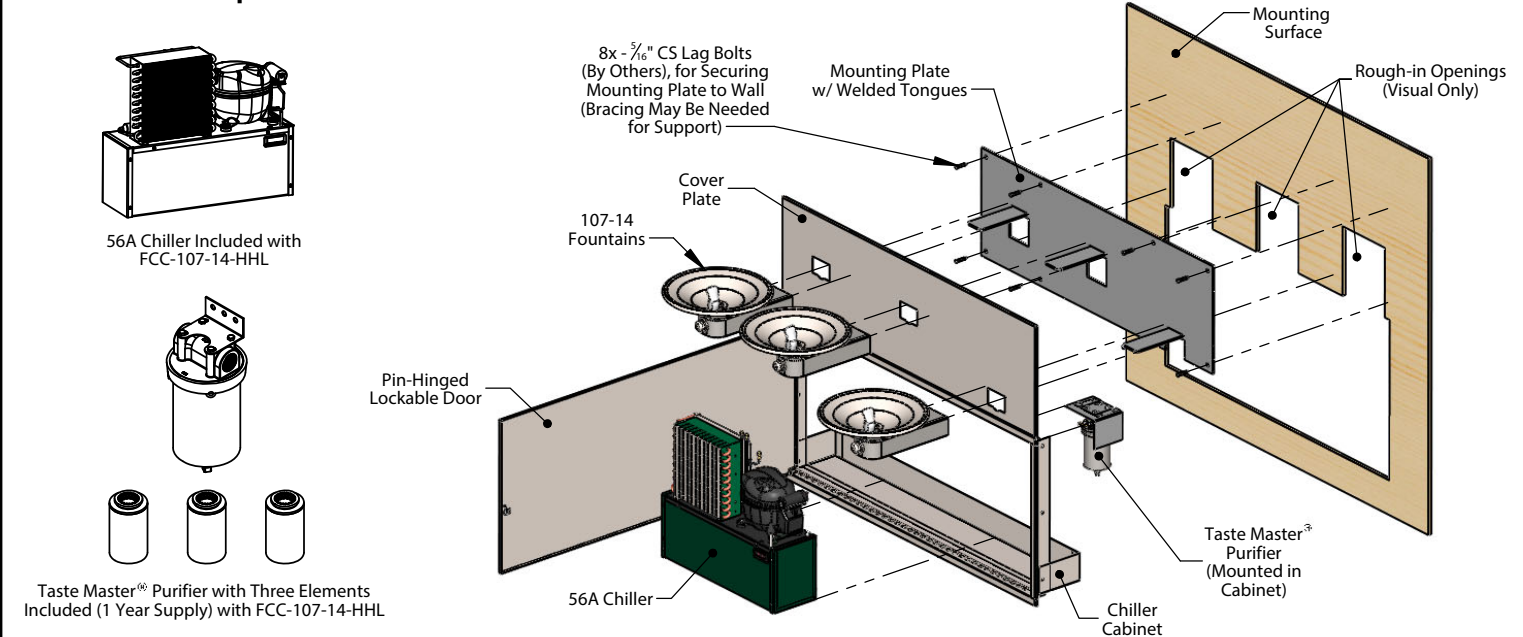
*If height specified, rough-in height will be 1/2" less than specified height

All views shown are for typical installation of FCC-107-14-HHL. Views, dimensions and diagrams may change for specific installation requirements



26" Minimum from Bottom of Mounting Plate to Finished Floor Equals 34 1/4" to Bubbler Spout

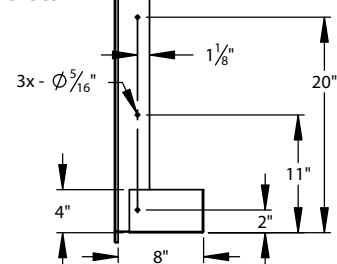
FCC-107-14-HHL Exploded and Dimensions Installation Views



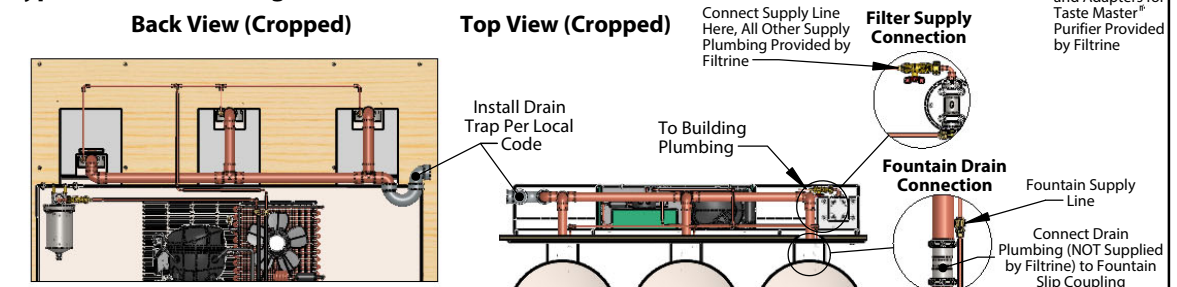
Typical Assembly Instructions (Always Install Per Local Code)

1. Cut fountain rough openings per install requirements (rough opening example shown above) and install blocking or fixture carriers as required to support the drinking fountain mounting plate and chiller cabinet in a minimum 10" deep wall.
2. Cut a separate rough opening extending below the fountain mounting plate, 23" high x 50 1/2" wide maximum rough in opening dimensions.
3. Run drain piping to center of openings on mounting plate (dimensioned above), and install drain trap(s) in wall per local code.
4. Run supply water line to mounted Taste Master® filter housing.
5. If optional bottle filler is included with order, attach piping assembly provided by Filtrine to the back side of the mounting plate with two screws and rubber gasket for standard bottle filler and flare connection for vandal proof bottle filler.
6. Fasten mounting plate to mounting surface over rough opening with 5/16" countersunk lag bolts with bottom of plate 26" above the floor to meet ADA fountain height requirement of 34 1/4" to the bubbler spout.
7. Install chiller cabinet in rough opening below the mounting plate using 3/16" holes in the side flange of the cabinet. Chiller cabinet should be located approx. 1/4" below and centered with the mounting plate above.
8. Install cover plate over mounting plate, and slide each fountain and vandal proof bottle filler arm (if ordered) over the horizontal tongues protruding from the mounting plate and fasten arms with set screws pushing slightly against the cover plate.
9. Connect drain line to slip coupling at each fountain and connect supply line to filter housing.

Chiller Cabinet Mounting Detail



Typical Drain Plumbing Detail (In-Wall Drain Plumbing Provided By Others, Install Per Local Code)



Unions, Elbows, and Adapters for Taste Master® Purifier Provided by Filtrine

