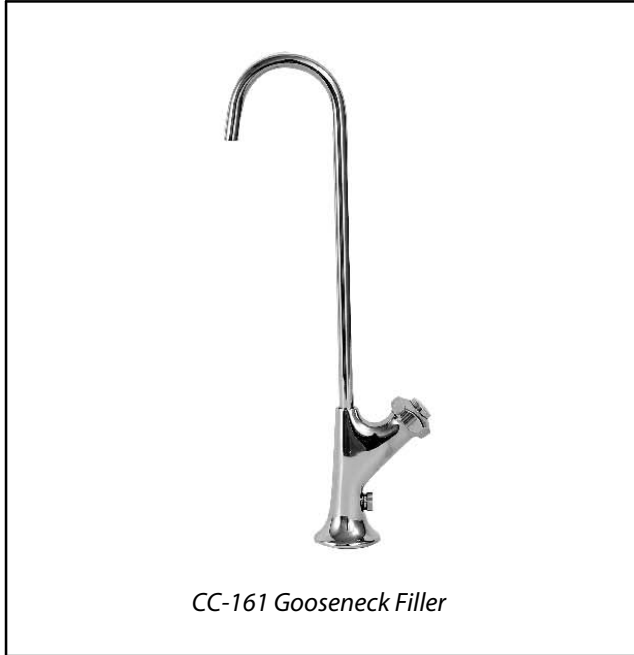


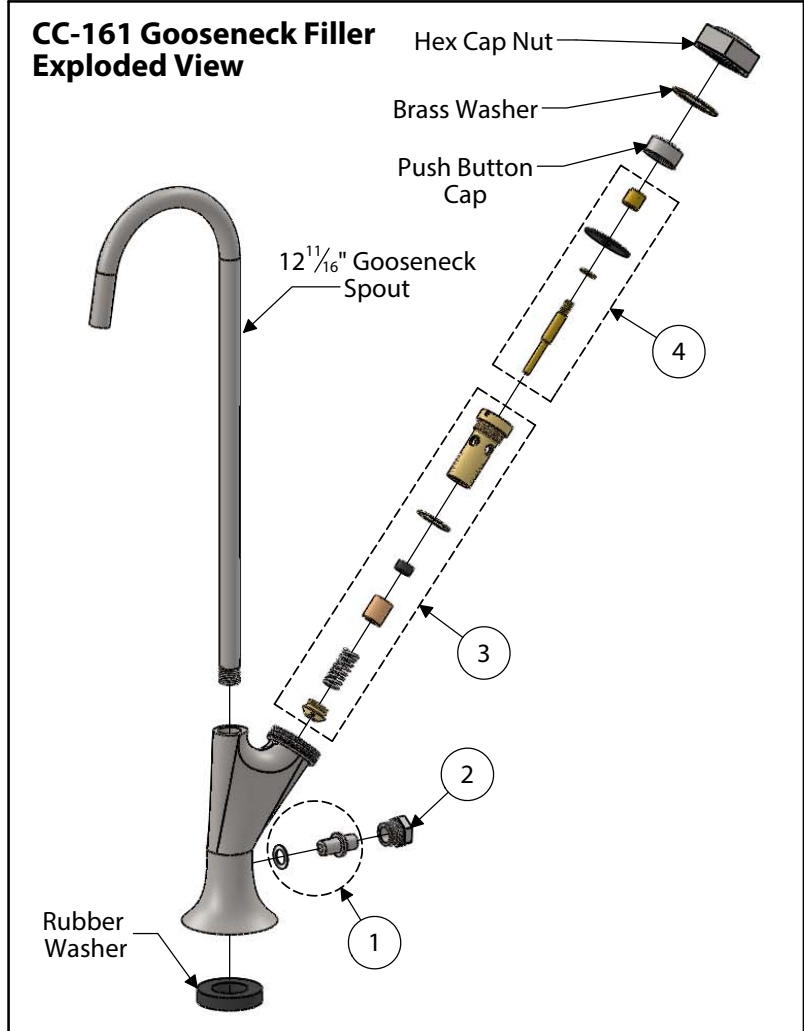
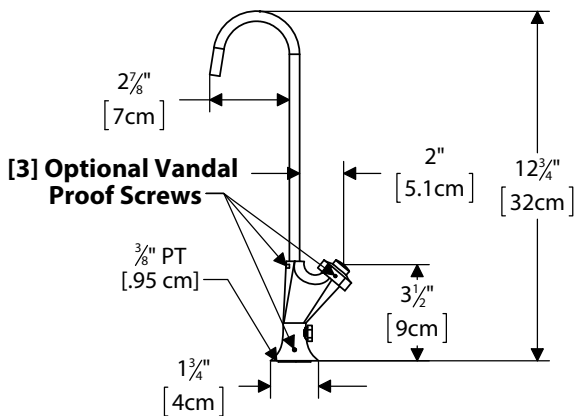
CC-161 Gooseneck Filler with Push Button Valve and Optional VP Screws



CC-161 Installation Instructions

1. Put plumber's tape on all threaded connections of gooseneck filler assembly (supplied by others).
2. Insert rubber washer (supplied by factory) into base of gooseneck assembly.
3. Screw $\frac{3}{8}$ " running threaded pipe (by others) into filler base.
4. Insert assembly into $\frac{3}{4}$ " mounting hole.
5. Add washer and nut (supplied by others) on bottom of mounting surface. Secure filler to surface by tightening nut.
6. Connect water supply. Turn on the water to the valve and insure the flow stream will fill a 12oz bottle within 15 seconds.

CC-161 Dimensions



DRAWING PART NO.	DESCRIPTION	ORDER PART NO.	VP ORDER PART NO.
1	REGULATOR STEM WITH WASHER	45.0262	
2	REGULATOR CAP	45.0266	
3	CYLINDER ASSEMBLY WITH WASHER	45.0264	
4	PUSH VALVE STEM WITH DIAPHRAGM	45.0265	
ALL ABOVE	COMPLETE REPAIR KIT FOR CC-161 (PARTS 1-4)	45.0263	
COMPLETE ASSEMBLY	STAINLESS STEEL ASSEMBLY	45.0171	45.1171
	STATUARY BRONZE ASSEMBLY	45.0471	45.1471
	SATIN BRONZE ASSEMBLY	45.0571	45.1571
	OIL RUBBED BRONZE ASSEMBLY	45.0671	45.1671