

CC-153 Gooseneck Filler with Lever Valve and Optional VP Screws



CC-153 Gooseneck Filler

CC-153 Installation Instructions

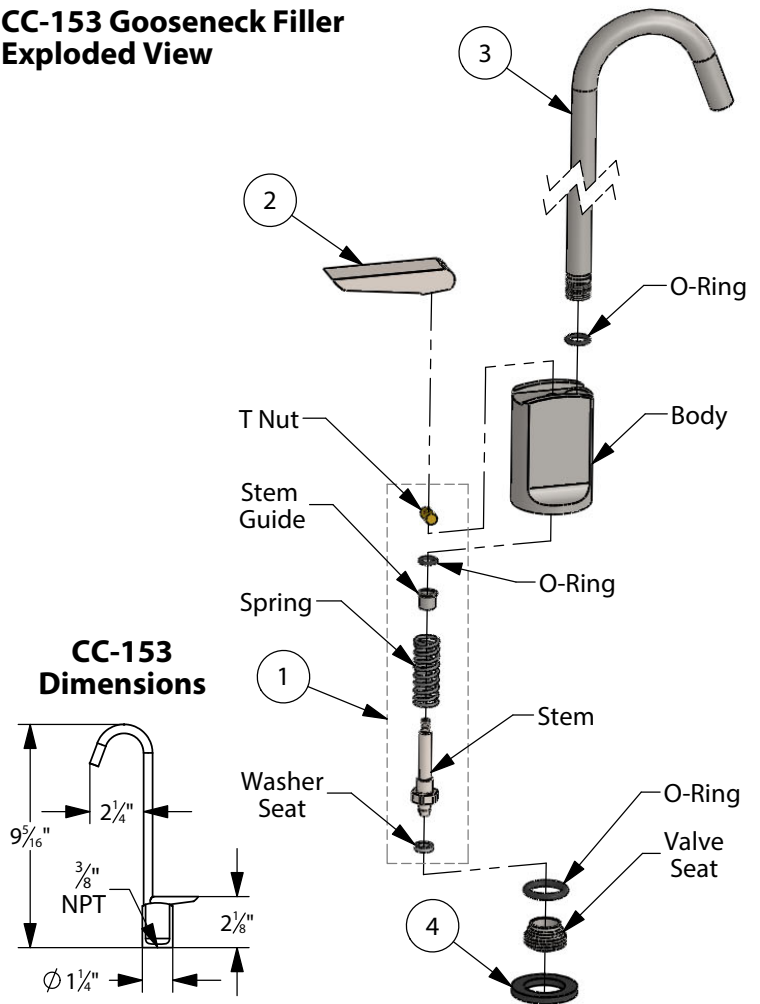
1. Put plumber's tape on all threaded connections of gooseneck filler assembly.
2. Insert rubber washer (supplied into base of gooseneck assembly)
3. Screw threaded pipe (by others) into filler base
4. Insert assembly into $\frac{3}{4}$ " mounting hole
5. Add washer and nut (supplied by others) on bottom of mounting surface. Secure filler to surface by tightening nut.
6. Connect water supply. Turn on the water to the valve and insure the flow stream will fill a 12oz bottle within 15 seconds.
7. If lever valve is sticking, remove the spout by unscrewing it from body. Slide the lever off the flow adjuster and turn the flow adjuster nut clockwise until tight.

Back the flow adjuster nut off $1\frac{1}{2}$ " turns before sliding the lever back in place. The lever should now be properly adjusted so it does not stick.

WARNING

Do not pull the lever upward as this may cause the valve to go out of alignment

CC-153 Gooseneck Filler Exploded View



| DRAWING PART NO. | DESCRIPTION | ORDER PART NO. | VP ORDER PART NO. |
|-------------------|-------------------------------|----------------|-------------------|
| 1 | STEM ASSEMBLY KIT | 45.0271 | |
| 2 | POLISHED S/S LEVER HANDLE | 45.0187 | |
| 3 | F-519L S/S GLASS FILLER SPOUT | 45.0170 | |
| 4 | MOUNTING WASHER - RUBBER | 45.0016 | |
| COMPLETE ASSEMBLY | STAINLESS STEEL ASSEMBLY | 45.0170 | 45.1173 |
| | MIRRORED BRONZE ASSEMBLY | 45.0370 | 45.1373 |
| | STATUARY BRONZE ASSEMBLY | 45.0470 | 45.1473 |
| | SATIN BRONZE ASSEMBLY | 45.0570 | 45.1573 |
| | OIL RUBBED BRONZE ASSEMBLY | 45.0670 | 45.1673 |