



B103-90-WC-MOD

Recessed Water Bottle Filling Station with
Non-Recessed Drinking Fountain



Water bottle filling station, fountain bowl and cover plate shown in #4 satin standard stainless steel finish with "soft touch" button valve and bubbler in mirror finish

Dimensions in drawing subject to options selected.

Features

- 10½" diameter, 16 ga. fountain bowl
- One-piece cover plate with no seams or exposed edges
- No plastic parts
- 100% made in the USA
- Manufactured with lead-free materials
- Integral drain in bowl for ease of cleaning
- Continuous weld construction leaving no visible welds
- Long lasting, durable stainless steel water dispenser, promotes refilling of water bottles
- Sleek, low maintenance modern design
- Matching cover plate finishes including unlimited powder coat colors
- Options include sensor activation, bottle counters, finishes, bubbler valves and more...

Recommended Add-ons

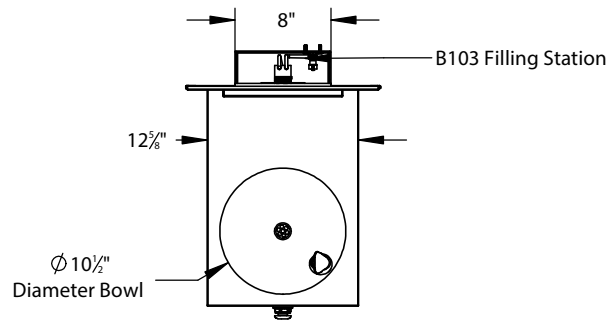
Chiller

Equip your fountain with a Filtrine point-of-use or remote chiller to cool your drinking water. We can help you select the most economical chiller model to fit your demand.

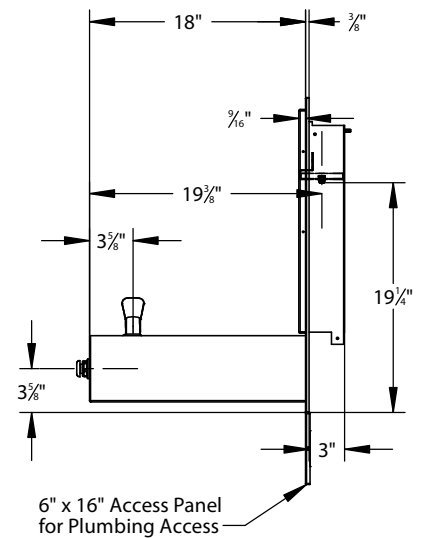
Purifier

Ensure that your drinking water is of the highest quality by adding a Filtrine Taste Master® purifier cabinet underneath the fountain or a remote purification system serving all fountains in the building.

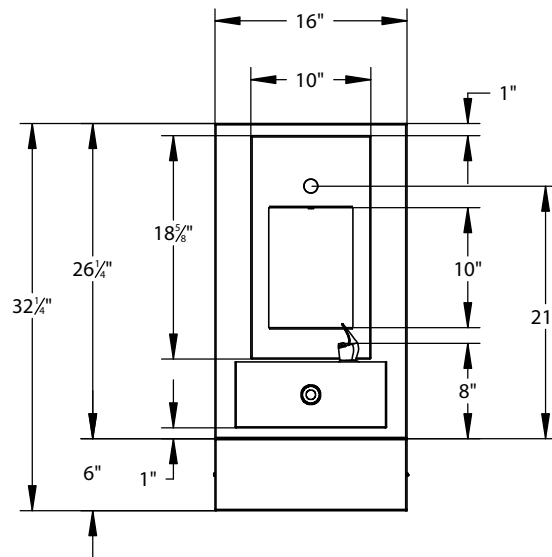
Top View



Side View



Front View





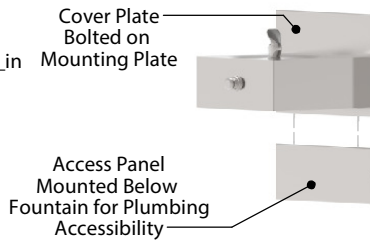
Filtrine Water Bottle Filling Station/Fountain Options

[S] - Standard
[S] - ADA compliant

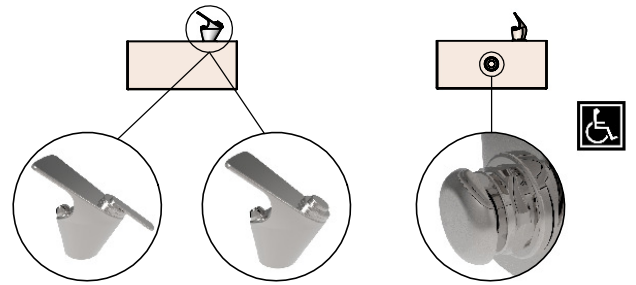
Optional Access Panel (Check One)

6" Standard Height Other Height _____ in

- Material, finish and width to match cover plate
- Includes mounting brackets for simple wall installation



Fountain Bubbler Controls (Check One)



"Easy Touch" Lever Valve

"Push Button" Valve

"Soft Touch" Button Valve [S]

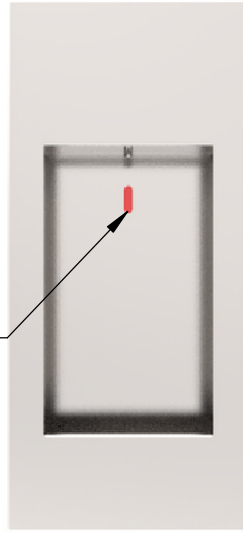
Filling Station Controls (Check One)

Flush Mounted "Soft Touch" Button Valve [S]

Optional Sensor Activated Valve

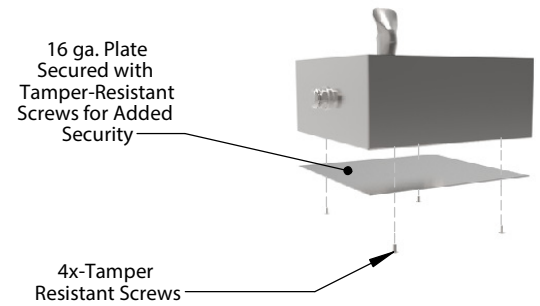


Flush Mount "Soft Touch" Push Button



"Hands Free" Sensor Activator

Optional Fountain Security Panel



Fountain Finish (Check One)

Satin Stainless [S] Mirrored Stainless Satin Bronze Mirrored Bronze Statuary Bronze Oil-Rubbed Bronze

Filling Station Finish (Check One)

Satin Stainless [S] Mirrored Stainless Powder Coat _____ Satin Bronze Mirrored Bronze Statuary Bronze Oil-Rubbed Bronze

Stainless

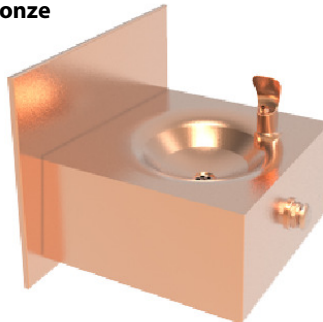


Satin Stainless Steel [S]

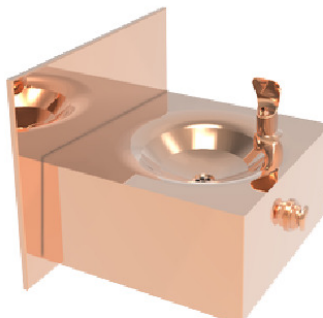


Mirrored Stainless Steel

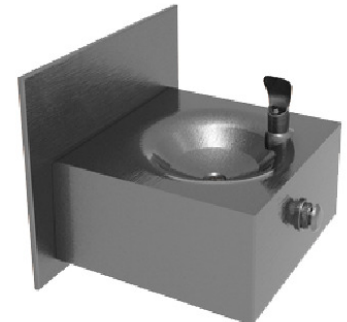
Bronze



Satin Bronze



Mirrored Bronze



Oil Rubbed Bronze

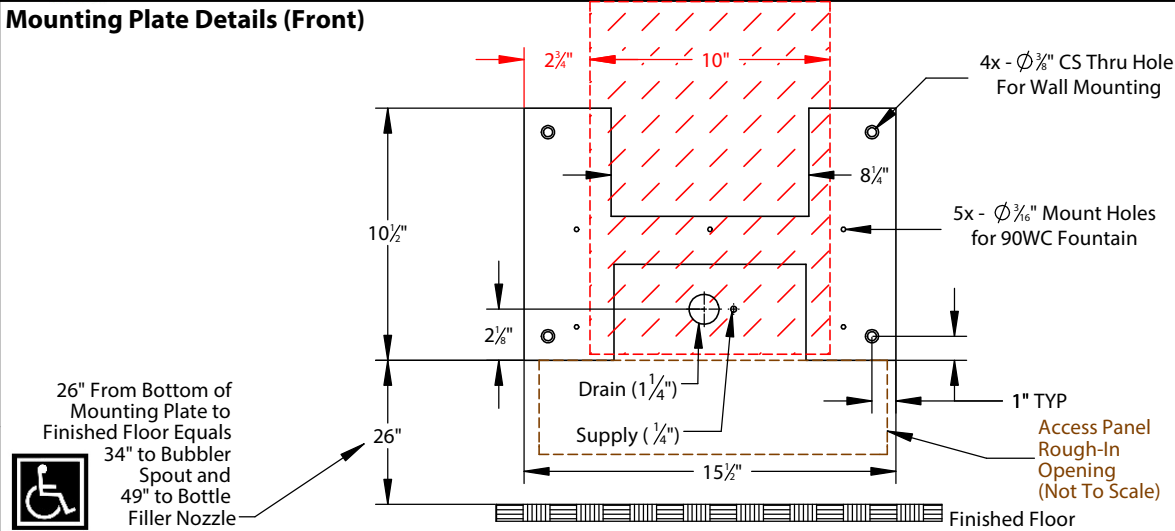


Statuary Bronze



B103-90-WC-MOD Installation Drawing

Mounting Plate Details (Front)



Approximate Rough-In Dimensions (hatched, left)

Model	Height	Width
Standard Plate	24 1/4"	10"

Approximate Access Panel Rough-In Dimensions (outlined, left)

Model	Height	Width
Standard Panel	5 1/2" *	14 1/2"

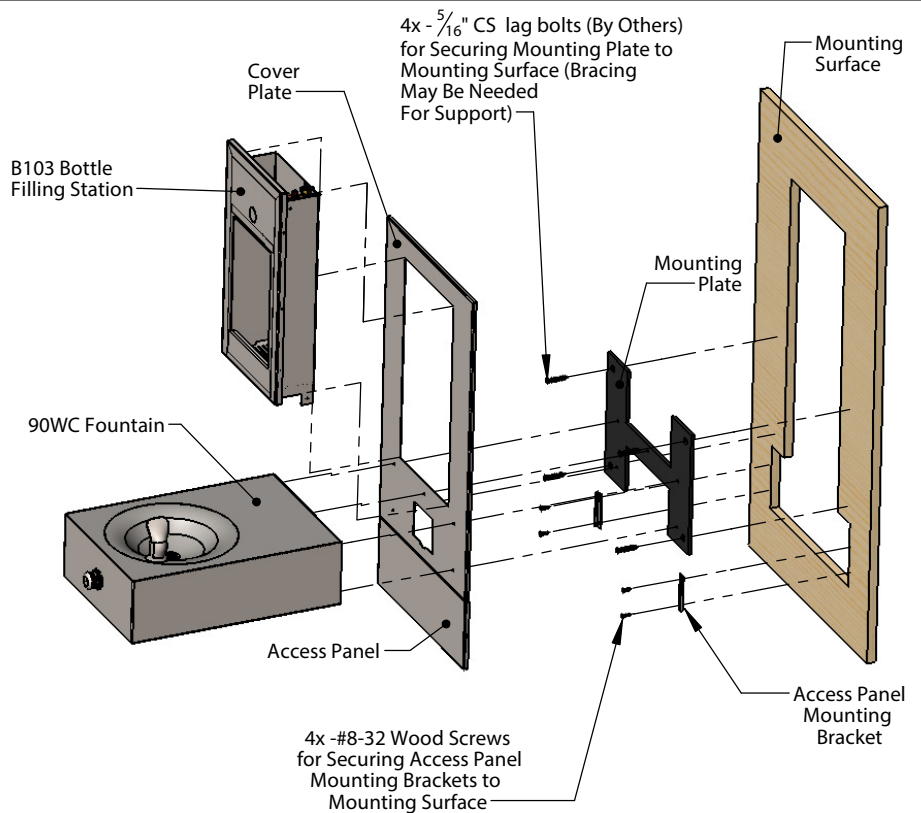
*If height specified, rough-in height will be 1/2" less than specified height

All views shown are for typical installation of B103-90-WC-MOD. Views, dimensions and diagrams may change for specific installation requirements.

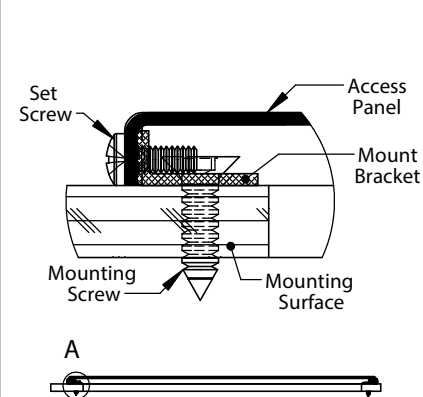
Exploded View B103-90-WC-MOD

Typical Installation Instructions (always install per local code)

1. Cut rough opening for fountain, bottle filling station and access panel as shown above and install blocking or fixture carrier as required to support the assembly.
2. Run drain piping to bottom of slip coupling tee (shown below) and install drain trap per local code.
3. Run supply water line with service valve, if necessary (shown below).
4. Fasten mounting plate over rough opening with 5/16" countersunk lag bolts with bottom of plate 26" above the floor to meet ADA fountain height requirements.
5. Install cover plate over the mounting plate
6. Place B103 bottle filling station in cover plate opening and mount in place using holes located on the side of the B103 frame.
7. Secure the 90WC fountain thru the cover plate and fasten to the mounting plate with bolts provided.
8. Connect drain lines to slip coupling and connect supply water connections.
9. Measure, mark and install the included access panel "L" brackets with #8-32 screws and align access panel to cover plate with alignment pins.

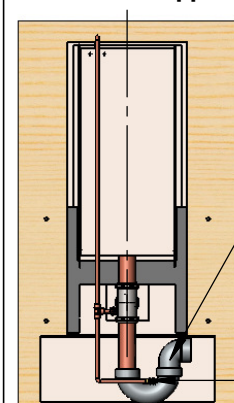


Access Panel Mounting Brackets Installation Details



Typical Drain Plumbing Detail (In-Wall Plumbing Provided By Others, Install Per Local Code)

Back View (Cropped)



Side View (Cropped)

