



107-14-HL-TM-LS

Non-Recessed, High/Low Fountain with Cane Apron and Taste Master® Purifier



Fountain bowl, cane apron, cover plate and purifier cabinet shown in standard stainless steel finish with "Soft Touch" button valves* and bubblers* in mirror finish and a Taste Master® purifier (in cabinet)

*"Hands Free" option available

Dimensions in drawing subject to options selected.

Features

- 14" diameter, 16 ga. fountain bowls
- No plastic parts
- 100% made in the USA
- Manufactured with lead-free materials
- Integral drain in bowl for ease of cleaning
- 1/4" steel support arm and wall bracket capable of supporting 500 lbs.
- Matching cover plate and cabinet finishes including unlimited powder coat colors
- Options include vandal proof bubblers, bottle fillers, sensor activation, bottle counters, finishes, bubbler valves, and more...

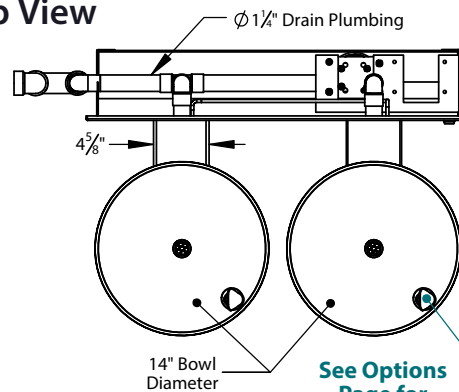
107-14-HL-TM Models Include: Purifier: Taste Master® TMS1-0.5

- **Construction:** Stainless steel housing
- **Element:** Carbon block removes lead, particulates, cysts, chlorine, organic odors and tastes. Exclusive seal design negates bypassing and leaking.

Recommended Add-ons Chiller

Equip your fountain with a Filtrine point-of-use or remote chiller to cool your drinking water. We can help you select the most economical chiller model to fit your demand.

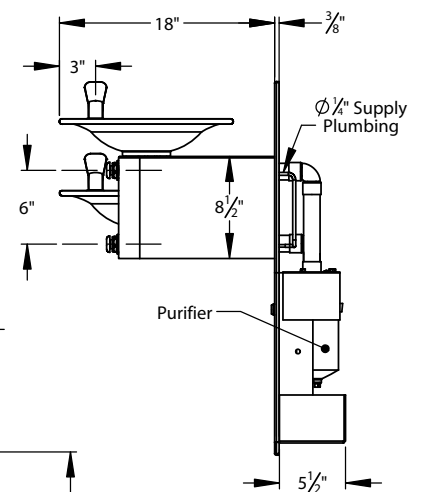
Top View



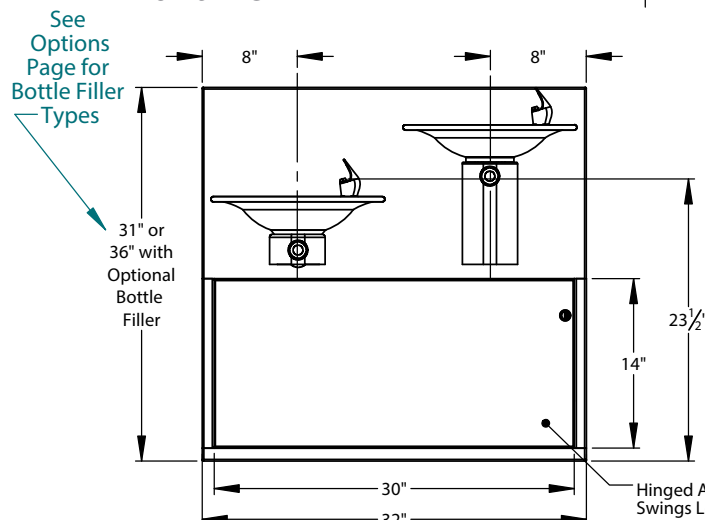
Select Low Fountain Location

- Left[S] Right

Side View



Front View



For options, finishes and more see page 2





Filtrine Drinking Water Non-Recessed Fountain Options

[S] - Standard
☑ - ADA compliant

Optional Vandal Proof Bottle Filler (Choose only one optional filler)

"Soft Touch" Valve Sensor Activation*

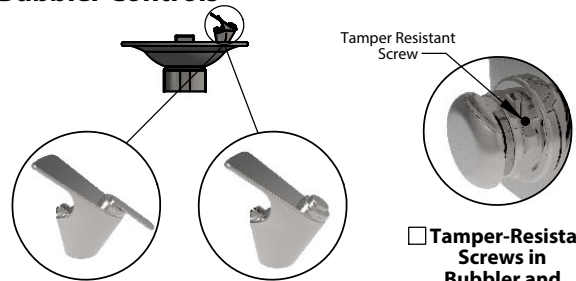
Bottle Rest - Located above lowest bowl for reduced splash and one handed operation

Bottle Counter - Digital display of approx. number of bottles saved through fountain usage
Note: Only available with sensor activation

- Mounted 10" above lowest fountain bowl.
- Comes standard with bottom security panel assembled with tamper proof screws.
- Requires larger cover plate and mounting plate.
- Supply plumbing and mounting tongue for filler provided by Filtrine.



Bubbler Controls



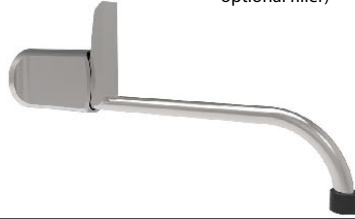
"Easy Touch" Lever Valve

"Push Button" Valve

Tamper-Resistant Screws in Bubbler and "Soft Touch" Button (if applicable)

Optional Integral "Push Back" Lever Bottle Filler (Choose only one optional filler)

- Mounted 10" above lowest fountain bowl.
- Requires larger cover and mounting plates.
- Easy-to-use stainless steel "push back" lever.
- Supply plumbing and mounting fitting for filler provided by Filtrine.



Optional Fountain Sensor Activated Bubbler*



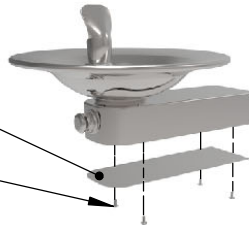
- Uses 4x-AA lithium batteries (included), runs approximately 400,000 activation cycles.
- Features automatic shutoff (30 sec).
- Helps prevent vandalism and water waste.

*Not available with sensor activated bottle filler on same bowl.

Optional Security Panel

16 ga. Plate Secured with Tamper-Resistant Screws for Added Security

4x-Tamper-Resistant Screws



Fountain Finish (Check One)

Satin Stainless [S] Mirrored Stainless Powder Coat _____ Satin Bronze Mirrored Bronze Statuary Bronze Oil-Rubbed Bronze

Optional Cover Plate Finish (Check One)

Satin Stainless [S] Mirrored Stainless Powder Coat _____ Satin Bronze Mirrored Bronze Statuary Bronze Oil-Rubbed Bronze

Stainless

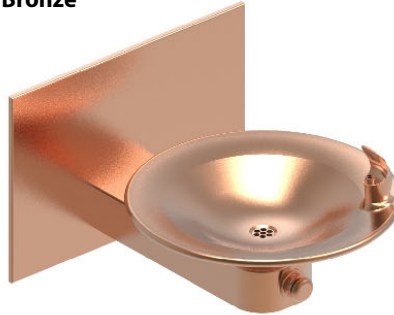


Satin Stainless Steel [S]

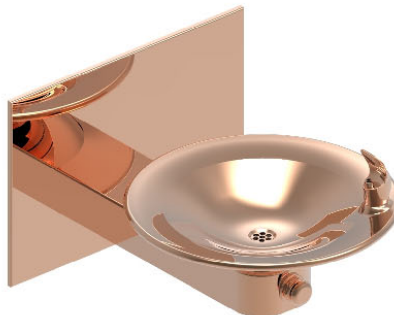


Mirrored Stainless Steel

Bronze



Satin Bronze



Mirrored Bronze



Oil Rubbed Bronze



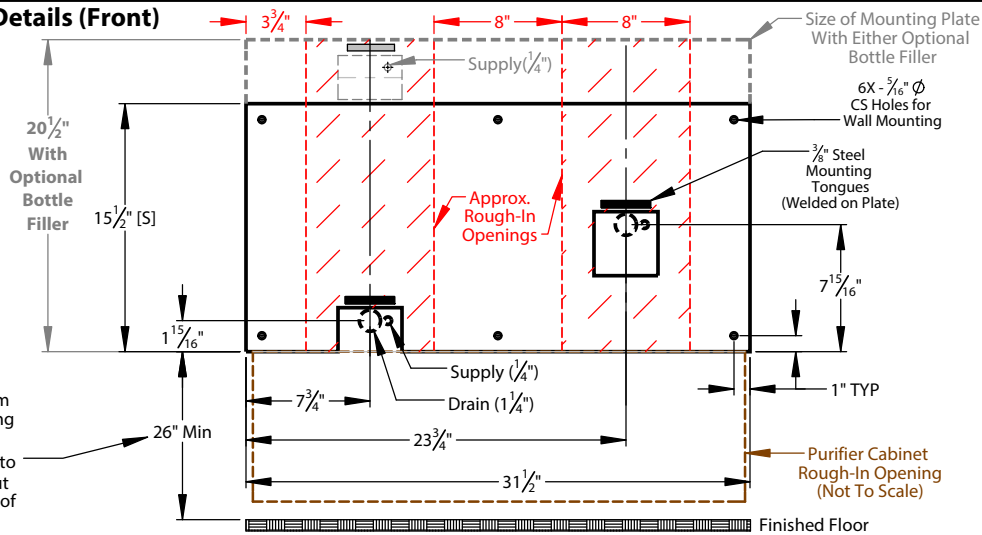
Statuary Bronze





Model 107-14-HL-TM-LS Drinking Water Installation Drawing

Mounting Plate Details (Front)



Approximate Rough-In Dimensions (hatched, left)

Model	Height	Width
Standard Plate	15 1/2"	8"
Bottle Filler Plate	20 1/2"	8"

Approximate Purifier Cabinet Rough-In Dimensions (outlined, left)

Model	Height	Width
Purifier Cabinet*	15"	30 1/2"

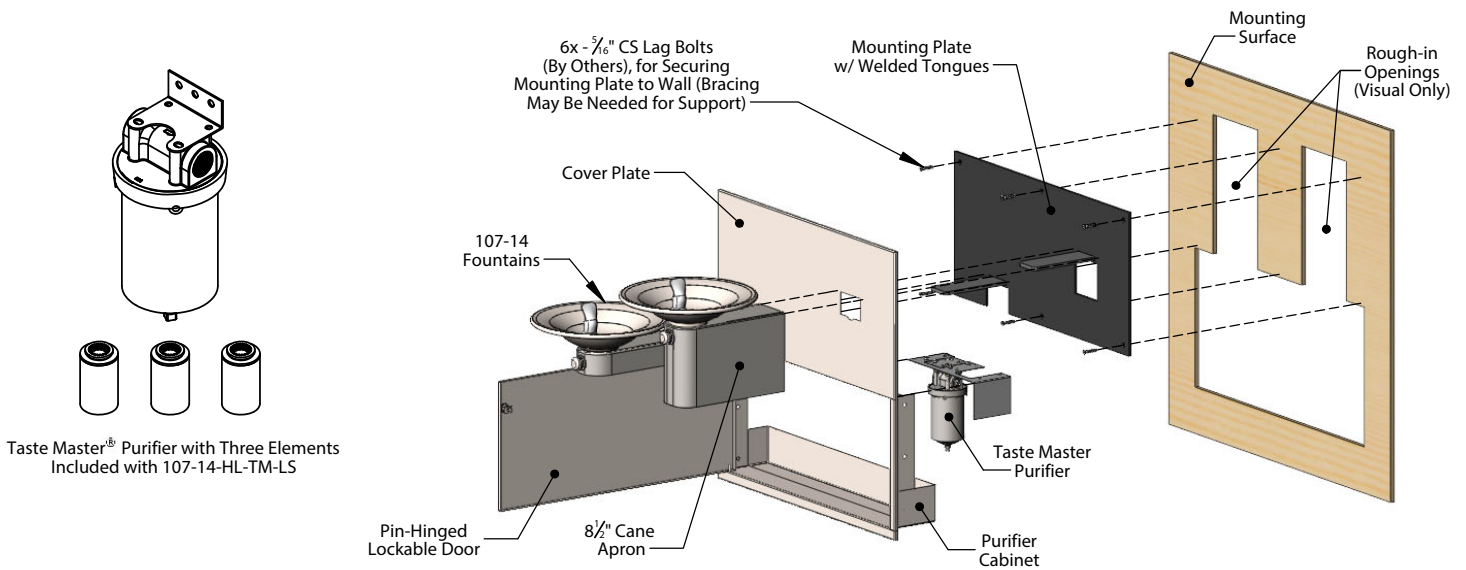
*Wall opening must be 6" deep to allow room for purifier and plumbing

All views shown are for typical installation of 107-14-HL-TM-LS. Views, dimensions and diagrams may change for specific installation requirements.



26" Minimum From Bottom of Mounting Plate to Finished Floor Equals 34 1/4" to Low Bubbler Spout and 27" to Bottom of Support Arm

Exploded On-Wall Installation View for 107-14-HL-TM-LS

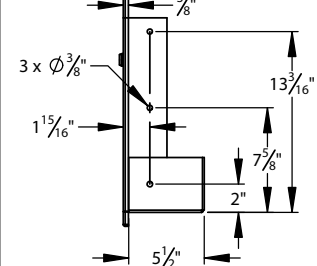


Taste Master® Purifier with Three Elements Included with 107-14-HL-TM-LS

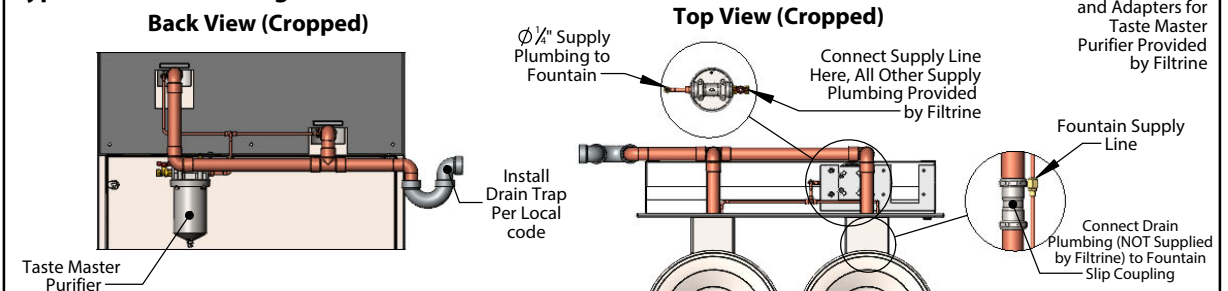
Typical Assembly Instructions (Always Install Per Local Code)

- Cut rough openings per install requirements (rough opening example shown above) and install blocking or fixture carriers as required to support the drinking fountain mounting plate and chiller cabinet in a minimum 6" deep wall.
- Cut a separate rough opening extending below the fountain mounting plate, 23" high x 31" wide maximum rough in opening dimensions.
- Run drain piping to center of openings on mounting plate (dimensioned above), and install drain trap(s) in wall per local code.
- Run supply water line to mounted Taste Master filter housing.
- If optional bottle filler is included with order, attach piping assembly provided by Filtrine to the back side of the mounting plate with two screws and rubber gasket for standard bottle filler and flare connection for vandal proof bottle filler.
- Fasten mounting plate to mounting surface over rough opening with 5/16" countersunk lag bolts with bottom of plate 26" above the floor to meet ADA fountain height requirement of 34 1/4" to the bubbler spout.
- Install purifier cabinet in rough opening below the mounting plate and slide the cover plate over the mounting plate. Using screws fasten the cabinet to the blocking or the mounting surface through the side flange of the cabinet.
- Slide each fountain and vandal proof bottle filler arm (if ordered) over the horizontal tongues protruding from the mounting plate and fasten arms with set screws pushing slightly against the cover plate.
- Connect drain line to slip coupling at each fountain and connect supply line to filter housing.

Purifier Cabinet Mounting Detail



Typical Drain Plumbing Detail (In-Wall Drain Plumbing Provided By Others, Install Per Local Code)



Unions, Elbows and Adapters for Taste Master Purifier Provided by Filtrine

