



# RECIRCULATING LOOP CHILLERS



TYPICAL CHILLER

## APPLICATIONS

Jacket Cooling  
Lasers  
Induction Heaters  
Machine Tools  
Welders  
MRI Equipment  
CAT Scans

Computers  
Power Supplies  
Vacuum Ovens  
Injection Molding  
Plasma Spraying  
Linear Accelerators  
Electron Microscopes

## FEATURES

### Energy Saving Design

Unlike most process chillers, compressor runs only as needed. Storage design provides close temperature control and safety from freeze-up without constant operation.

### Complete Temperature Control

Temperature adjustable within a range of 40° to 90°F [5° to 32°C] and will hold temperature within ±1.5°F [1°C] of setting. [±0.5°F optional]

### Welded Stainless Steel Cooling Tank

Recirculates clean coolant sealed from the atmosphere, eliminates bacterial build-up and internal corrosion.

### Uses HFO Refrigerant

Ozone Safe - Low Global Warming Potential (GWP)

### Unlimited Options

Design the perfect cooling system for any application. 60+ options to meet any special need. See *Options & Accessories* ([www.filtrine.com/chillers/options-and-accessories](http://www.filtrine.com/chillers/options-and-accessories)) for more information.

## ENERGY SAVING OPTIONS AVAILABLE CONSULT FACTORY

### START-UP and FIRST YEAR SERVICE

FILTRINE Mfg. Co. provides start-up and first year service on all parts and labor. Regular maintenance on a yearly contract basis is a wise investment and will prevent costly downtime.

### WARRANTY

All parts are covered FOB jobsite for (12) months from the start date or (15) months from date of shipment or whichever comes first.

### SERVICE MAKES THE DIFFERENCE

Recognizing that downtime on critical medical equipment is unacceptable, Filtrine has established a national network of qualified service technicians, selected because of their extensive experience working on medical equipment chillers and their location within the "Emergency Response Zone" (approximately 40 miles). This expert and quick service is available on an 8/5 or 24/7 basis for all Filtrine medical chillers and heat exchangers.

## MODEL..... PCP or POC-300G HERMETIC SCROLL MODELS

### DESCRIPTION

Filtrine's PCP and POC chillers recirculate a clean coolant at constant temperature and pressure to increase the stability and consistency of water cooled machines and instruments. Choose from different condenser configurations to match your specific site requirements.

• **PCP - Closed Loop Chillers:** Use a storage type cooling tank, with immersion coil evaporator, to provide close temperature control of recirculating coolants. The tank is sealed to prevent coolant evaporation and fouling, and supplied with a liquid level gauge, fill port and clean out. The pump recirculates coolant at constant pressure and flow, which is adjustable by turning a manual bypass valve.

• **POC - Open Loop Chillers:** Pump liquid from an open tank or sump, through the chiller and back to the sump. An adjustable thermostat senses the make up liquid temperature, cycling the chiller to insure constant temperature in the sump.

### SPECIFICATIONS

COOLING CAPACITY @ 68°F [20°C] discharge & 90°F [32°C] ambient

MODEL	BTU/HR	WATTS	FLA @ 230 / 460
PCP or POC 300G-36	36,000	10,548	13 / 7
PCP or POC 300G-40	40,000	11,720	14 / 7
PCP or POC 300G-44	44,000	12,892	15 / 8

NOTE: FLA may vary depending on options. See MCA and MOP on nameplate of as-built unit.

COMPRESSOR: HP .....3  
Lifetime lubricated, hermetic scroll type supplied with high/low pressure stat, freeze control, head and suction gauges, pump down solenoid valve, thermostatic expansion valve, refrigerant sight glass and dehydrator.

### STANDARD CONDENSERS [Designated by suffix]

**A** Fan cooled condenser for indoor installation.

**AR** Remote Air cooled condenser furnished separately for mounting on roof.

**W** Water cooled condenser for hookup to city or tower water

**A-WP** Self-contained air cooled condenser; complete unit made weather-resistant for outdoor installation

COOLING TANK & EVAPORATOR: Capacity ..... 30 gal [114 l]

Welded stainless steel shell and immersion coil evaporator. Tank tested at 250# for 125# working pressure. Supplied with liquid level gauge and insulated with closed cell thermo-elastomer with an R factor of 3.7.

PUMP: HP ..... 1/2

Capacity ..... 15 gpm [57 lpm] @ 20 psi

Stainless steel centrifugal pump mounted on rubber pads over a stainless steel condensation tray and supplied with unions and service valves and manually adjustable bypass valve. All piping and fittings brass, copper, or bronze and insulated with closed cell thermo-elastomer with an R factor of 3.7.

THERMOSTAT: Adjustable Range ..... 40° to 90°F [5° to 32°C]

Temperature Stability ..... ±1.5°F [1°C]

CABINET: Enameled aluminum panels with stainless steel corner legs and top on a welded angle iron frame. Panels removable for access to all components.

SUPPLY POWER: ..... 208-230/60/3 or 460/60/3

PLUMBING CONNECTIONS IN & OUT ..... 3/4" [19 mm] MPT

SHIPPING WEIGHT ..... Chart on reverse



### CHILLER DIMENSIONS & WEIGHTS

MODEL NUMBER	W		D		H		SHIP WT	
	in	cm	in	cm	in	cm	lb	kg
PCP or POC-300G-A	62	157	32	81	54	137	1400	630
PCP or POC-300G-W	62	157	32	81	48	122		
PCP or POC-300G-AR	62	157	32	81	48	122		
PCP or POC-300G-A-WP	78	198	32	81	70	178		
PCP or POC-300G-WP-LP*	82	208	62	157	30	76		
PCP or POC-300G-A-SSD**	34	86	28	71	78	200		
PCP or POC-300G-W-SSD**	34	86	26	66	72	184		
PCP or POC-300G-AR-SSD**	34	86	26	66	72	184		

\*Low profile, weather-resistant unit for installation on roof

\*\*Space saving design

NOTE: Chiller dimensions and shipping weights may vary depending on options, confirm with factory.

### VENTILATION PANELS

Standard A and A-WP models: air intake at rear, air discharge out front and right end. LP models: air intake rear, air discharge out both ends and top. Manufacturer recommends 24" [61 cm] minimum clear space opposite all ventilation panels.

### REMOVABLE SERVICE PANELS

Front and rear on all models. Manufacturer recommends 36" [91 cm] clearance at front for service.

### CHANNEL SKIDS

Channel skids project 2" [5 cm] front and rear. Allow additional 2" [5 cm] to height for channel skids. Center of 5/8" [1.6 cm] mounting holes located 6" [15 cm] from chiller end and 1" [2.5 cm] from chiller edge front and rear.

### STANDARD OPERATING CONDITIONS

OUTDOOR AMBIENT

-20° to 100°F [-29° to 38°C]

### OPTIONAL OPERATING CONDITIONS

OUTDOOR AMBIENT

Up to 110°F [43°C]

Up to 120°F [49°C]

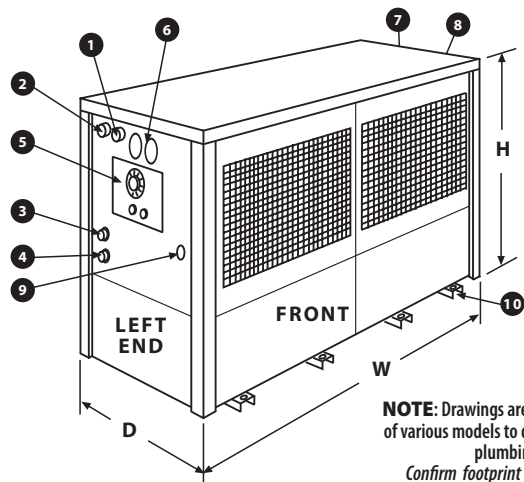
Down to -30°F [-34°C]

NOTE: Higher ambient options may affect unit dimensions.

### REMOTE CONDENSER

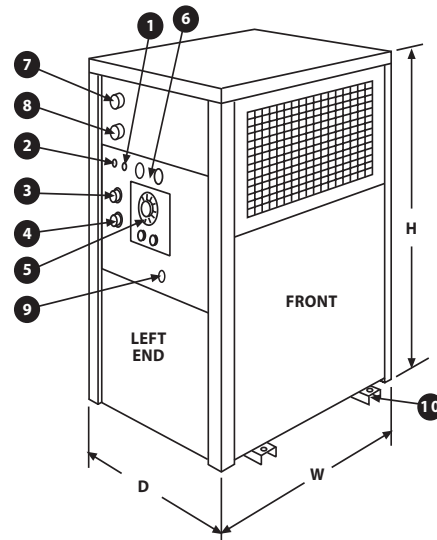
Use w/standard or SSD models: Furnished complete w/controls for operating in ambient temperatures to minus 20°F [-29°C], consult factory for specs. Connections for remote condenser are at right end of chiller cabinet.

### STANDARD MODELS: Suffix A, AR, W & A-WP



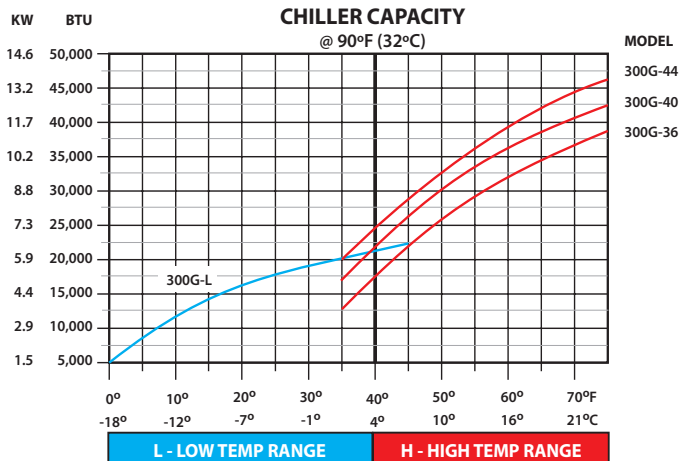
NOTE: Drawings are composites of various models to demonstrate plumbing locations. Confirm footprint with factory.

### SSD - SPACE SAVING DESIGN MODELS: Suffix A, AR & W [A-WP not available in SSD model]



### LEGEND

- |                      |   |
|----------------------|---|
| 1. Air Vent          | 7. To Remote Condenser [AR Models]<br>Condenser Water Out [W Models]  |
| 2. Fill Port         | 8. From Remote Condenser [AR Models]<br>Condenser Water In [W Models] |
| 3. Coolant Return    | 9. Electrical Connection  |
| 4. Coolant Discharge | 10. Channel Skids   |
| 5. Control Panel     |   |
| 6. Gauges            |   |



PUMP CAPACITY								
MODEL*	GPM @ PRESSURE SHOWN							
	psi	10	20	30	40	60	80	100
	ft	23	46	69	92	138	184	231
STD-1/2C		20	15	8	—	—	—	—
OP-3/4C		19	16	12	—	—	—	—
OP-1C		52	40	20	—	—	—	—
OP-1/2T		8	8	8	8	8	7	6
OP-3/4T		13	13	12	12	11	10	8

\*Standard pump is 1/2HP, centrifugal. Optional pumps [OP] include centrifugal [C] or turbine [T] models. All turbine pumps include an adjustable pressure relief bypass in lieu of a manual bypass valve.

NOTE: Information given in this bulletin for general use only. Confirm exact specs with factory for your specific requirements.

