

Taste Master® IN-LINE PURIFIERS

5 MICRON ELEMENTS – 35 TO 140 GPM FLOW RATE



TYPICAL INLINE PURIFIER SHOWN without cabinet

Filtrine's Taste Master in-line water purification system is contained in a durable stainless steel housing (rated at 125 psid working pressure) with easy-to-change spun poly and carbon block elements. All the benefits of clear filtered water are available at any potable water outlet by the simple addition of a Taste Master in-line system.

Two critical elements ensure your drinking water has a fresh taste:

5 MICRON SPUN POLY PRE-FILTER ELEMENT

- Removes suspended particles
- Increases efficiency and life of carbon block elements

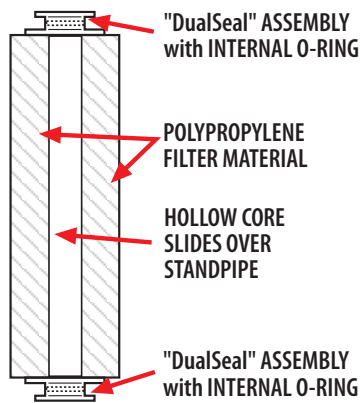
5 MICRON CARBON BLOCK ELEMENT

Meets NSF/ANSI Standard 42 for removal of:

- Organic tastes and odors
- Chlorine taste and odor
- Sediment particles to 5 microns

STAGE ONE PRE-FILTRATION

TYPICAL PRE-FILTER ELEMENT SCHEMATIC

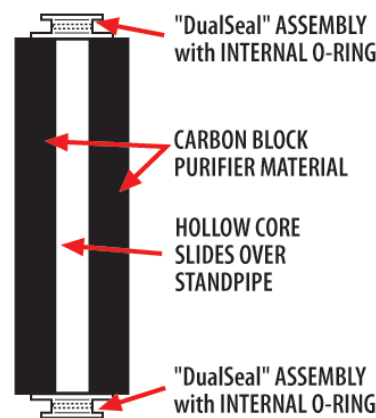


TYPICAL PRE-FILTER SPUN POLY ELEMENT



STAGE TWO PURIFICATION

TYPICAL TASTE MASTER ELEMENT SCHEMATIC



TYPICAL TASTE MASTER CARBON BLOCK ELEMENT

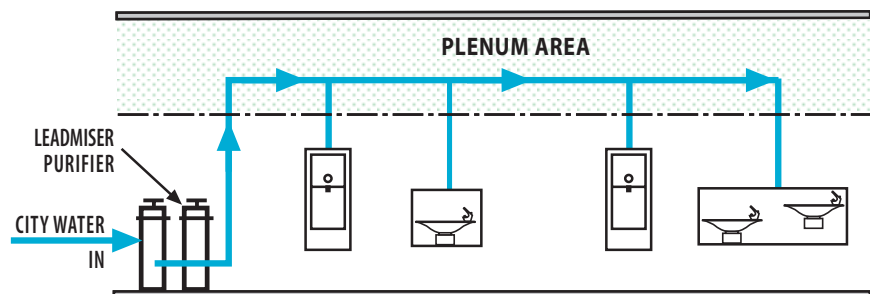


EXCLUSIVE "DUAL-SEAL" ELEMENT DESIGN

Conventional cartridge-type filters depend upon compression of the cartridge top and bottom to effect a seal. When wet, the average cartridge loses some rigidity, making it impossible to maintain this original seal.

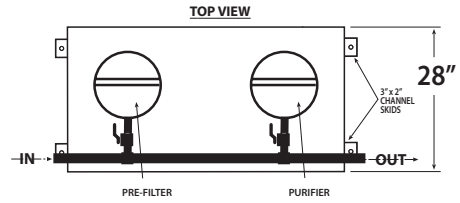
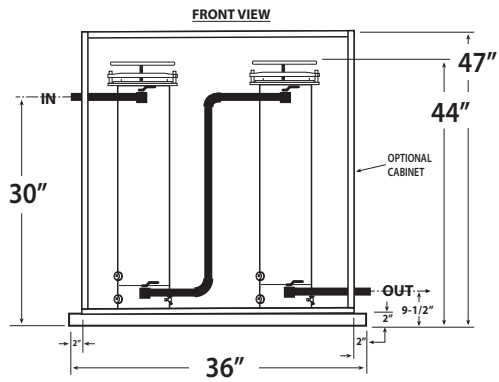
Taste Master elements do not rely on cartridge compression. Filtrine's exclusive "Dual-Seal" design ensures first-day effectiveness for the life of the element.

TASTE MASTER INSTALLATION



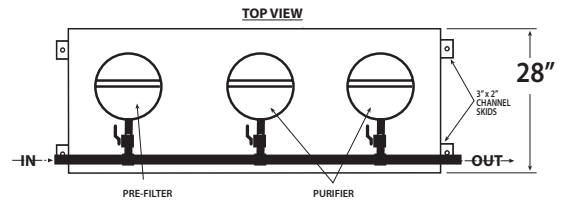
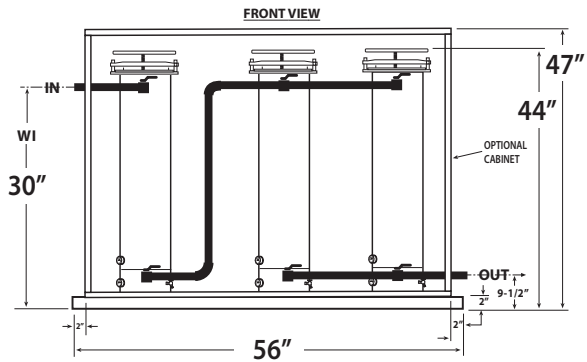
IL35-PFTM Schematic

20" Minimum Clearance Above Filter Housings



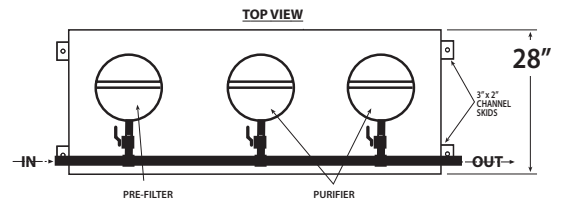
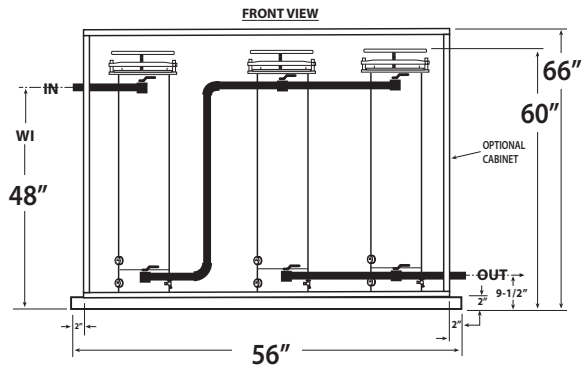
IL70-PFTM Schematic

20" Minimum Clearance Above Filter Housings



IL140-PFTM Schematic

20" Minimum Clearance Above Front, Back, Sides



5 MICRON TASTE MASTER IN-LINE PURIFIERS

MODEL NUMBER	FLOW GPM	SPUN POLY PRE-FILTER			CARBON BLOCK PURIFIER			DIMENSIONS - INCHES				CONN IN/OUT	SHIP WT LBS
		[QTY] HOUSING	[QTY] ELEMENT	ELEMENT ORDER #	[QTY] HOUSING	[QTY] ELEMENT	ELEMENT ORDER #	W	D	CH	WI		
IL35-PFTM	35	[1] PF40	[4] PF10-17-5-SP	46.0324	[1] TM35	[7] TM3-17-5-CB	46.0623	36	28	47	30	1-1/2"	650
IL70-PFTM	70	[1] PF70	[7] PF10-17-5-SP	46.0324	[2] TM35	[14] TM3-17-5-CB	46.0623	56	28	47	30	2"	650
IL140-PFTM	140	[1] PF140	[7] PF20-35-5-SP	46.0326	[2] TM70	[7] TM4-35-5-CB	46.0640	56	28	66	48	3"	800

NOTE: Clean filter pressure drops by 10 psi at the rated flow

NOTE: Consult factory when in-coming water has high turbidity or low pressure