



# TASTE MASTER® IN-LINE PURIFIERS WITH 0.5 MICRON CARBON ELEMENTS – 25 TO 160 GPM FLOW RATE



TYPICAL INLINE PURIFIER SHOWN without cabinet

Filtrine's Taste Master® in-line water purification system is contained in a durable stainless steel housing with easy-to-change spun poly and carbon block elements. All the benefits of clear filtered water are available at any potable water outlet by the simple addition of a Taste Master in-line system.

*Two critical elements ensure your drinking water is lead-free and has a fresh taste:*

### 5 MICRON SPUN POLY PRE-FILTER ELEMENT

- Removes suspended particles
- Increases efficiency and life of carbon block elements

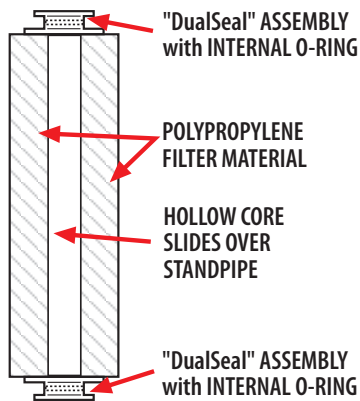
### 0.5 MICRON CARBON BLOCK ELEMENT

Meets NSF/ANSI Standards 42 and 53 for removal of:

- Lead
- Organic tastes and odors
- Chlorine taste and odor
- Sediment particles to 0.5 microns
- Pathogens including Cryptosporidium, Entamoeba Giardia and Toxoplasma

## STAGE ONE PRE-FILTRATION

TYPICAL PRE-FILTER ELEMENT SCHEMATIC

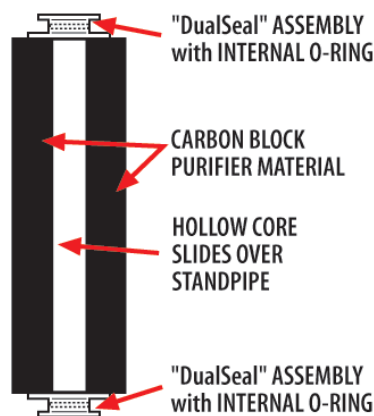


TYPICAL PRE-FILTER SPUN POLY ELEMENT



## STAGE TWO PURIFICATION

TYPICAL Taste Master ELEMENT SCHEMATIC



TYPICAL Taste Master CARBON BLOCK ELEMENT

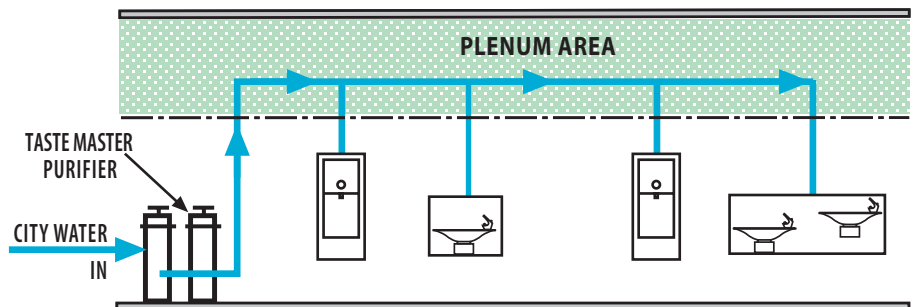


## EXCLUSIVE "DUAL-SEAL" ELEMENT DESIGN

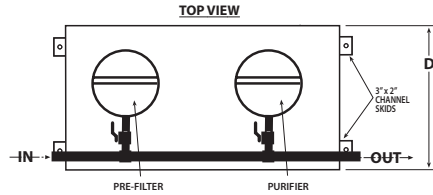
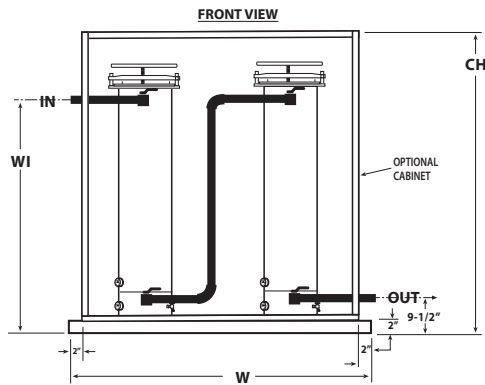
Conventional cartridge-type filters depend upon compression of the cartridge top and bottom to effect a seal. When wet, the average cartridge loses some rigidity, making it impossible to maintain this original seal.

Taste Master elements do not rely on cartridge compression. Filtrine's exclusive "Dual-Seal" design ensures first-day effectiveness for the life of the element.

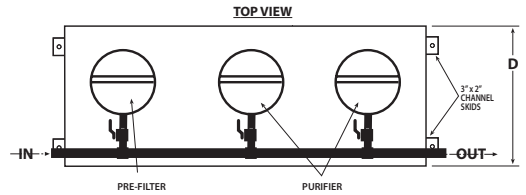
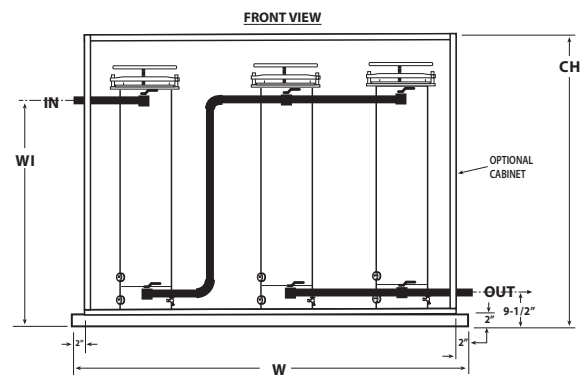
## TASTE MASTER INSTALLATION



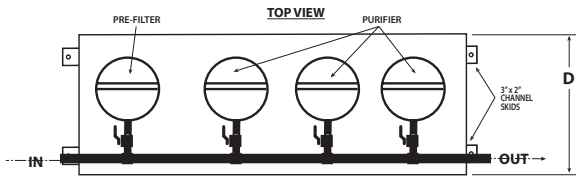
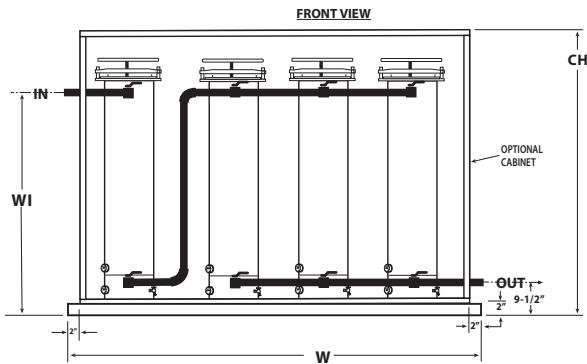
### IL25-PFTM-0.5



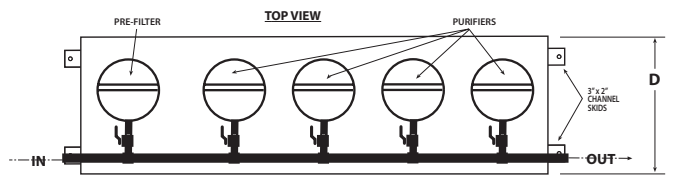
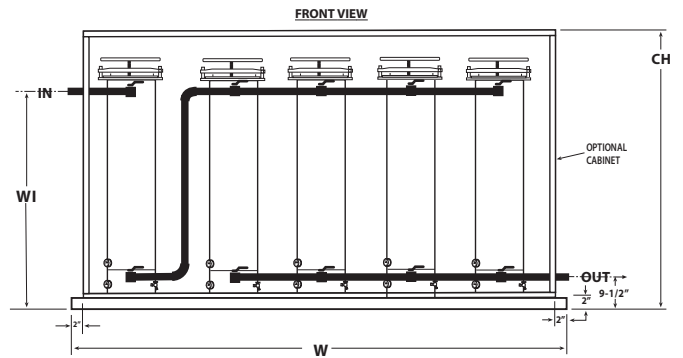
### IL35-PFTM-0.5 / IL45-PFTM-0.5 / IL90-PFTM-0.5



### IL140-PFTM-0.5



### IL160-PFTM-0.5



## 0.5 MICRON IN-LINE TASTE MASTER® FILTER / PURIFIER SELECTION CHART

MODEL NUMBER	FLOW GPM	SPUN POLY PRE-FILTER			CARBON BLOCK PURIFIER			DIMENSIONS - INCHES				CONN IN/OUT	SHIP WT LBS
		[QTY] HOUSING	[QTY] ELEMENT	ELEMENT ORDER #	[QTY] HOUSING	[QTY] ELEMENT	ELEMENT ORDER #	W	D	CH	WI		
IL25-PFTM-0.5	25	[1] PF40	[4] PF10-17-5-SP	46.0324	[1] TM35	[7] TM3-17-0.5-CB	46.0633	36	28	47	30	1-1/2"	500
IL35-PFTM-0.5	35	[1] PF40	[4] PF70-17-5-SP	46.0324	[2] TM35	[14] TM3-17-0.5-CB	46.0633	56	28	47	30	2"	650
IL45-PFTM-0.5	45	[1] PF70	[7] PF70-17-5-SP	46.0324	[2] TM35	[14] TM3-17-0.5-CB	46.0633	56	28	47	30	2"	650
IL90-PFTM-0.5	90	[1] PF140	[7] PF140-35-5-SP	46.0326	[2] TM70	[14] TM4-35-0.5-CB	46.0635	56	28	66	48	3"	800
IL140-PFTM-0.5	140	[1] PF140	[7] PF140-35-5-SP	46.0326	[3] TM70	[21] TM4-35-0.5-CB	46.0635	72	28	66	48	3"	1100
IL160-PFTM-0.5	160	[1] PF140	[7] PF140-35-5-SP	46.0326	[4] TM70	[28] TM4-35-0.5-CB	46.0635	98	28	66	48	3"	1400

NOTE: Clean filter pressure drops by 20 psi at the rated flow. Consult factory when in-coming water has high turbidity or low pressure.

