



FCC-102-HL

Semi-Recessed High/Low Drinking Fountain with Chiller/Purifier



FCC-102-HL
Illustration only.

FOUNTAIN SPECIFICATIONS

FOUNTAIN MATERIAL – 16 gauge

- Stainless Steel
- Bronze

FINISH

- Satin [S]
- Mirror
- Statuary Bronze
- Oil Rubbed Bronze

COVER PLATE MATERIAL – 16 gauge

- No cover plate (mounting plate in wall)
- Same material and finish as fountain bowl
- Stainless steel with powder coat color _____
- Different material and/or finish _____

FOUNTAIN CONTROL OPTIONS

- Separate "SOFT TOUCH" button valve [S] *
- Integral "PUSH BUTTON" valve
- Integral "EASY TOUCH" lever valve

NOTE: Finish to match bowl except stainless steel "Soft Touch" valve is only available in mirror.

VANDAL-PROOF FOUNTAIN OPTIONS

- BUBBLER secured with tamper-resistant set screws
- BUBBLER operated by "HANDS-FREE" photocell
- SECURITY PANEL for under fountain bowls
Finish matches cover plate.

LOW FOUNTAIN LOCATION

- Left [S]
- Right

BOTTLE FILLER OPTIONS

- BOTTLE FILLER mounted over low fountain with push back lever

CHILLER SPECIFICATIONS

MODEL: 56A

COOLING CAPACITY: 6 gph at 50°F

STORAGE: 2 gal, insulated, stainless steel tank

REFRIGERANT: HFC R134a "Ozone Safe"

ELECTRICAL: 115/60/1 Other _____

PURIFIER SPECIFICATIONS

MODEL - TasteMaster TM1-0.5

CONSTRUCTION - FDA food grade poly liner with stainless steel outer housing

ELEMENT - Carbon block removes particulates, cysts, chlorine, organic odors and tastes. Exclusive

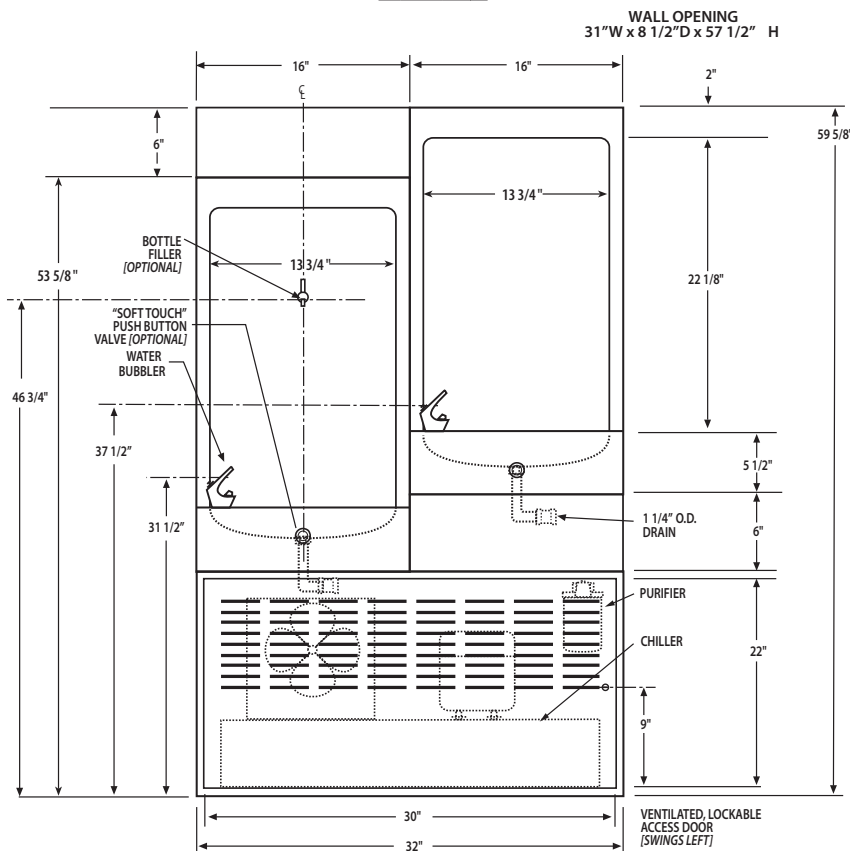
"Dual Seal" design negates bypassing and leaking

*ADA compliant, less than [S] lbs force to activate.

[S] = STANDARD

FCC-102-HL Installation Instructions

FRONT VIEW



SIDE VIEW

