



FC-107-14-VP

Non-Recessed Vandal Proof Drinking Fountain with In-Wall Chiller and Taste Master® Purifier



Fountain bowl, cover plate and cabinet shown in standard stainless steel satin finish with stainless steel mirror finish "soft touch" bubbler and vandal proof bottle filler

Dimensions in drawing subject to options selected.

Features

- 14" diameter, 16 ga. fountain bowl
- No plastic parts
- 100% made in the USA
- Manufactured with lead-free materials
- Integral drain in bowl for ease of cleaning
- 1/4" steel support arm and wall bracket capable of supporting 500 lbs.
- Matching cover plate finishes including unlimited powder coat colors
- Options include vandal proof bubblers, bottle fillers, bottle counters, finishes, bubbler valves, and more...

FC-107-14 Models Include:

Chiller: Model 66NL

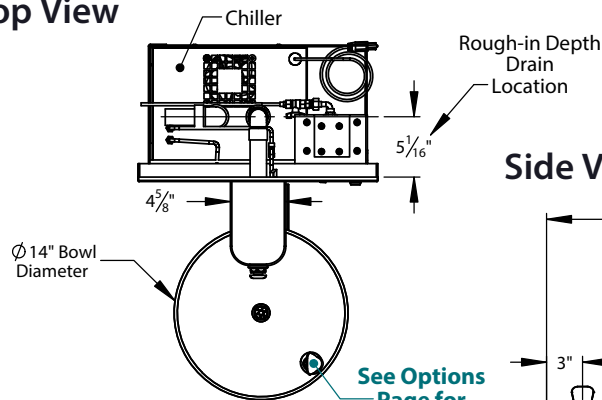
- Water in: 1/4" FPT
- Cooling Capacity: 5 GPH @ 50°F [10°C]*
- Storage: 2 gal, insulated stainless steel tank
- Refrigerant: HFO R513A "Ozone Safe" - "Low GWP"
- Electrical: 115/60/1 or specify _____

*Higher capacity chillers are available. Consult factory for correct model #s.

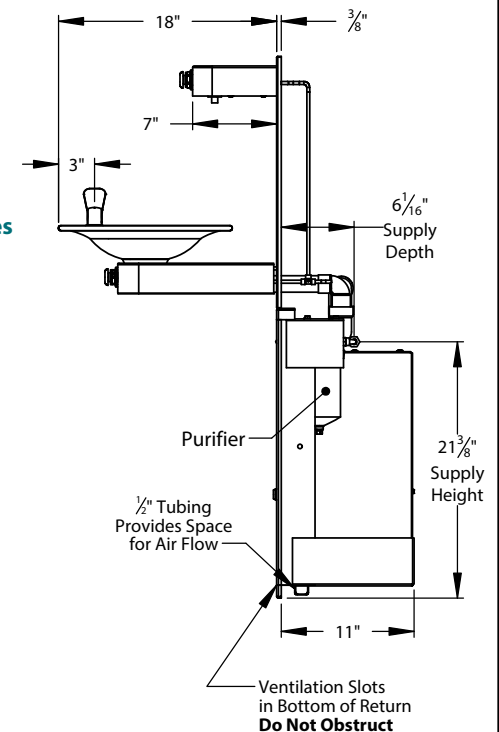
Purifier: Taste Master® TMS1-0.5

- Construction: Stainless steel housing
- Element: Carbon block removes lead, particulates, cysts, chlorine, organic odors and tastes. Exclusive seal design negates bypassing and leaking.

Top View

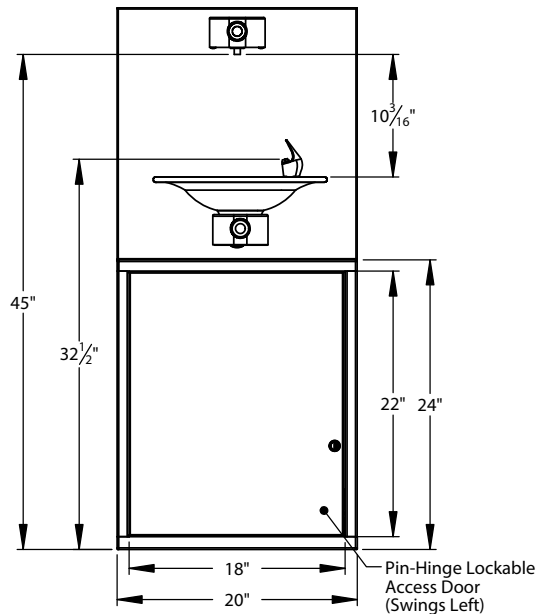


Side View



NOTE:
Install Chiller in Stud Wall with Minimum 6" x 18" Opening for Exhaust into Plenum Above

Front View



For options, finishes and more see page 2





Vandal Proof Non-Recessed Fountain Options

[S] - Standard
☑ - ADA compliant

Standard Vandal Proof Bottle Filler

Features:

- Mounted 10½" above lowest fountain bowl
- Comes standard with bottom security panel assembled with tamper proof screws and "Soft Touch" button valve
- Supply plumbing and mounting tongue for filler provided by Filtrine



"Soft Touch" Button Valve with Recessed Set Screw

Bubbler Control Options (Check One)



Integral "Easy Touch" Lever Valve



Integral "Push Button" Valve

Recessed Set Screw

Standard Security Panel and Vandal Proof Bubbler

"Soft Touch" Button and Projector Bubbler with Recessed Set Screws

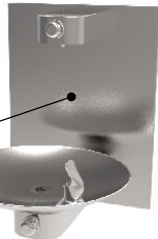


16 ga. Plate Secured with Tamper-Resistant Screws for Added Security

4x Tamper-Resistant Screws

Standard 21" High Cover Plate

- 16 gauge metal construction
- Material and finish for cover plate can be selected below

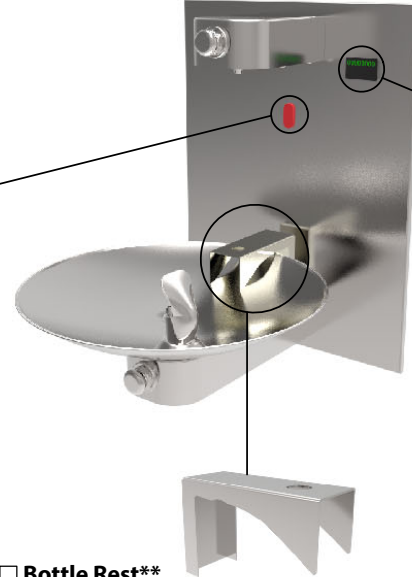


Cover Plate Friction Fit on Mounting Plate

Bottle Filler Options

"Hands Free" Sensor Activated

- 4x -AA lithium batteries (included)
- Runs approximately 400,000 cycles
- Features automatic shutoff (30 sec)
- Includes 6" access panel below fountain for sensor controls (see below)



Bottle Counter*

- Digital display of approximate number of bottles saved through filler usage
- * Only available with sensor activation

Bottle Rest**

- Located above lowest fountain for reduced splash and one handed operation
- ** Recommended with sensor activation

Fountain Finish (Check One)

- Satin Stainless [S] Mirrored Stainless Satin Bronze Mirrored Bronze Statuary Bronze Oil-Rubbed Bronze

Cover Plate Finish (Check One)

- Satin Stainless [S] Mirrored Stainless Powder Coat _____ Satin Bronze Mirrored Bronze Statuary Bronze Oil-Rubbed Bronze

Stainless

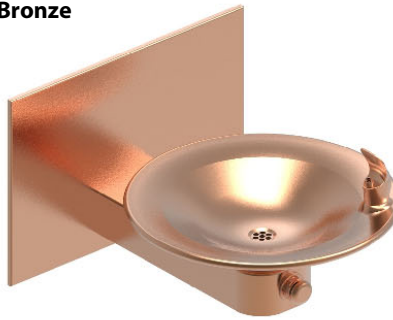


Satin Stainless Steel [S]



Mirrored Stainless Steel

Bronze



Satin Bronze



Mirrored Bronze



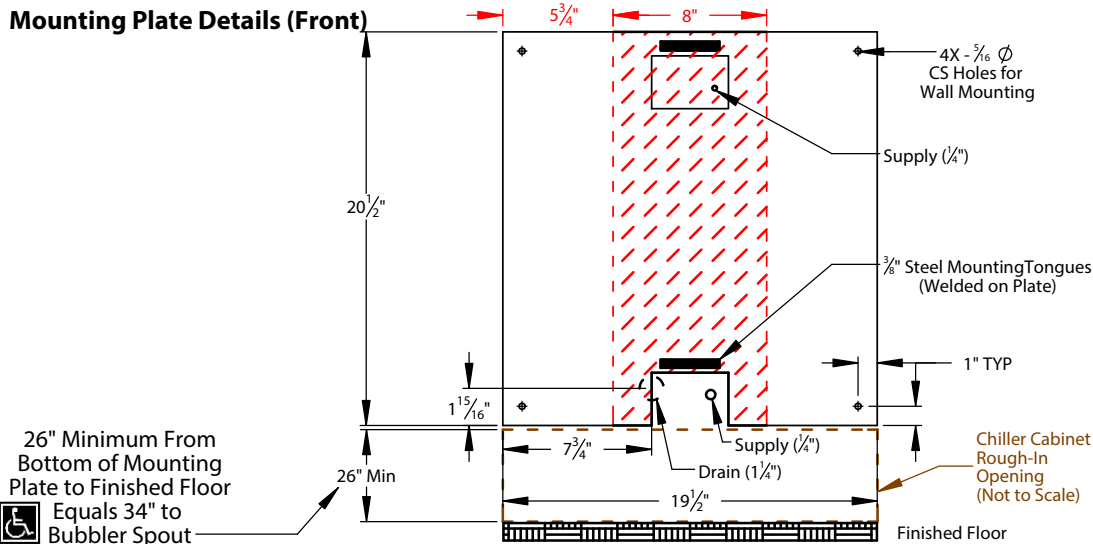
Oil Rubbed Bronze



Statuary Bronze



Mounting Plate Details (Front)



Approximate Rough-In Dimensions (hatched, left)

Model	Height	Width
Standard Plate	20 1/2"	8"

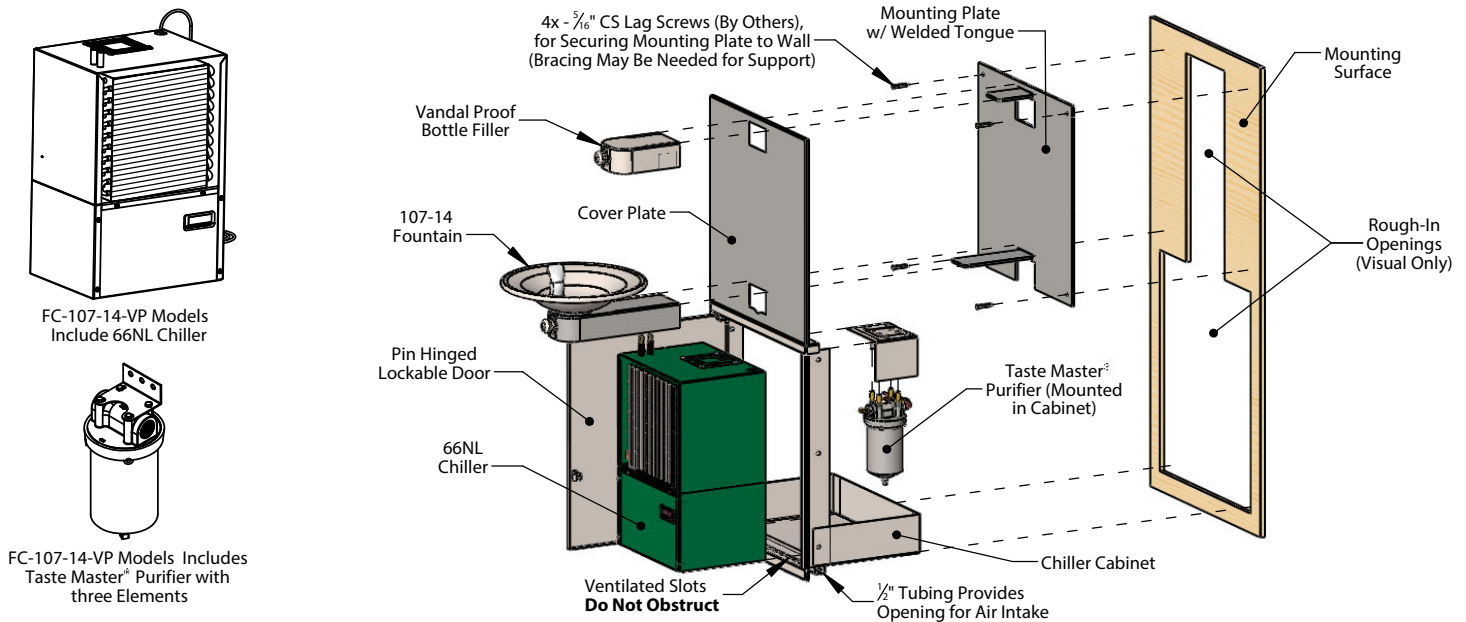
Approximate Chiller Cabinet Rough-In Dimensions (outlined, left)

Model	Height	Width
Chiller Cabinet	23" *	18 1/2"

*Wall opening must be 14" deep to allow room for chiller cabinet and purifier

All views shown are typical installation of FC-107-14-VP. Views, dimensions and diagrams may change for specific installation requirements.

Exploded On-Wall Installation View FC-107-14-VP



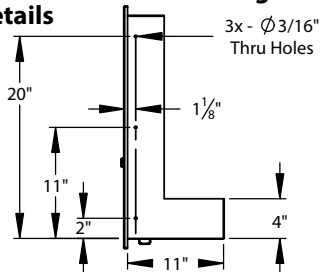
FC-107-14-VP Models Include 66NL Chiller

FC-107-14-VP Models Includes Taste Master® Purifier with three Elements

Typical Assembly Instructions (Always Install Per Local Code)

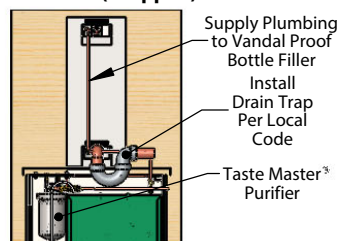
- Cut rough opening per install requirements (rough opening example shown above) and install blocking or fixture carriers as required to support the drinking fountain mounting plate and purifier cabinet in a minimum 14" deep wall.
- Cut a separate rough opening extending below the fountain mounting plate (23" high x 18 1/2" wide maximum rough in opening dimensions).
- Run drain pipe to center of opening on mounting plate and install drain trap in wall per local code.
- Run supply water line with service valve, if necessary.
- Attach piping assembly provided by Filtrine to the back side of the mounting plate with two screws and rubber gasket for standard bottle filler and flare connection for vandal proof bottle filler.
- Fasten mounting plate over rough opening with 5/16" countersunk lag bolts with bottom of plate 26" above the floor to meet ADA fountain height requirements of 34" to bubbler spout.
- Install chiller cabinet in rough opening below the mounting plate and slide the cover plate over the mounting plate. Using screws, fasten the cabinet to the mounting surface through the side flange of the cabinet.
- Slide the chiller into cabinet leaving ventilation holes open.
- Slide the fountain and vandal proof bottle filler arm over the horizontal tongues protruding from the mounting plate and fasten arms with set screws pushing slightly against the cover plate.
- Connect drain line to slip coupling and connect all supply water connections.
- Install security panels under fountain arm and vandal proof bottle filler with tamper resistant screws.

Chiller Cabinet Mounting Details

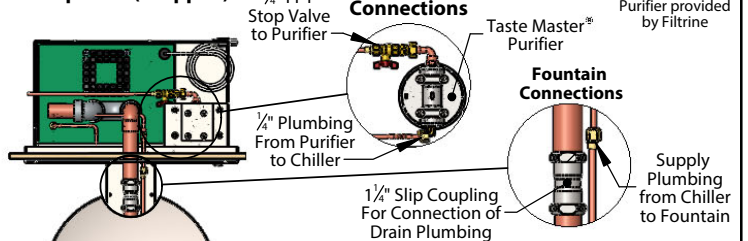


Typical Drain Plumbing Detail (In-Wall Plumbing Provided By Others, Install Per Local Code)

Back View (Cropped)



Top View (Cropped)



Unions, Elbows, and Adapters for Taste Master® Purifier provided by Filtrine