



B103-TM

Water Bottle Filling Station with Taste Master® Purifier



Water bottle filling station shown in #4 satin standard stainless steel finish with "Soft Touch" button valve in mirror finish and a Taste Master® purifier

Dimensions in drawing subject to options selected.

Features

- Long-lasting, durable stainless steel water dispenser, promotes refilling of water bottles
- One-piece cover plate with no seams or exposed edges
- Tamper-proof splash guard welded to cover plate
- 100% made in the USA
- No plastic parts
- Manufactured with lead-free materials
- Integral drain for ease of cleaning
- Matching cover plate finishes including unlimited powder coat colors
- Options include sensor activation, bottle counters, finishes, and much more...

B103-TM Models Include:

Purifier: Taste Master® TMS1-0.5

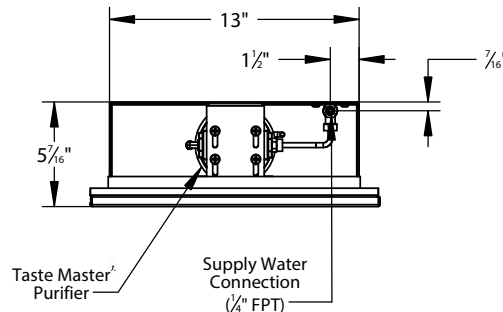
• **Construction:** Stainless steel housing

• **Element:** Carbon block removes particulates, cysts, chlorine, organic odors and tastes. Exclusive seal design negates bypassing and leaking.

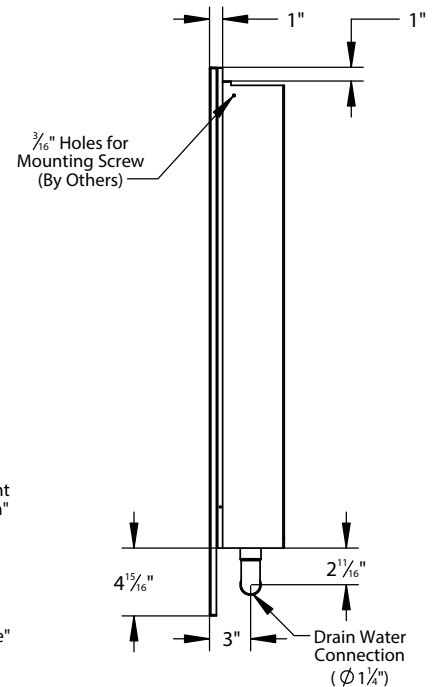
Recommended Add-ons Chiller

Equip your fountain with a Filtrine point-of-use or remote chiller to cool your drinking water. We can help you select the most economical chiller model to fit your demand.

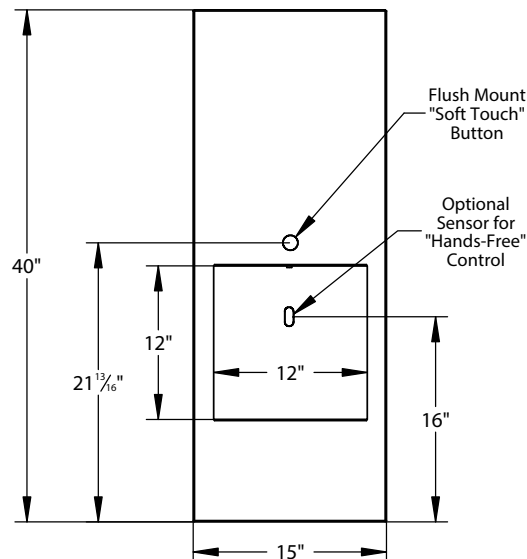
Top View



Side View



Front View



For options, finishes
and more see page 2



Filtrine Water Bottle Filling Station Options

[S] - Standard
[ADA] - ADA compliant

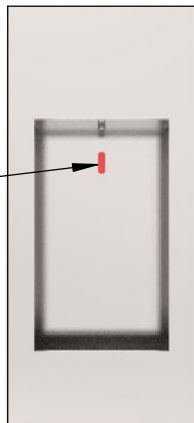
Bottle Filling Station Controls (Check One)

Flush Mounted "Soft Touch" Button Valve [S]



Flush Mount "Soft Touch" Push Button

Optional Sensor Activated Valve



"Hands Free" Sensor Activator

- Features automatic shutoff with [30] second delay
- Uses [4] AA batteries (included)
- 120/60/1 voltage available

"Soft Touch" Button: Material

Stainless Steel [S] Bronze

"Soft Touch" Button: Finish

Satin Mirror Statuary Bronze Oil Rubbed Bronze
 Powder Coat _____

Bottle Counter

Digital display of approximate number of bottles saved through fountain usage



Note: Only available with sensor activation

Other Bottle Filling Station Models:

Purifier Model B103-TM

Ensure that your drinking water is of the highest quality by adding a Filtrine Taste Master® purifier to the bottle filling station. The carbon block within the purifier removes particulates, cysts, chlorine, organic odors and tastes.



Cup Dispensers Models B103-C2 & -CD2

Model B103-C2 water bottle fillers are equipped with dual cup dispensers (bottom loading) and hold approximately 100 standard paper cups. For convenient cup disposal, specify Filtrine's B103-CD2 models that come with a cup disposal bin.



Water Heater Model B103-C2-HC

Add a built-in "instant" water heater for hot beverages on demand. Our Model B103-C2-HC is the industry's only in-wall bottle filling station that dispenses both regular and hot drinking water.



Water Chiller Model FCC-B103

Equip your fountain with a Filtrine point-of-use or remote chiller to cool your drinking water. We can help you select the most economical chiller model to fit your demand.



Combination Model B103-107

Combine two of our most popular water dispensers in an all-in-one space-saving unit. Give users the option of filling a water bottle or drinking directly from a fountain.



For the complete list of Bottle Filling Station models go to Filtrine.com

Interior Surface: Material (Check One)

Stainless Steel [S] Bronze

Interior Surface: Finish (Check One)

Satin Stainless [S] Mirrored Stainless Powder Coat _____ Satin Bronze Mirrored Bronze Statuary Bronze Oil-Rubbed Bronze

Exterior Surface: Material (Check One)

Stainless Steel [S] Bronze

Exterior Surface: Finish (Check One)

Satin Stainless [S] Mirrored Stainless Powder Coat _____ Satin Bronze Mirrored Bronze Statuary Bronze Oil-Rubbed Bronze

Stainless



Satin Stainless Steel [S]



Mirrored Stainless Steel

Bronze



Satin Bronze



Mirrored Bronze



Oil Rubbed Bronze



Statuary Bronze

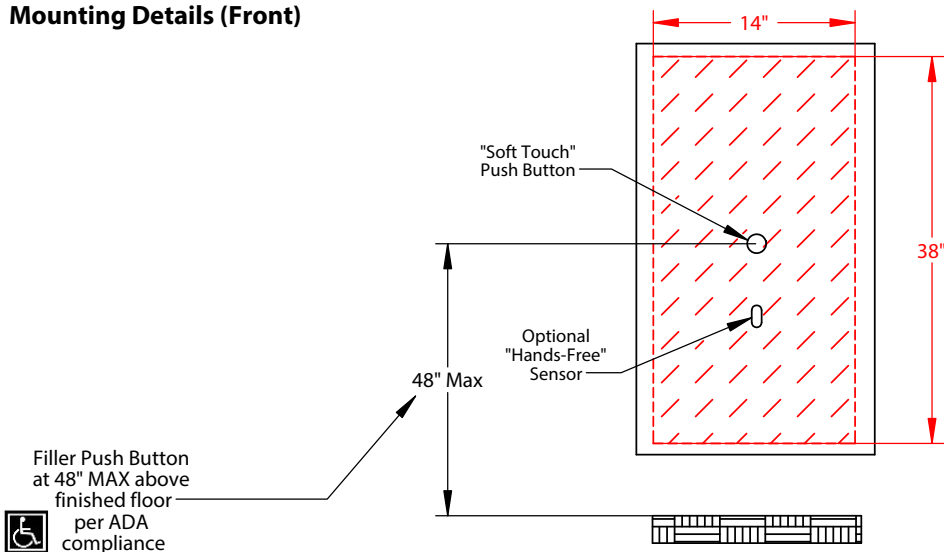
Powder Coat



Choose from an unlimited array of powder coat colors to match any decor!



Mounting Details (Front)



Approximate Rough-In Dimensions
(hatched, left)

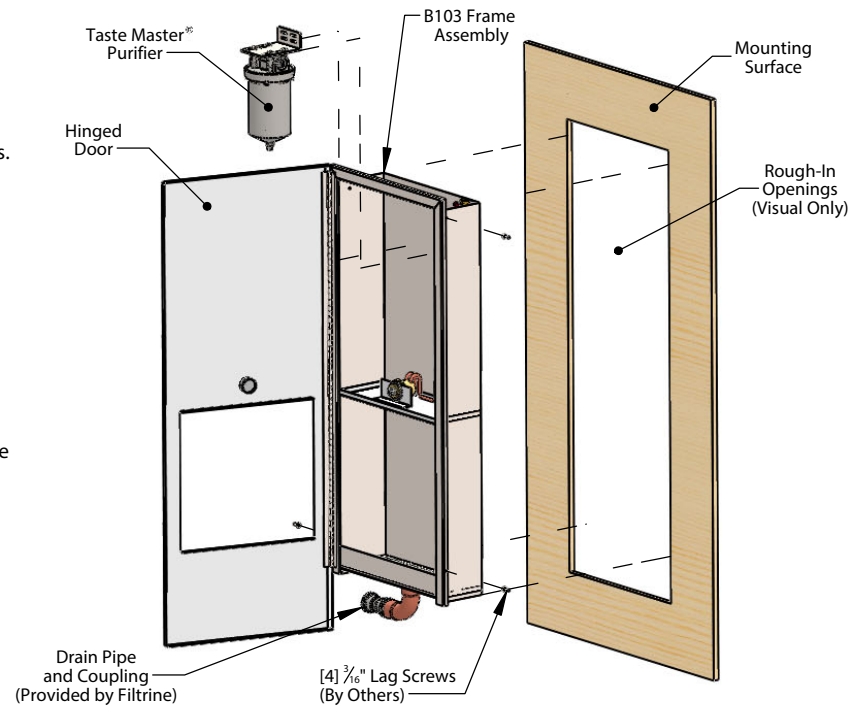
| Model | Height | Width | Depth |
|----------|--------|-------|-------|
| Standard | 38" | 14" | 5" |

All views shown are for typical installation of B103-TM. Views, dimensions and diagrams may change for specific installation requirements.

Exploded On-Wall Installation View of B103-TM Filling Station

Typical Assembly Instructions (Always Install Per Local Code)

1. Cut rough opening for filling station as shown above.
2. Install blocking as required to fasten the unit high and low on both sides.
3. Run supply water lines to the top of the opening for $\frac{1}{4}$ " FPT connection to stop valve.
4. Run drain piping to bottom side of opening for $\frac{1}{4}$ " slip coupling connection to the drain elbow.
5. Install the filling station fixture with $\frac{3}{16}$ " lag screws to support blocking.
6. Connect drain to trap (provided in field) and slip coupling (provided by factory).
7. Connect water to $\frac{1}{4}$ " FPT connection at top of fixture. Use plumber's tape and crescent wrench to insure all connections are tight.
8. Turn stop valve to "on" position and test water flow from the filler valve. Water should fill a 12oz bottle in 15 seconds or less. Adjust flow at regulator if required with straight screw driver.



Typical Drain Plumbing Detail (In-Wall Plumbing Provided By Others, Install Per Local Code)

