



# B103-107-16-MOD-HL

## Recessed Water Bottle Filling Station with High/Low Non-Recessed Drinking Fountains



Water bottle filling station\*, high/low fountain bowls, support arm and access panel shown in #4 satin standard stainless steel finish with "Soft Touch" button valves\* and bubblers\* in mirror finish

\*"Hands Free" option available

Dimensions in drawing subject to options selected.

### Features

- [2] 16" diameter, 16 ga. fountain bowls
- One-piece cover plate with no seams or exposed edges
- No plastic parts
- 100% made in the USA
- Manufactured with lead-free materials
- Integral drain in bowl for ease of cleaning
- Long-lasting, durable stainless steel water dispenser, promotes refilling of water bottles
- Sleek, low maintenance modern design
- $\frac{1}{4}$ " steel support arm and wall bracket capable of supporting 500 lbs.
- Matching cover plate finishes including unlimited powder coat colors
- Options include sensor activation, bottle counters, finishes, bubbler valves and much more...

### Recommended Add-ons

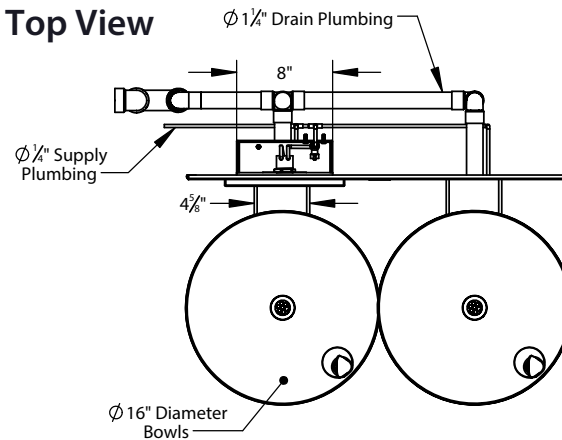
#### Chiller

Equip your fountain with a Filtrine point-of-use or remote chiller to cool your drinking water. We can help you select the most economical chiller model to fit your demand.

#### Purifier

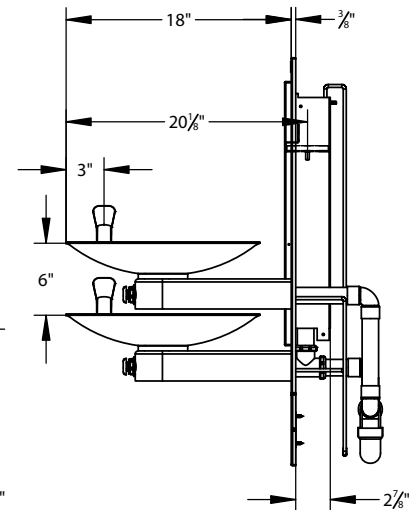
Ensure that your drinking water is of the highest quality by adding a Filtrine Taste Master® purifier cabinet underneath the fountain or a remote purification system serving all fountains in the building.

### Top View

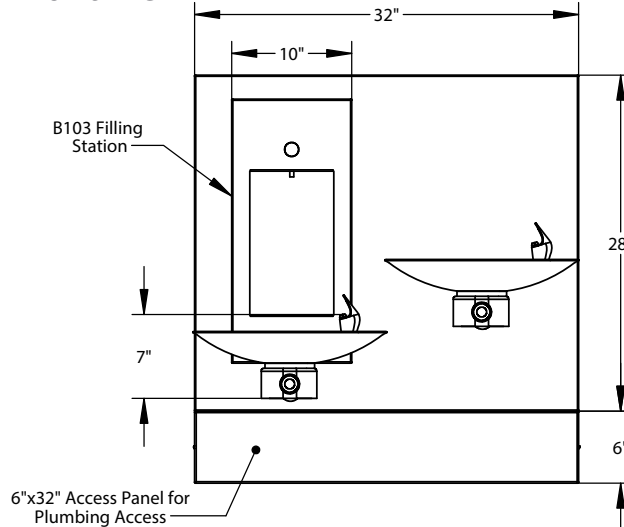


Select Low Fountain Location  
 Left [S]     Right

### Side View



### Front View



For options, finishes and more see page 2



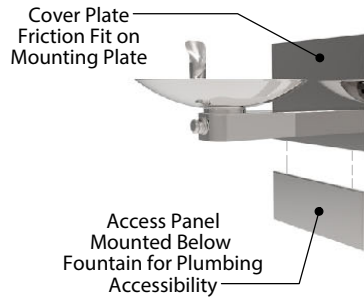


# Filtrine Water Bottle Filling Station/ Fountain Options

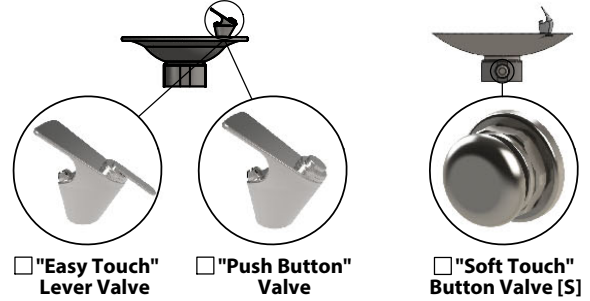
[S] - Standard  
☑ - ADA compliant

## Access Panel (Check One)

- 6" Standard Height
- Other Height \_\_\_\_\_ in
- Included with model B103-107-16-MOD-HL fountains
- Includes mounting brackets for simple wall installation
- Material, finish and width to match cover plate



## Fountain Bubbler Controls



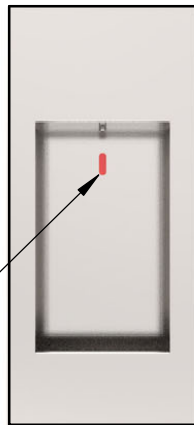
## Bottle Filling Station Controls (Check One)

Flush Mounted "Soft Touch" Button Valve [S]



Flush Mount "Soft Touch" Push Button

Optional "Hands Free" Sensor Activated Valve



"Hands Free" Sensor Activator

## Optional "Hands Free" Sensor Activated Bubbler

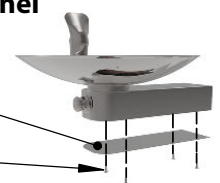


- Uses 4 x - AA lithium batteries (included), runs approximately 400,000 activation cycles
- Features automatic shutoff (30 sec)
- Helps prevent vandalism and water waste

## Optional Fountain Security Panel

16 ga. Plate Secured with Tamper-Resistant Screws for Added Security

4x-Tamper Resistant Screws



## Optional Bubbler Tamper Resistant Screws



## Bottle Filling Station & Fountain Finish (Check One)

Satin Stainless [S]    Mirrored Stainless    Powder Coat \_\_\_\_\_    Satin Bronze    Mirrored Bronze    Statuary Bronze    Oil-Rubbed Bronze

## Optional Cover Plate Finish (Check One)

Satin Stainless [S]    Mirrored Stainless    Powder Coat \_\_\_\_\_    Satin Bronze    Mirrored Bronze    Statuary Bronze    Oil-Rubbed Bronze

### Stainless

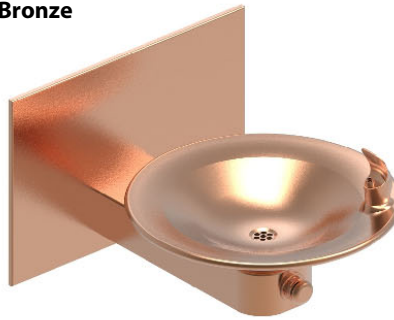


Satin Stainless Steel [S]

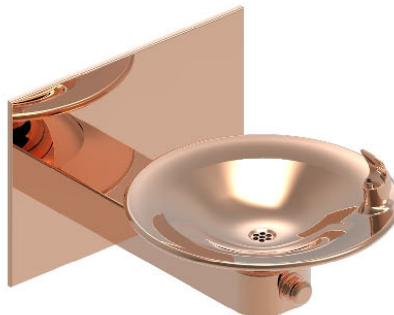


Mirrored Stainless Steel

### Bronze



Satin Bronze



Mirrored Bronze



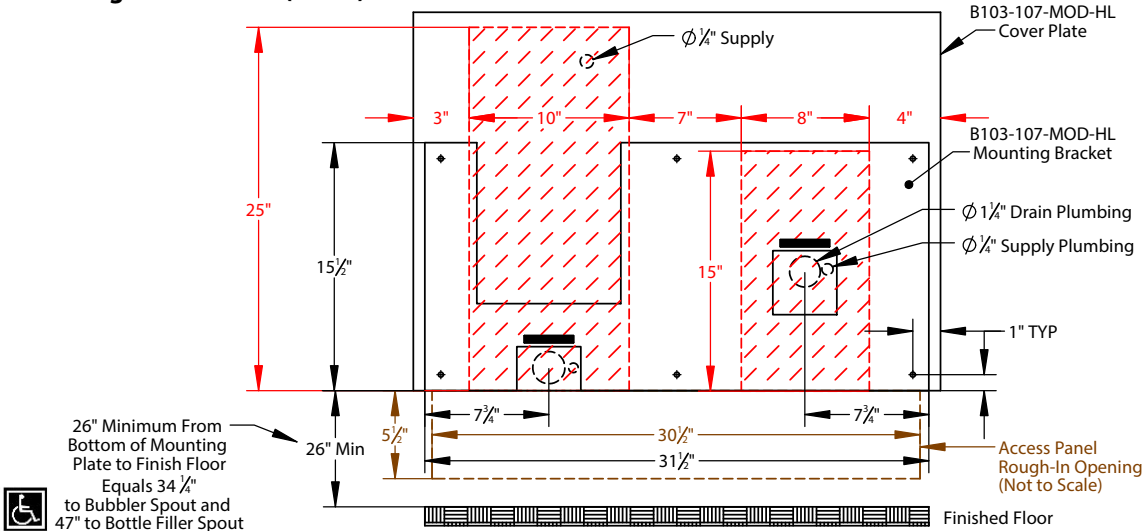
Oil Rubbed Bronze



Statuary Bronze



## Mounting Plate Details (Front)



### Approximate Rough-In Dimensions (hatched, left)

Model	Height	Width	Depth
High 107 Rough Opening	15"	8"	N/A
B103-Low 107 Rough Opening	25"	10"	4"

### Approximate Access Panel Rough-In Dimensions (outlined, left)

Model	Height	Width
Standard Panel	5 1/2"*	30 1/2"

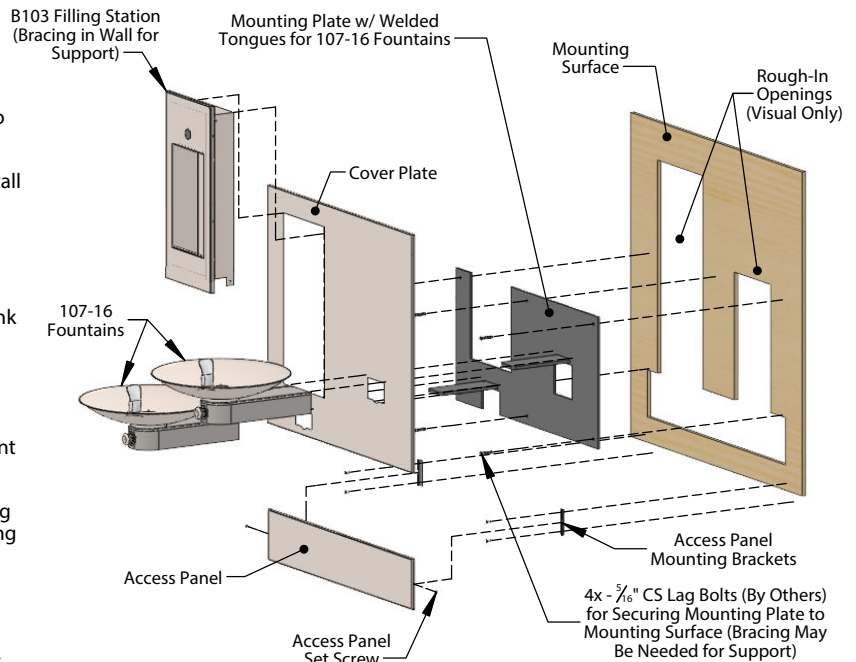
\*If height specified, rough-in height will be 1/2" less than specified height

All views shown are for typical installation of B103-107-16-MOD-HL. Views, dimensions and diagrams may change for specific installation requirements.

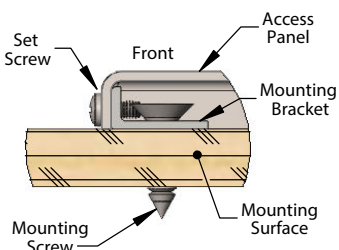
## Exploded On-Wall Installation View B103-107-16-MOD-HL with Access Panel

### Typical Assembly Instructions (Always Install Per Local Code)

1. Cut rough opening for fountain, bottle filler and access panel as shown above and install blocking or fixture carrier as required to support the assembly.
2. Run drain piping to slip coupling unions (shown below) and install drain trap per local code
3. Run supply water lines with service valve, if necessary (shown below).
4. Fasten mounting plate over rough opening with 5/16" countersunk lag bolts with bottom of plate 26" above the floor to meet ADA fountain height requirements.
5. Install cover plate over the mounting plate.
6. Place B103 bottle filling station in cover plate opening and mount in place using holes located on the side of the B103 frame.
7. Slide the 107-14 fountain over the horizontal tongues protruding from the mounting plate and fasten arms with set screws pushing slightly against the cover plate or finished wall.
8. Connect drain lines to slip coupling and connect supply water connections.
9. Measure, mark and install the included access panel "L" brackets with #8-32 screws and align access panel to cover plate with alignment pins.



## Access Panel Mounting Brackets Installation Details



### Detailed View of Top of Access Panel Mounting Bracket Assembly

## Typical Drain Plumbing Detail (In-Wall Plumbing Provided By Others, Install Per Local Code)

