

# B103-107-16

## Recessed Water Bottle Filling Station with Non-Recessed Drinking Fountain



Water bottle filling station\*, fountain bowl, support arm and access panel shown in #4 satin standard stainless steel finish with "Soft Touch" button valve\* and bubbler\* in mirror finish

\*"Hands Free" option available

Dimensions in drawing subject to options selected.

### Features

- 16" diameter, 16 ga. fountain bowl
- One-piece cover plate with no seams or exposed edges
- No plastic parts
- 100% made in the USA
- Manufactured with lead-free materials
- Integral drain in bowl for ease of cleaning
- Long-lasting, durable stainless steel water dispenser, promotes refilling of water bottles
- Sleek, low maintenance modern design
- $\frac{1}{4}$ " steel support arm and wall bracket capable of supporting 500 lbs.
- Matching cover plate finishes including unlimited powder coat colors
- Options include sensor activation, bottle counters, finishes, bubbler valves and much more...

### Recommended Add-ons

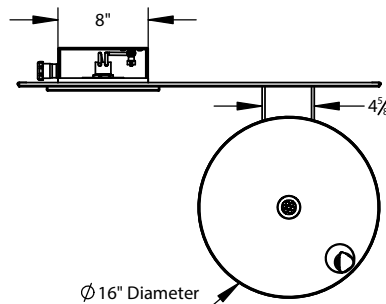
#### Chiller

Equip your fountain with a Filtrine point-of-use or remote chiller to cool your drinking water. We can help you select the most economical chiller model to fit your demand.

#### Purifier

Ensure that your drinking water is of the highest quality by adding a Filtrine Taste Master® purifier cabinet underneath the fountain or a remote purification system serving all fountains in the building.

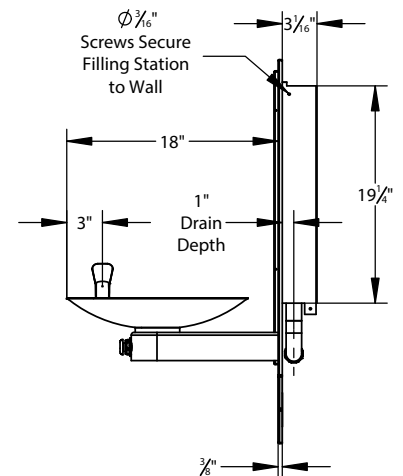
### Top View



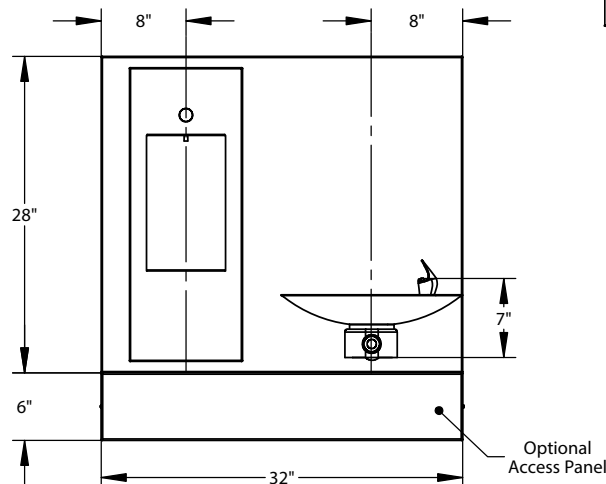
### Select Fountain Bowl Location

- Left     Right [S]

### Side View



### Front View



For options, finishes and more see page 2



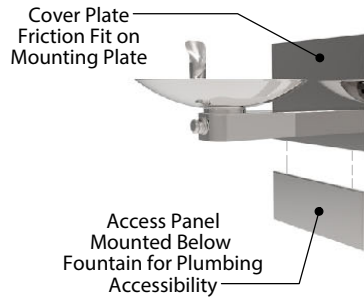
# Filtrine Water Bottle Filling Station/ Fountain Options

[S] - Standard  
☑ - ADA compliant

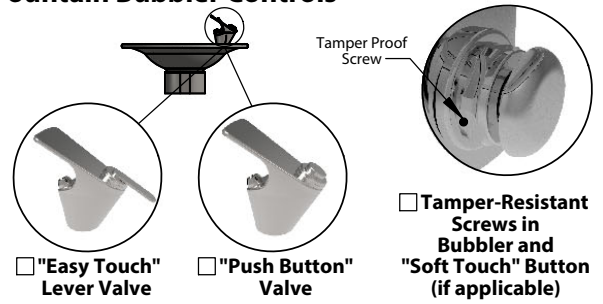
## Optional Access Panel (Check One)

- 6" Standard Height
- Other Height \_\_\_\_\_ in

- Includes mounting brackets for simple wall installation
- Material, finish and width to match cover plate



## Fountain Bubbler Controls



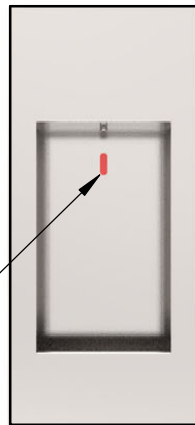
## Bottle Filling Station Controls (Check One)

### Flush Mounted "Soft Touch" Button Valve [S]



Flush Mount "Soft Touch" Push Button

### Optional "Hands Free" Sensor Activated Valve



"Hands Free" Sensor Activator

## Optional "Hands Free" Sensor Activated Bubbler

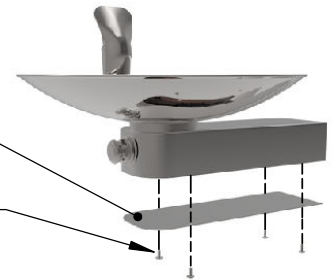


- Uses 4 x - AA lithium batteries (included), runs approximately 400,000 activation cycles
- Features automatic shutoff (30 sec)
- Helps prevent vandalism and water waste
- Access Panel required with sensor

## Optional Fountain Security Panel

16 ga. Plate Secured with Tamper-Resistant Screws for Added Security

4x-Tamper Resistant Screws



## Bottle Filling Station & Fountain Finish (Check One)

Satin Stainless [S]    Mirrored Stainless    Powder Coat \_\_\_\_\_    Satin Bronze    Mirrored Bronze    Statuary Bronze    Oil-Rubbed Bronze

## Optional Cover Plate Finish (Check One)

Satin Stainless [S]    Mirrored Stainless    Powder Coat \_\_\_\_\_    Satin Bronze    Mirrored Bronze    Statuary Bronze    Oil-Rubbed Bronze

### Stainless

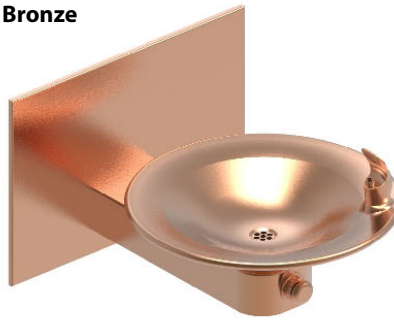


Satin Stainless Steel [S]

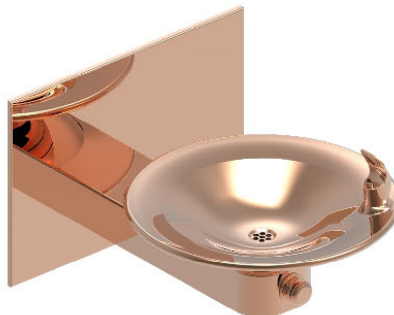


Mirrored Stainless Steel

### Bronze



Satin Bronze



Mirrored Bronze



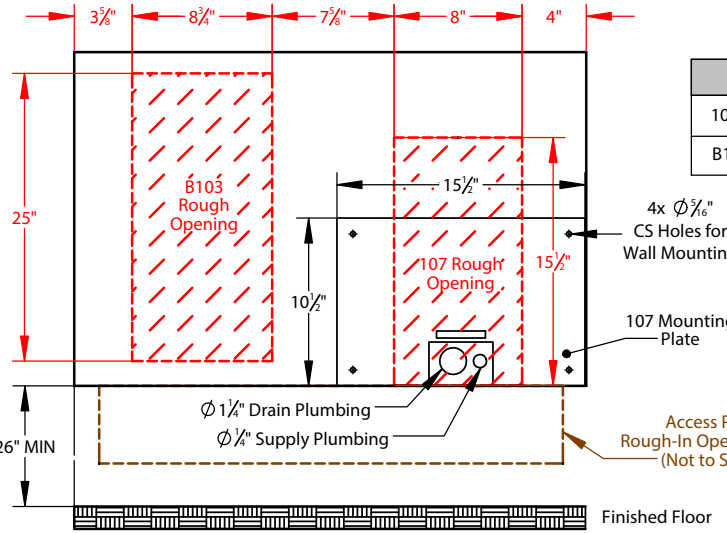
Oil Rubbed Bronze



Statuary Bronze



## Mounting Plate Details (Front)



### Approximate Rough-In Dimensions (hatched, left)

Model	Height	Width	Depth
107 Mounting Plate	15 1/2"	8"	N/A
B103 Filling Station	25"	8 3/4"	4"

### Approximate Access Panel Rough-In Dimensions (outlined, left)

Model	Height	Width
Standard Panel	5 1/2" *	30 1/2"

\*If height specified, rough-in height will be 1/2" less than specified height

All views shown are for typical installation of B103-107-16. Views, dimensions and diagrams may change for specific installation requirements.

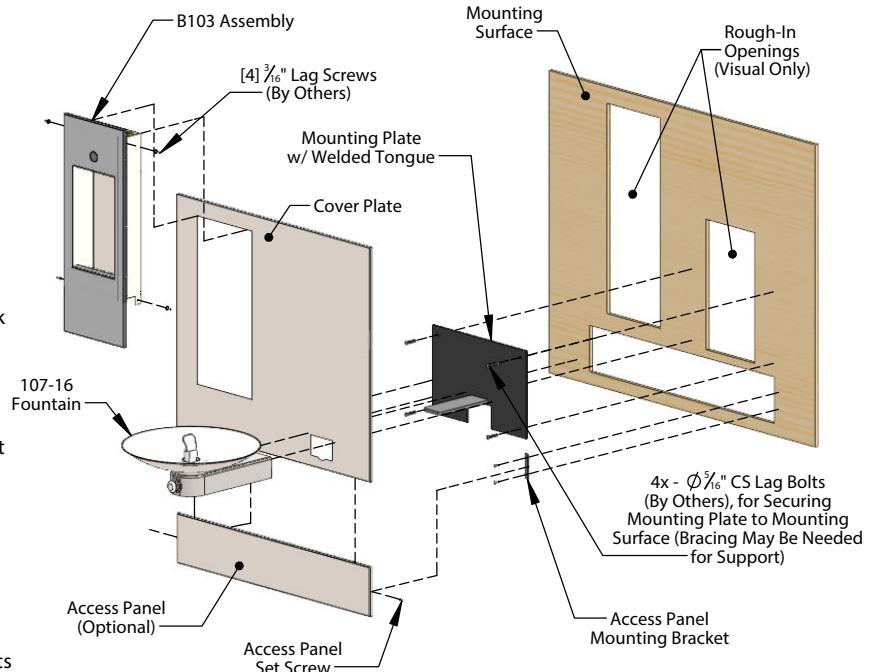
26" Minimum From Bottom of Mounting Plate to Finish Floor  
Equals 34 1/4" to Bubbler Spout and 47" to Bottle Filler Spout



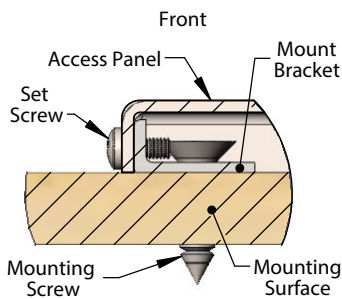
## Exploded On-Wall Installation View B103-107-16 with Access Panel

### Typical Assembly Instructions (Always Install Per Local Code)

1. Cut rough opening for fountain, bottle filler and access panel as shown above and install blocking or fixture carrier as required to support the assembly.
2. Run drain piping to the slip coupling unions (shown below) and install drain trap per local code
3. Run supply water lines with service valve, if necessary (shown below).
4. Fasten mounting plate over rough opening with 5/16" countersunk lag bolts with bottom of plate 26" above the floor to meet ADA fountain height requirements.
5. Install cover plate over the mounting plate.
6. Place B103 bottle filling station in cover plate opening and mount in place using holes located on the side of the B103 frame.
7. Slide the 107-16 fountain over the horizontal tongue protruding from the mounting plate and fasten arm with set screws pushing slightly against the cover plate or finished wall.
8. Connect drain lines to slip couplings and connect supply water connections.
9. If included, measure, mark and install the access panel "L" brackets with #8-32 screws and align access panel to cover plate with alignment pins.



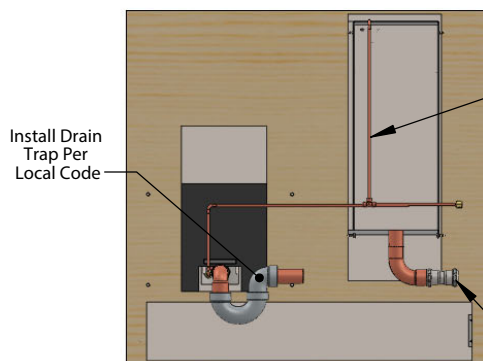
## Access Panel Mounting Brackets Installation Details



### Detailed View of Top of Mounting Bracket Assembly

## Typical Drain Plumbing Detail (In-Wall Plumbing Provided By Others, Install Per Local Code)

### Back View (Cropped)



### Top View (Cropped)

