

Model 90-TM

Non-Recessed Drinking Fountain with In-Wall Taste Master® Purifier



Fountain bowl, cover plate and purifier cabinet shown in standard stainless steel finish with a "Push Button" bubbler in mirror finish and a Taste Master® purifier (in cabinet)

Dimensions in drawing subject to options selected.

Features

- 10½" diameter, 16 ga. fountain bowl
- No plastic parts
- 100% made in the USA
- Manufactured with lead-free materials
- Integral drain in bowl for ease of cleaning
- Continuous weld construction leaving no visible seams
- Matching cover plate (or with other finishes including unlimited powder coat colors)
- Options include vandal proof bubblers, bottle fillers, sensor activation, bottle counters, finishes, bubbler valves, and more...

90-TM Models Include:

Purifier: Taste Master® TMS1-0.5

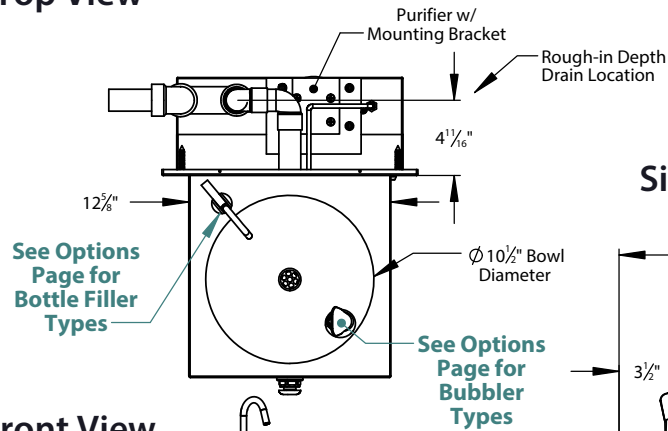
- **Construction:** Stainless steel housing
- **Element:** 0.5 micron carbon block removes particulates, cysts, chlorine, organic odors and tastes. Exclusive seal design negates bypassing and leaking.

Recommended Add-ons

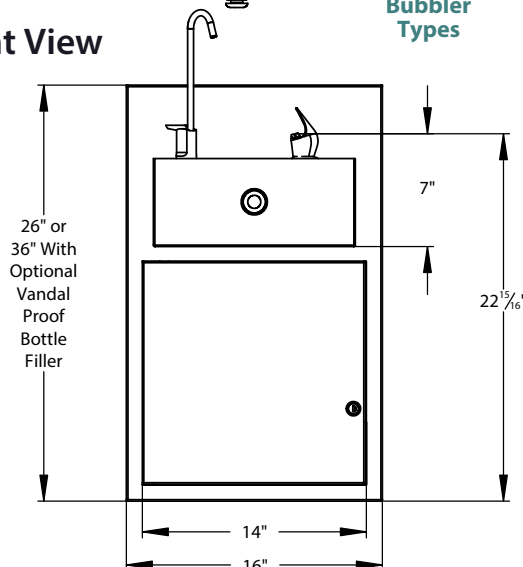
Chiller

Equip your fountain with a Filtrine point-of-use or remote chiller to cool your drinking water. We can help you select the most economical chiller model to fit your demand.

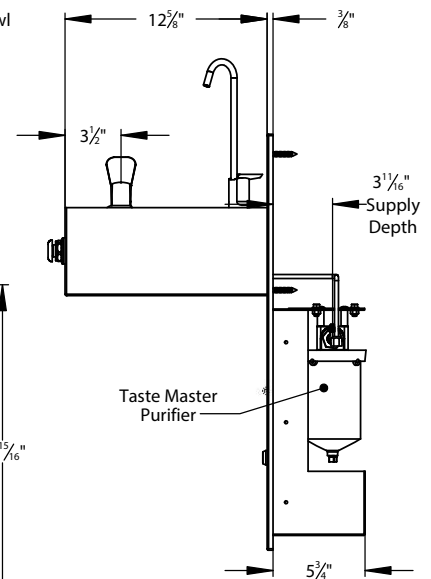
Top View



Front View



Side View



For options, finishes and more see page 2

Optional Vandal Proof Bottle Filler



- "Soft Touch" Valve Sensor Activation*
- Mounted 10 1/2" above lowest fountain bowl.
- Comes standard with bottom security panel assembled with tamper proof screws.
- Requires larger cover plate and mounting plate.
- Supply plumbing and mounting tongue for filler provided by Filtrine.

*Not available with sensor activated bubbler on same bowl.

Optional Gooseneck Bottle Fillers (Check One)

- "Push Back" Lever style (9 1/4" high)
- "Push Button" Valve (12 3/4" high)



- Mounted on back of lowest fountain bowl
- Easy-to-use stainless steel "Push Back" lever
- Supply plumbing and mounting fitting for filler provided by Filtrine
- Tamper resistant fillers available upon request

Model CC-153

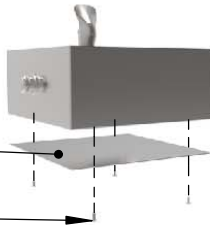


- Mounted on back of lowest fountain bowl
- Easy-to-use "push button" valve
- Supply plumbing and mounting fitting for filler provided by Filtrine
- Built-in flow adjustment
- Tamper resistant fillers available upon request

Model CC-161

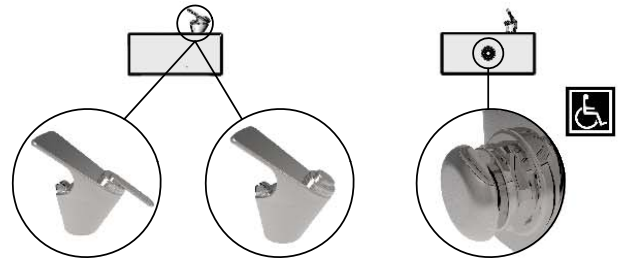
Optional Security Panel

16 ga. Plate
Secured with
Tamper-Resistant
Screws for Added
Security



4x-Tamper
Resistant Screws

Bubbler Controls (Check One)



- "Easy Touch" Lever Valve
- "Push Button" Valve
- "Soft Touch" Button Valve [S]

Optional Fountain Sensor Activated Bubbler*



- Uses 4x-AA lithium batteries (included), runs approximately 400,000 activation cycles.
- Features automatic shutoff (30 sec).
- Helps prevent vandalism and water waste.

*Not available with sensor activated bottle filler on same bowl.

Fountain Finish (Check One)

- Satin Stainless [S]
- Mirrored Stainless
- Satin Bronze
- Mirrored Bronze
- Statuary Bronze
- Oil-Rubbed Bronze

Optional Cover Plate Finish (Check One)

- Satin Stainless [S]
- Mirrored Stainless
- Powder Coat _____
- Satin Bronze
- Mirrored Bronze
- Statuary Bronze
- Oil-Rubbed Bronze

Stainless

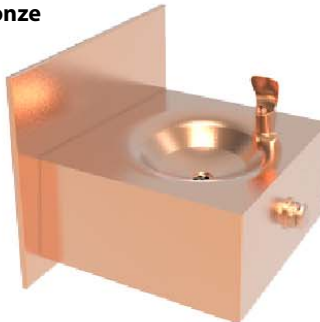


Satin Stainless Steel [S]



Mirrored Stainless Steel

Bronze



Satin Bronze



Mirrored Bronze



Oil Rubbed Bronze

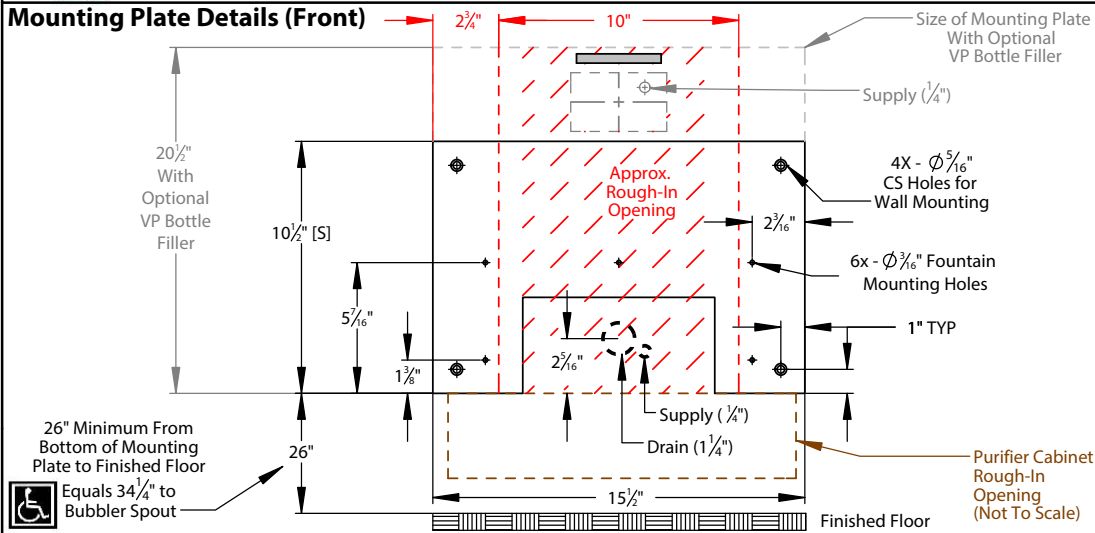


Statuary Bronze



Model 90-TM Drinking Water Installation Drawing

Mounting Plate Details (Front)



Approximate Rough-In Dimensions (hatched, left)

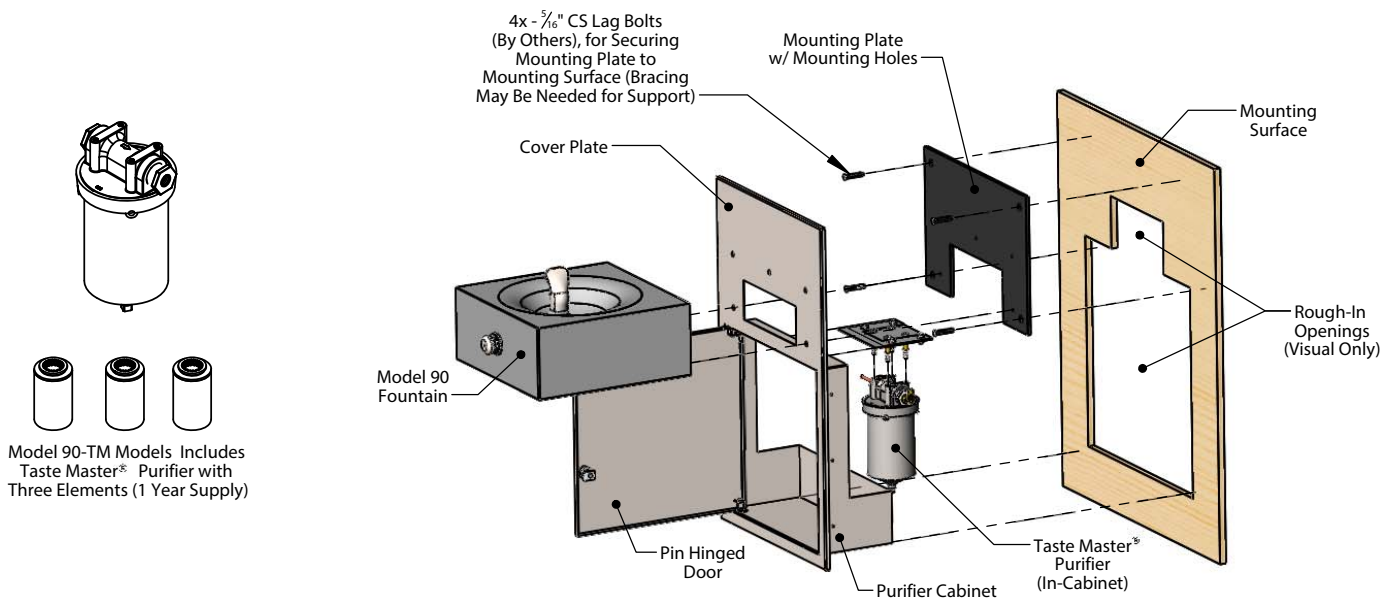
Model	Height	Width
Standard Plate	10 1/2"	10"
Bottle Filler Plate	20 1/2"	10"

Approximate Purifier Cabinet Rough-In Dimensions (outlined, left)

Model	Height	Width
Standard Panel	15"	15"

All views shown are for typical installation of Model 90-TM. Views, dimensions and diagrams may change for specific installation requirements.

Exploded On-Wall Installation View Model 90-TM

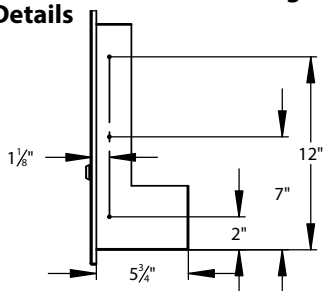


Model 90-TM Models Includes Taste Master® Purifier with Three Elements (1 Year Supply)

Typical Assembly Instructions (Always Install Per Local Code)

- Cut rough opening per install requirements (rough opening example shown above) and install blocking or fixture carriers as required to support the drinking fountain mounting plate and purifier cabinet in a minimum 6" deep wall.
- Cut a separate rough opening extending below the fountain mounting plate (table, top-right).
- Run drain pipe to center of openings on mounting plate and install drain trap in wall per local code.
- Run supply water line with service valve, if necessary.
- If optional vandal proof bottle filler is included with order, attach piping assembly provided by Filtrine to the back side of the mounting plate with flare connection.
- Fasten mounting plate over rough opening with 5/16" countersunk lag bolts with bottom of plate 26" above the floor to meet ADA fountain height requirements of 34 1/4" to fountain bubbler.
- Install purifier cabinet in rough opening below the mounting plate and slide the cover plate over the mounting plate. Using screws, fasten the cabinet to the mounting surface through the side flange of the cabinet.
- Secure the fountain to the mounting plate using screws provided and slide vandal proof bottle filler arm (if ordered) over the horizontal tongue protruding from the mounting plate and fasten arm with set screws pushing slightly against the cover plate.
- Connect drain line to slip coupling and connect supply water connections.

Purifier Cabinet Mounting Details



Typical Drain Plumbing Detail (In-Wall Plumbing Provided By Others, Install Per Local Code)

