

# Model 90

## Non-Recessed Drinking Fountain



Fountain bowl and optional cover plate shown in standard #4 satin stainless steel finish with "Push Button" bubbler in mirror finish

Dimensions in drawing subject to options selected.

### Features

- 10½" diameter, 16 ga. fountain bowl
- No plastic parts
- 100% made in the USA
- Manufactured with lead-free materials
- Integral drain in bowl for ease of cleaning
- Continuous weld construction leaving no visible seams
- Optional matching cover plate (or with other finishes including unlimited powder coat colors)
- Options include vandal proof bubblers, bottle fillers, sensor activation, finishes, bubbler valves and much more...

### Recommended Add-ons

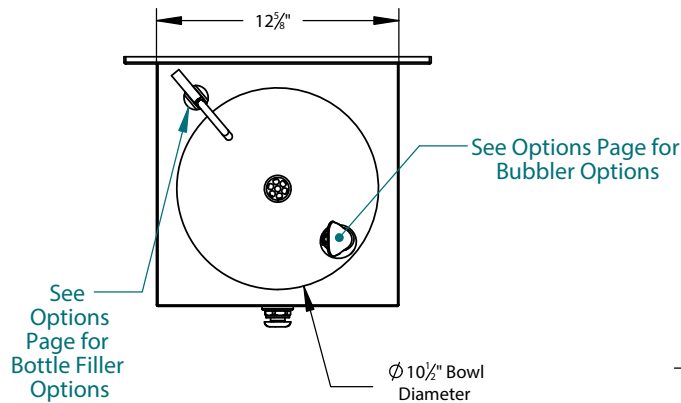
#### Chiller

Equip your fountain with a Filtrine point-of-use or remote chiller to cool your drinking water. We can help you select the most economical chiller model to fit your demand.

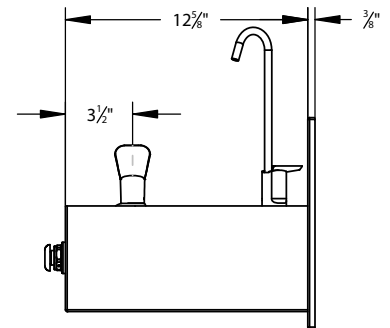
#### Purifier

Ensure that your drinking water is of the highest quality by adding a Filtrine Taste Master purifier cabinet underneath the fountain or a remote purification system serving all fountains in the building.

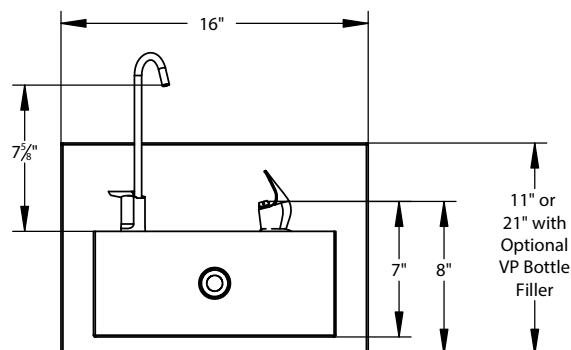
### Top View



### Side View



### Front View



For options, finishes and more see page 2



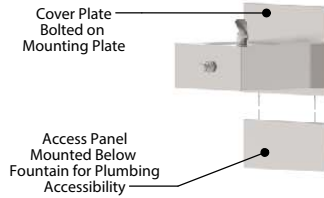
# Filtrine Drinking Water Non-Recessed Fountain Options

[S] - Standard  
☑ - ADA compliant

## Optional Access Panel

6" Standard Height  Other Height \_\_\_\_\_ in

- Material, finish and width to match cover plate
- Includes mounting brackets for simple wall installation



## Optional Vandal Proof Bottle Filler

"Soft Touch" Valve  Sensor Activation\*

- Mounted 10½" above lowest fountain bowl.
- Comes standard with bottom security panel assembled with tamper proof screws.
- Requires larger cover plate and mounting plate.
- Supply plumbing and mounting tongue for filler provided by Filtrine.



\*Not available with sensor activated bubbler on same bowl.

## Optional Gooseneck Bottle Fillers (Check One)

"Push Back" lever style (9 ¼" high)

- Mounted on back of lowest fountain bowl
- Easy-to-use stainless steel "Push Back" lever
- Supply plumbing and mounting fitting for filler provided by Filtrine
- Tamper resistant fillers available upon request



Model CC-153

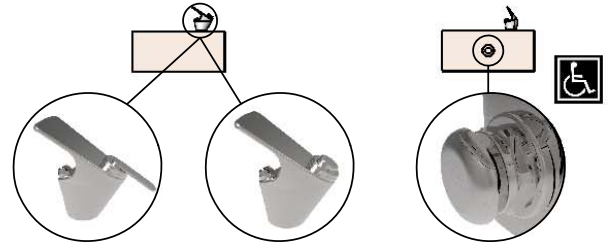
"Push Button" valve (12 ¾" high)

- Mounted on back of lowest fountain bowl
- Easy-to-use "push button" valve
- Supply plumbing and mounting fitting for filler provided by Filtrine
- Built-in flow adjustment
- Tamper resistant fillers available upon request



Model CC-161

## Bubbler Controls (Check One)



"Easy Touch" Lever Valve

"Push Button" Valve

"Soft Touch" Button Valve [S]

## Optional Fountain Sensor Activated Bubbler\*

"Hands Free" Sensor Activator



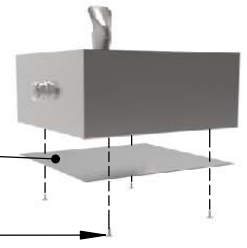
- Uses 4x-AA lithium batteries (included), runs approximately 400,000 activation cycles.
- Features automatic shutoff (30 sec).
- Helps prevent vandalism and water waste.

\*Not available with sensor activated bottle filler on same bowl.

## Optional Security Panel

16 ga. Plate Secured with Tamper-Resistant Screws for Added Security

4x-Tamper Resistant Screws



## Fountain Finish (Check One)

Satin Stainless [S]  Mirrored Stainless  Satin Bronze  Mirrored Bronze  Statuary Bronze  Oil-Rubbed Bronze

## Optional Cover Plate Finish (Check One)

Satin Stainless [S]  Mirrored Stainless  Powder Coat \_\_\_\_\_  Satin Bronze  Mirrored Bronze  Statuary Bronze  Oil-Rubbed Bronze

### Stainless

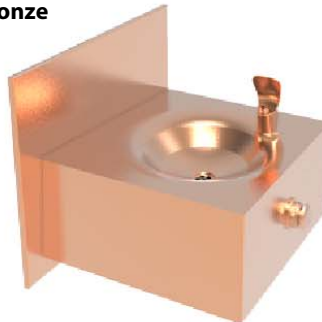


Satin Stainless Steel [S]



Mirrored Stainless Steel

### Bronze



Satin Bronze



Mirrored Bronze

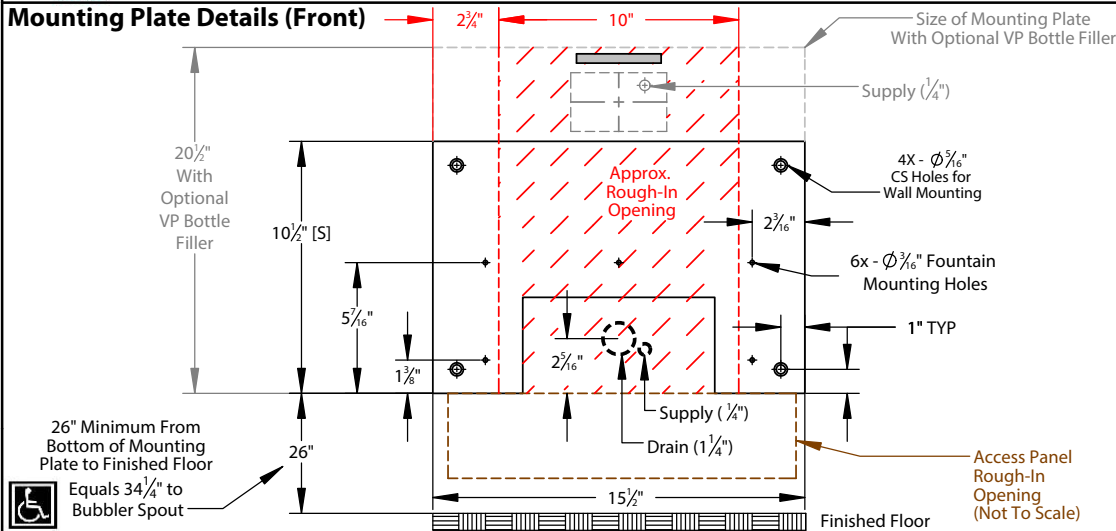


Oil Rubbed Bronze



Statuary Bronze





Approximate Rough-In Dimensions (hatched, left)

Model	Height	Width
Standard Plate	10 1/2"	10"
Bottle Filler Plate	20 1/2"	10"

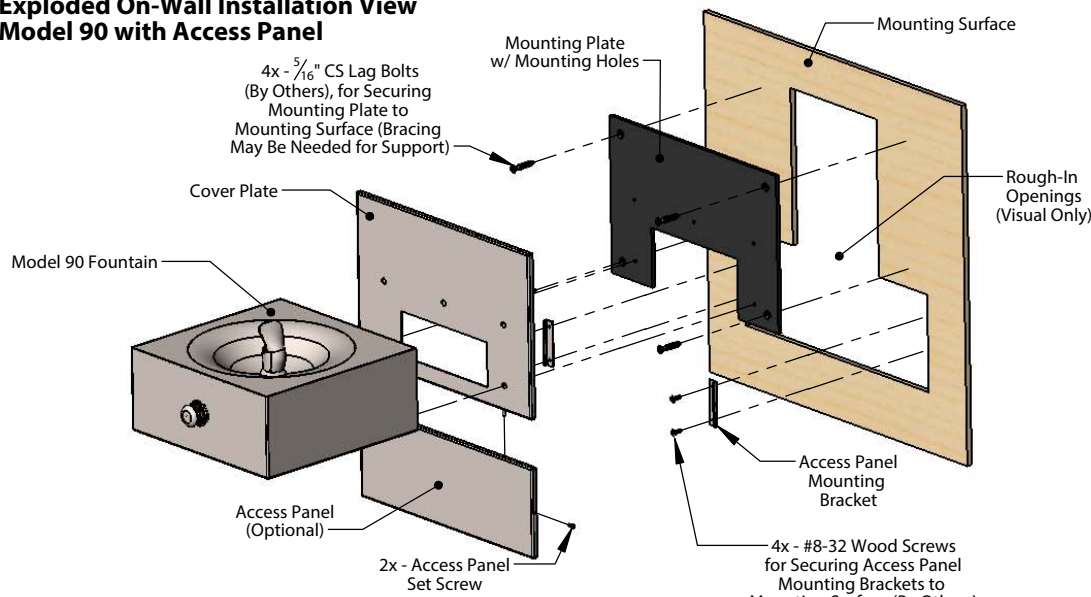
Approximate Access Panel Rough-In Dimensions (outlined, left)

Model	Height	Width
Standard Panel	5 1/2" *	14 1/2"

\*If width specified, rough-in width will be 1/2" less than specified width

All views shown are for typical installation of Model 90. Views, dimensions and diagrams may change for specific installation requirements.

## Exploded On-Wall Installation View Model 90 with Access Panel

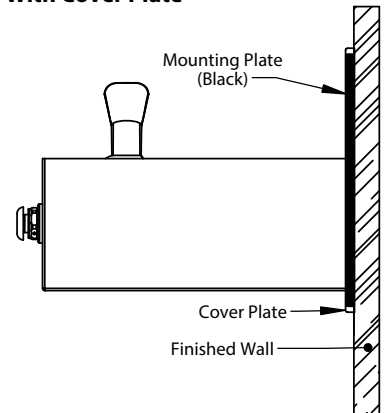


## Typical Assembly Instructions (Always Install Per Local Code)

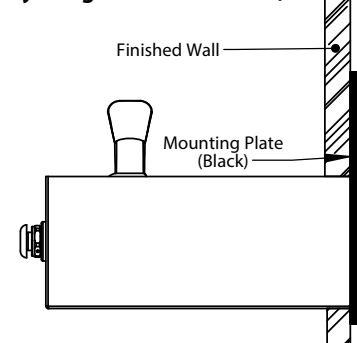
1. Cut rough opening as shown above and install blocking or fixture carrier as required to support the assembly.
2. If optional access panel was ordered cut a separate rough opening (table, top right) extending below the fountain mounting plate.
3. Run drain piping to center of openings on mounting plate and install drain trap in wall per local code.
4. Run supply water line with service valve, if necessary.
5. If vandal proof bottle filler is included with order, attach piping assembly provided by Filtrine to the back side of the mounting plate with flare connection for vandal proof bottle filler.
6. Fasten mounting plate over rough opening with 5/16" countersunk lag bolts with bottom of plate 26" above the floor to meet ADA fountain height requirement of 34 1/4" to the bubbler spout.
7. Fasten mounting plate over rough opening with 5/16" countersunk lag bolts with bottom of plate 26" above the floor to meet ADA fountain height requirement of 34 1/4" to the bubbler spout.
8. Secure the fountain and cover plate over the mounting plate with bolts provided for on-wall installations. Cover plate not required for in-wall installation.
9. If optional vandal proof bottle filler is included, slide vandal proof bottle filler arm over the horizontal tongue protruding from the mounting plate and secure with set screws pushing slightly against the cover plate or finished wall.
10. Connect drain line to slip coupling and connect supply water connection.
11. If your model includes the access panel, measure, mark and install the included "L" brackets with #8-32 screws and align panel to cover plate with alignment pins.

## 1/4" Steel Mounting Plate Can Be Mounted on Wall Surface or Inside Wall as Shown Below.

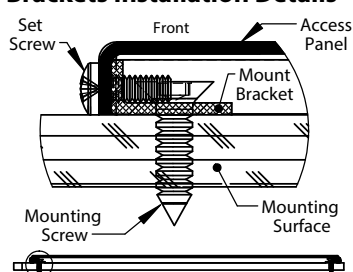
### On-wall Mounting Detail With Cover Plate



### In-wall Mounting Detail No Cover Plate (Only Rough Cut for Ftn Arm)



## Access Panel Mounting Brackets Installation Details



## Typical Drain Plumbing Detail (In-Wall Plumbing Provided By Others, Install Per Local Code)

