



FILTRINE FOUNTAIN COLLECTION

Model 107-T

Non-Recessed Trapezoid Fountain



16 gauge satin finish stainless steel bowl shown in a trapezoid of polished marble with matching support arm and mirror finish "Push Button" bubbler.



Filtrine Fountain Collection

Model 107-T Marble Non-Recessed Fountain

Features

- 10" diameter, 16 ga. stainless steel or bronze fountain bowl, set into a marble trapezoid fountain deck (multiple marble types and colors available)
- 1/4" steel mounting plate with a welded 3/8" steel tongue extending into support arm for maximum horizontal stability, capable of supporting 500 lbs.
- Sleek looking 14 ga. support arm. Material and finish to match bowl.
- Manufactured with lead-free materials
- 100% made in USA
- No plastic parts

Standard 107-T fountain shown. Wheelchair accessible fountains and other options available upon request.

Fountain Options

Bowl Material Finishes

- | | |
|-------------------------------------|------------------------------------|
| Bronze: | Stainless Steel [S]: |
| <input type="checkbox"/> Satin | <input type="checkbox"/> Satin [S] |
| <input type="checkbox"/> Mirrored | <input type="checkbox"/> Mirrored |
| <input type="checkbox"/> Statuary | |
| <input type="checkbox"/> Oil-Rubbed | |

Trapezoid Deck:

Marble Type: _____

Marble Color: _____

Fountain Bubbler Controls (finish to match bowl)

- Separate "Soft-Touch" Button [S]
- Integral "Push Button" Bubbler
- "Easy-Touch Lever" Bubbler
- "Hands-Free" Sensor

Mounting and Installation Options

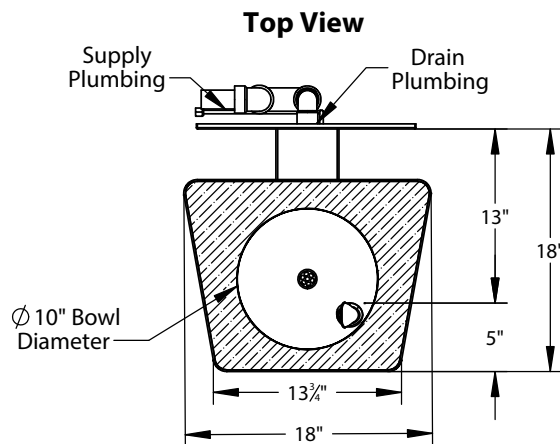
- On-wall installation (matching 16" x 11" cover plate)
- In-wall installation (no cover plate)

Optional Access Panel

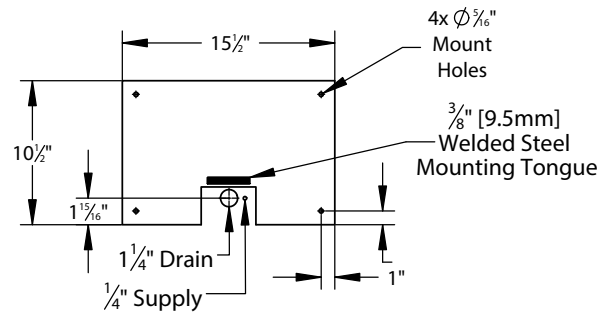
- 6" High Access Panel (Included with "Hands-Free Sensor")

107-T Drawing

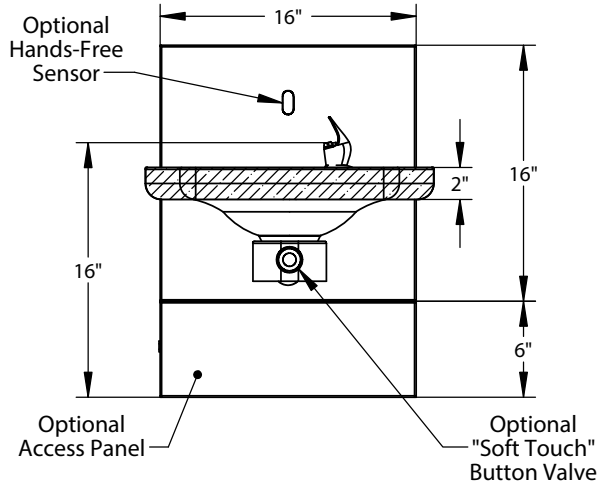
Dimensions in drawing subject to options selected.



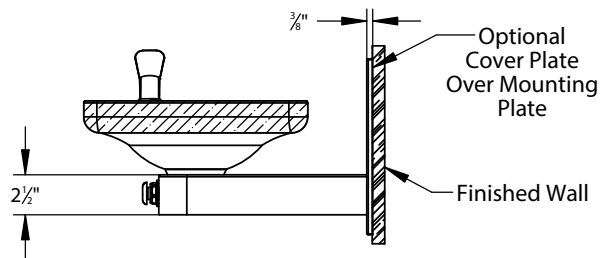
Mounting Plate



Front View



Side View for On-Wall Installation



Side View for In-Wall Installation (No Cover Plate)

