



107-14-VP-TM

Non-Recessed Vandal Proof Drinking Fountain
with In-Wall Taste Master® Purifier and Vandal Proof Bottle Filler



Fountain bowl, cover plate and Taste Master® purifier cabinet shown in standard #4 satin stainless steel finish with "Soft Touch" button valve, bubbler and vandal proof bottle filler in mirror finish

Dimensions in drawing subject to options selected.

Features

- 14" diameter, 16 ga. fountain bowl
- No plastic parts
- 100% made in the USA
- Manufactured with lead-free materials
- Integral drain in bowl for ease of cleaning
- 1/4" steel support arms and wall bracket capable of supporting 500 lbs.
- Matching cover plate finishes including unlimited powder coat colors
- Options include sensor activation, bottle counter, finishes, bubbler valves and more...

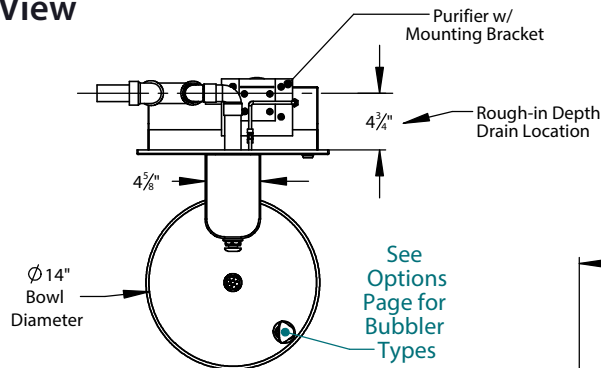
107-14-VP-TM Models Include: Purifier: Taste Master® TMS1-0.5

- **Construction:** Stainless steel housing
- **Element:** 0.5 micron carbon block removes particulates, cysts, chlorine, organic odors and tastes. Exclusive seal design negates bypassing and leaking.

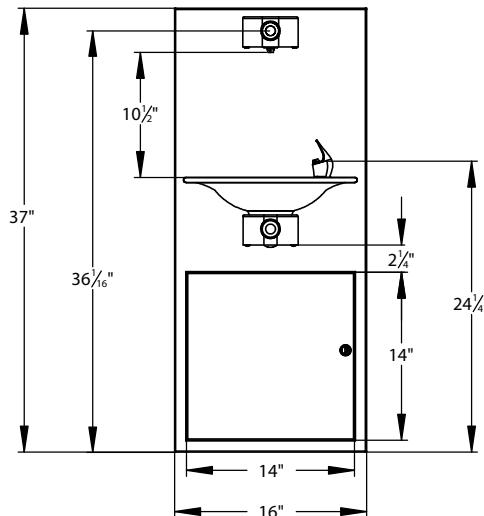
Recommended Add-ons Chiller

Equip your fountain with a Filtrine point-of-use or remote chiller to cool your drinking water. We can help you select the most economical chiller model to fit your demand.

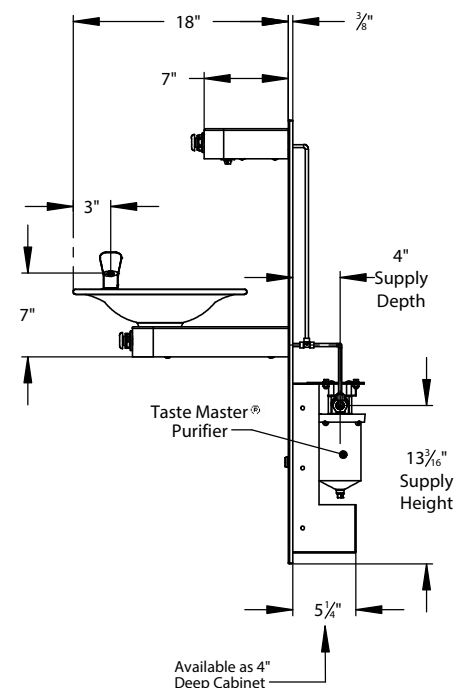
Top View



Front View



Side View



For options, finishes
and more see page 2



Vandal Proof Non-Recessed Fountain Options

[S] - Standard
☑ - ADA compliant

Standard Vandal Proof Bottle Filler

Features:

- Mounted 10½" above lowest fountain bowl
- Comes standard with bottom security panel assembled with tamper proof screws and "Soft Touch" button valve
- Supply plumbing and mounting tongue for filler provided by Filtrine



"Soft Touch" Button Valve with Recessed Set Screw

Bubbler Control Options (Check One)



Integral "Easy Touch" Lever Valve

Recessed Set Screw



Integral "Push Button" Valve

Standard Security Panel and Vandal Proof Bubbler

"Soft Touch" Button and Projector Bubbler with Recessed Set Screws



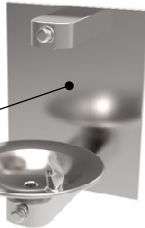
16 ga. Plate Secured with Tamper-Resistant Screws for Added Security

4x Tamper-Resistant Screws



Standard 21" High Cover Plate

- 16 gauge metal construction
- Material and finish for cover plate can be selected below



Cover Plate Friction Fit on Mounting Plate

Bottle Filler Options

"Hands Free" Sensor Activated

- 4x -AA lithium batteries (included)
- Runs approximately 400,000 cycles
- Features automatic shutoff (30 sec)
- Includes 6" access panel below fountain for sensor controls (see below)



Bottle Counter*

- Digital display of approximate number of bottles saved through filler usage
- * Only available with sensor activation

Bottle Rest**

- Located above lowest fountain for reduced splash and one handed operation
- **Recommended with sensor activation

Fountain Finish (Check One)

- Satin Stainless [S] Mirrored Stainless Satin Bronze Mirrored Bronze Statuary Bronze Oil-Rubbed Bronze

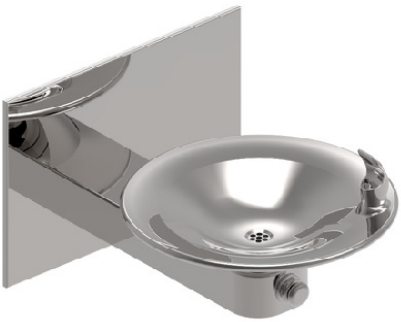
Cover Plate Finish (Check One)

- Satin Stainless [S] Mirrored Stainless Powder Coat _____ Satin Bronze Mirrored Bronze Statuary Bronze Oil-Rubbed Bronze

Stainless

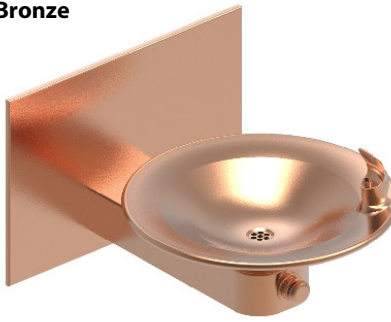


Satin Stainless Steel [S]

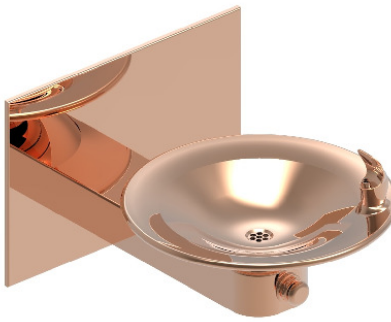


Mirrored Stainless Steel

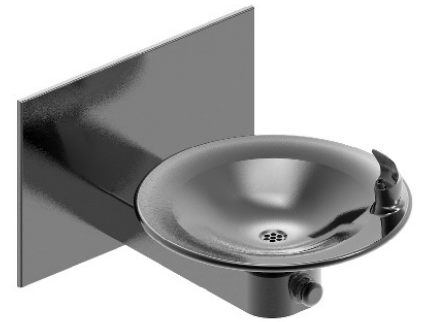
Bronze



Satin Bronze



Mirrored Bronze



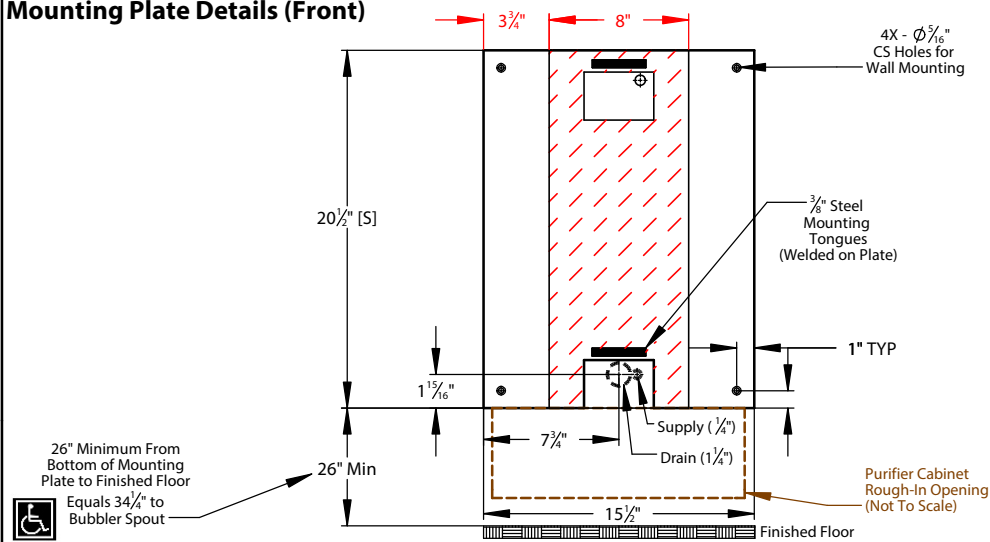
Oil Rubbed Bronze



Statuary Bronze



Mounting Plate Details (Front)



Approximate Rough-In Dimensions (hatched, left)

Model	Height	Width
Standard Plate	20 1/2"	8"

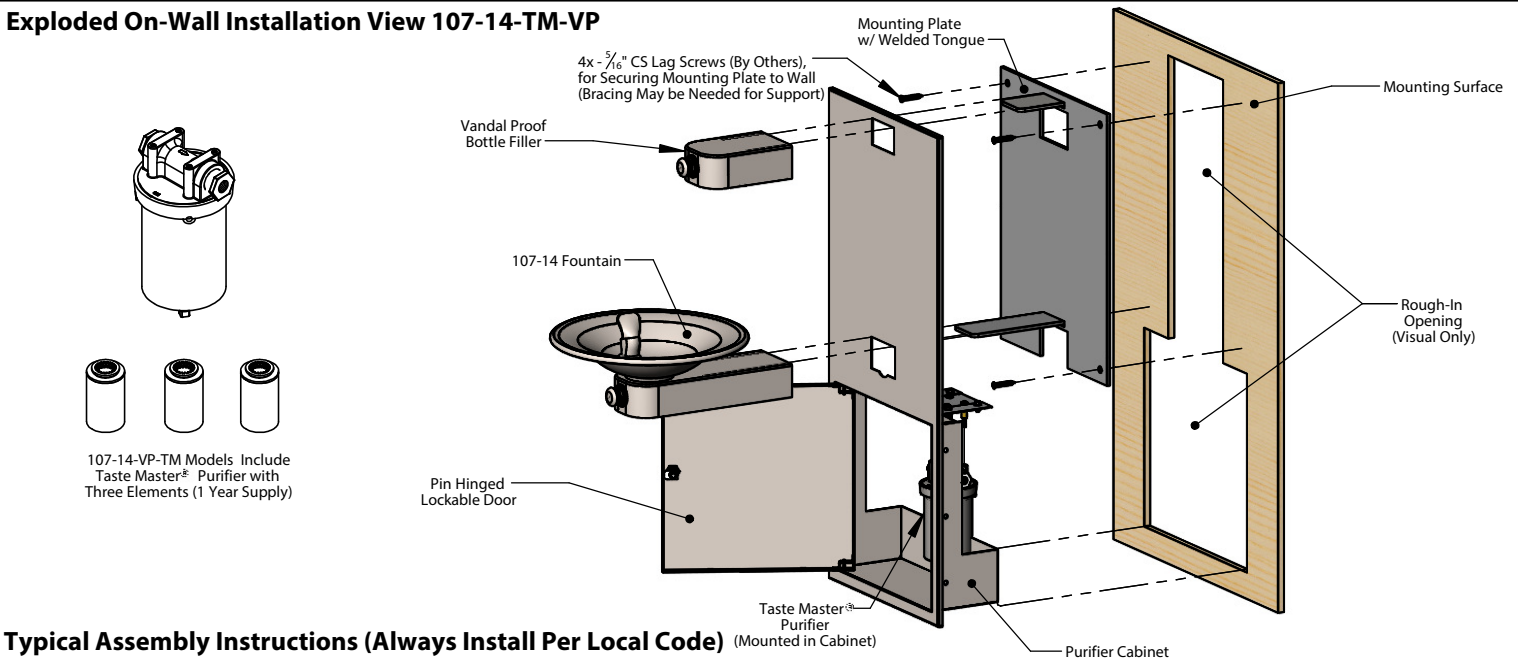
Approximate Purifier Cabinet Rough-In Dimensions (outlined, left)

Model	Height	Width
Purifier Cabinet*	15"	14 1/2"

*Wall opening must be 6" deep to allow room for purifier cabinet

All views shown are for typical installation of 107-14-VP-TM. Views, dimensions and diagrams may change for specific installation requirements.

Exploded On-Wall Installation View 107-14-TM-VP

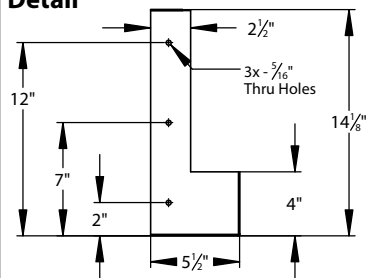


107-14-VP-TM Models Include Taste Master® Purifier with Three Elements (1 Year Supply)

Typical Assembly Instructions (Always Install Per Local Code)

1. Cut rough opening per install requirements (rough opening example shown above) and install blocking or fixture carrier as required to support the drinking fountain mounting plate and purifier cabinet in a minimum 6" deep wall.
2. Cut a separate rough opening extending below the fountain mounting plate (15" high x 14 1/2" wide maximum rough in opening dimensions).
3. Run drain pipe to center of openings on mounting plate and install drain trap in wall per local code.
4. Run supply water line to the Taste Master® purifier housing.
5. Attach piping assembly provided by Filtrine to the back side of the mounting plate.
6. Fasten mounting plate over rough opening with 5/16" countersunk lag bolts with bottom of plate 26" above the floor to meet ADA fountain height requirements of 34 1/4" to the bubbler spout.
7. Install purifier cabinet in rough opening below the mounting plate and slide the cover plate over the mounting plate. Using screws, fasten the cabinet to the mounting surface through the side flanges of the cabinet.
8. Slide the fountain and vandal proof bottle filler arm over the horizontal tongues protruding from the mounting plate and fasten arms with set screws pushing slightly against the cover plate.
9. Connect drain line to slip coupling, install purifier and connect supply water connections to the fountain and bottle filler.
10. Install security panels under fountain arm and vandal proof bottle filler.

Purifier Cabinet Mounting Detail



Typical Drain Plumbing Detail (In-Wall Drain Plumbing Provided By Others, Install Per Local Code)

