

107-14-VP

Non-Recessed Vandal Proof
Drinking Fountain with Vandal Proof Bottle Filler



Fountain bowl and cover plate shown in standard #4 satin stainless steel finish with "Soft Touch" button valve, bubbler and vandal proof bottle filler in mirror finish

Dimensions in drawing subject to options selected.

Features

- 14" diameter, 16 ga. fountain bowl
- No plastic parts
- 100% made in the USA
- Manufactured with lead-free materials
- Integral drain in bowl for ease of cleaning
- 1/4" steel support arm and wall bracket capable of supporting 500 lbs.
- Cover plate and optional access panel to match bowl finish or choose from unlimited powder coat colors
- Options include sensor activation, bottle counter, finishes, bubbler valves, and more...

Recommended Add-ons

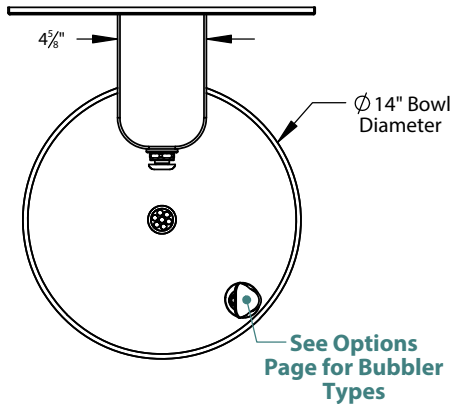
Chiller

Equip your fountain with a Filtrine point-of-use or remote chiller to cool your drinking water. We can help you select the most economical chiller model to fit your demand.

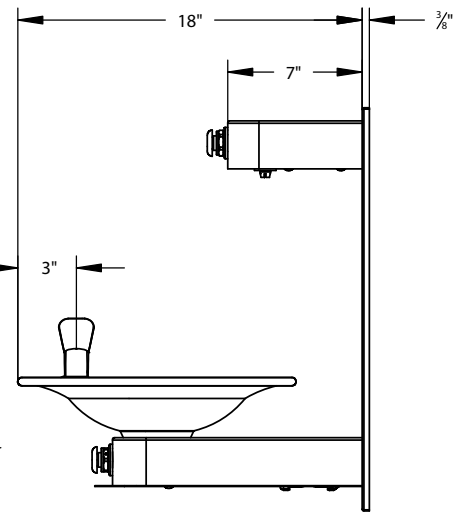
Purifier

Ensure that your drinking water is of the highest quality by adding a Filtrine Taste Master® purifier cabinet underneath the fountain or a remote purification system serving all fountains in the building.

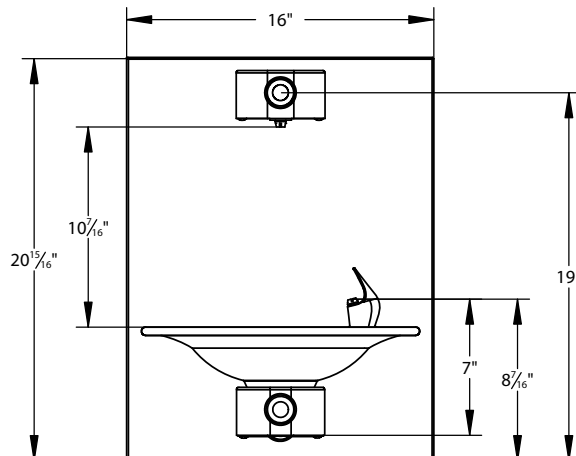
Top View



Side View



Front View



For options, finishes
and more see page 2



Vandal Proof Non-Recessed Fountain Options

[S] - Standard
[S] - ADA compliant

Standard Vandal Proof Bottle Filler

Features:

- Mounted 10 1/2" above lowest fountain bowl
- Comes standard with bottom security panel assembled with tamper proof screws and "Soft Touch" button valve
- Supply plumbing and mounting tongue for filler provided by Filtrine



Bubbler Control Options (Check One)

All Bubblers Have Recessed Set Screws for VP models



Integral "Easy Touch" Lever Valve



Integral "Push Button" Valve



"Soft Touch" Button Valve [S]

Standard Security Panel and Vandal Proof Bubbler

"Soft Touch" Button and Projector Bubbler with Recessed Set Screws



16 ga. Plate Secured with Tamper-Resistant Screws for Added Security

4x Tamper-Resistant Screws



Standard 21" High Cover Plate

- 16 gauge metal construction
- Material and finish for cover plate can be selected below

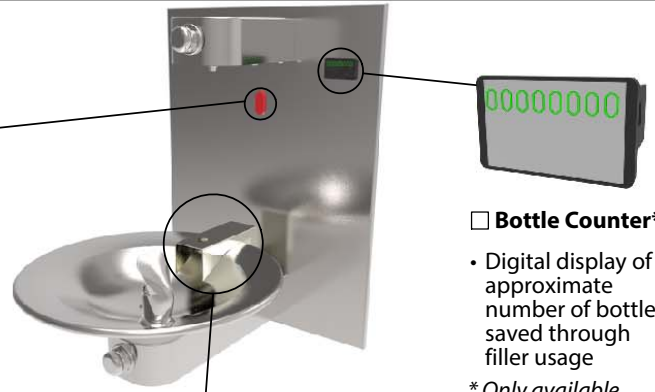


Cover Plate Friction Fit on Mounting Plate

Bottle Filler Options

"Hands Free" Sensor Activated

- 4x -AA lithium batteries (included)
- Runs approximately 400,000 cycles
- Features automatic shutoff (30 sec)
- Includes 6" access panel below fountain for sensor controls (see below)



Bottle Counter*

- Digital display of approximate number of bottles saved through filler usage

* Only available with sensor activation

Bottle Rest**

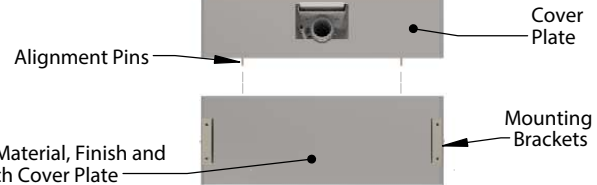
- Located above lowest fountain for reduced splash and one handed operation

**Recommended with sensor activation

Access Panel Options

6" Standard Height

Other Height _____ in



Access Panel Material, Finish and Width to Match Cover Plate

Fountain Finish (Check One)

- Satin Stainless [S] Mirrored Stainless Satin Bronze Mirrored Bronze Statuary Bronze Oil-Rubbed Bronze

Cover Plate Finish (Check One)

- Satin Stainless [S] Mirrored Stainless Powder Coat _____ Satin Bronze Mirrored Bronze Statuary Bronze Oil-Rubbed Bronze

Stainless

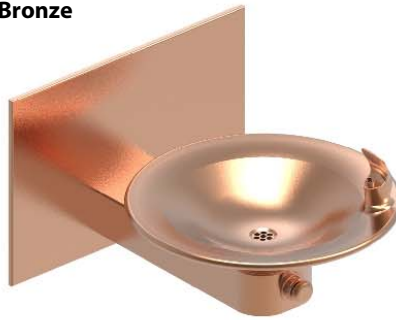


Satin Stainless Steel [S]



Mirrored Stainless Steel

Bronze



Satin Bronze



Mirrored Bronze



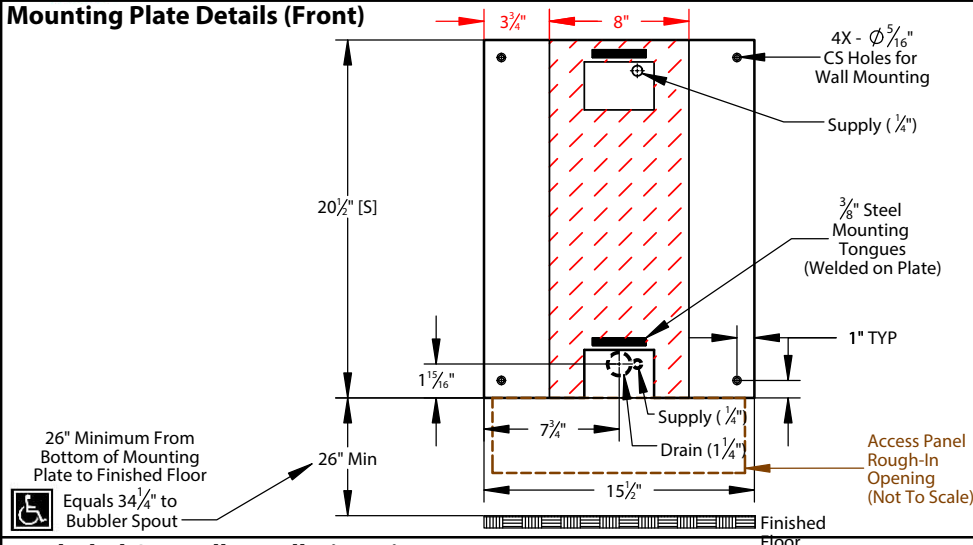
Oil Rubbed Bronze



Statuary Bronze



Mounting Plate Details (Front)



Approximate Rough-In Dimensions (hatched, left)

Model	Height	Width
Standard Plate	20 1/2"	8"

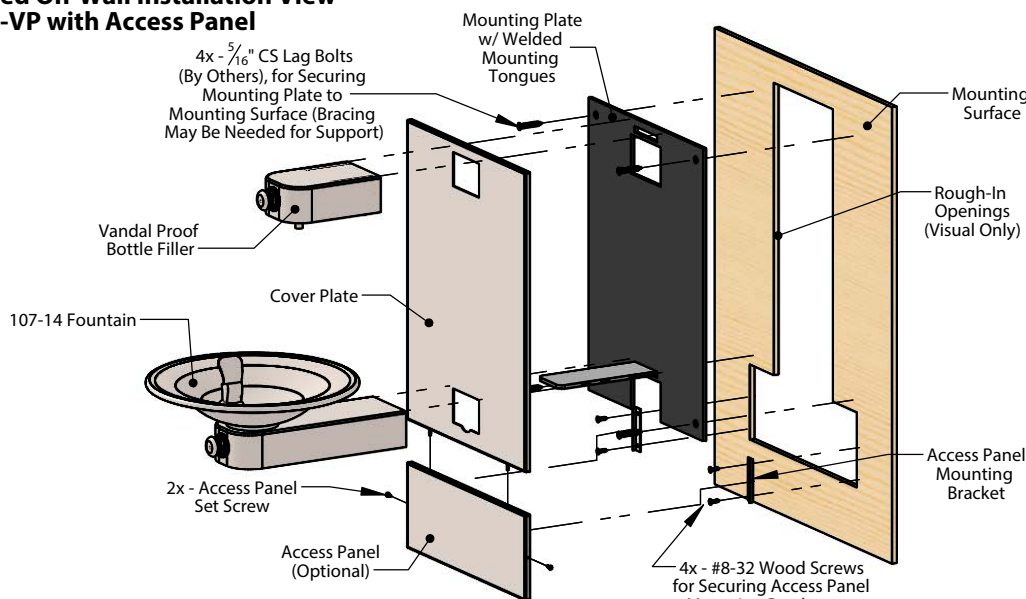
Approximate Access Panel Rough-In Dimensions (outlined, left)

Model	Height	Width
Standard Panel	5 1/2" *	14 1/2"

*If height specified, rough-in height will be 1/2" less than specified height

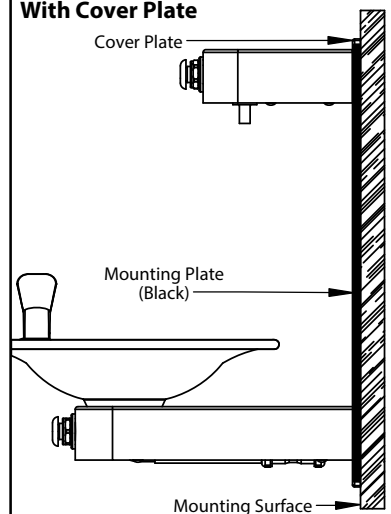
All views shown are for typical installation of 107-14-VP. Views, dimensions and diagrams may change for specific installation requirements.

Exploded On-Wall Installation View 107-14-VP with Access Panel



1/4" Steel Mounting Plate Should Be Mounted on Wall Surface.

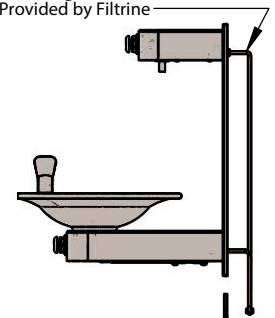
On-wall Mounting Detail With Cover Plate



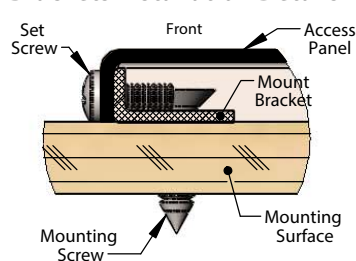
Typical Assembly Instructions (Always Install Per Local Code)

- Cut rough opening as shown above and install blocking or fixture carrier as required to support the assembly.
- If optional access panel was ordered, cut a separate rough opening (table, top right) extending below the fountain mounting plate.
- Run drain piping to center of openings on mounting plate and install drain trap in wall per local code.
- Run supply water line with service valve, if necessary.
- Attach bottle filler piping assembly provided by Filtrine to the back side of the mounting plate.
- Fasten mounting plate over rough opening with 5/16" countersunk lag bolts with bottom of plate 26" above the floor to meet ADA fountain height requirement of 34 1/4" to the bubbler spout.
- Install cover plate over the mounting plate.
- Slide each fountain and vandal proof bottle filler arm over the horizontal tongues protruding from the mounting plate and fasten arms with set screws pushing slightly against the cover plate or finished wall.
- Connect drain line to slip coupling and connect supply water connections to the fountain and vandal proof bottle filler.
- Install security panels under fountain arm and vandal proof bottle filler.
- If your model includes the access panel, measure, mark and install the included "L" brackets with #8-32 screws and align panel to cover plate with alignment pins.

107-14-VP Supply Plumbing Provided by Filtrine

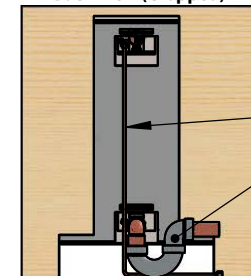


Access Panel Mounting Brackets Installation Details

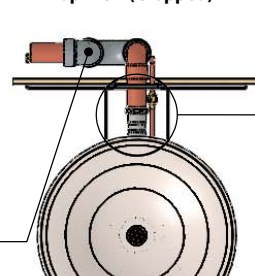


Typical Drain Plumbing Detail (In-Wall Drain Plumbing Provided By Others, Install Per Local Code)

Back View (Cropped)



Top View (Cropped)



Connections

