

FILTRINE

Model 107-16 Non-Recessed Fountain

Model 107-16 drinking fountain shown in 16 gauge stainless hand polished to a #4 satin finish with matching lead-free stainless bubbler and integral drain. Mirror finish also available.

Model 107-16 in 16 gauge satin bronze with lead-free stainless push-button bubbler and integral drain. Shown with optional cover plate for surface mounting.

Model 107-16 in 16 gauge satin bronze with integral drain, lead-free matching stainless bubbler and "soft touch" push-button.

Model 107-16 drinking fountain shown in 16 gauge mirror bronze with matching lead-free stainless bubbler and integral drain. Also available in statuary bronze.



FORM 1220

Model 107-16 Non-Recessed Fountain

MODEL 107-16 NON-RECESSED FOUNTAIN

Receptor: 16" diameter with seamless double bowl design with welded rim, ground and polished to a finely tapered edge with $1/32$ " radius—in 16 gauge. **Underbowl:** raised from support arm by $1/2$ " collar to provide an aesthetically pleasing profile. **Support arm:** $4\ 3/8$ " wide by $2\ 5/8$ " high—in 14 gauge. Overall fountain height 3". **Mounting plate:** $1/4$ " steel plate 11" high for vertical strength, $15\ 3/4$ " wide with $3/8$ " steel tongue projecting into support arm for maximum horizontal stability.

CONSTRUCTION OPTIONS

MATERIAL: Bowl & Support Arm

- Stainless Steel Bronze

FINISH: Bowl & Support Arm

- #4 Satin #8 Mirror Statuary Bronze

Fixture & Drain

- Satin Mirror Statuary (bronze only)

FIXTURES: (finish to match)

- S/S Bubbler with separate "Soft Touch" valve
 S/S Bubbler with integral push-button valve
 S/S Bubbler with lever handle valve (1 or 2)
 S/S Bubbler with rocker arm valve
 S/S Bubbler with "No Hands" photo cell in cover plate.

MOUNTING PLATE:

- IN-WALL: see under description above
 ON-WALL: As above with 16" x 11" matching cover plate

READY-TO-ISSUE PERFORMANCE SPECS

All bidders must meet the following minimum standards.

Supply and install where shown on plans, wall mounted circular drinking fountain. Receptor to be 16" diameter with integral drain and seamless double bowl design with welded rim, ground and polished to a finely tapered edge with $1/32$ " radius. Underbowl to be raised from support arm by $1/2$ " collar to provide an aesthetically pleasing profile. Support arm not to exceed $4\ 3/8$ " wide by $2\ 5/8$ " high. Overall fountain height not to exceed $3\ 1/4$ ". Bowl to be manufactured of 16 gauge (), hand polished to a () finish with matching 14 gauge support arm. Bubbler to have matching finish with () valve. All water contact surfaces shall be lead-free, stainless steel (brass bubbler and flow regulator not acceptable). Fountain shall include mounting plate with projecting $3/8$ " steel tongue to insure rigidity of fountain. Fountain shall have no nameplate, lettering or symbols of any kind, and carry a Lifetime Warranty.

MODEL 107-16 MEETS OR EXCEEDS ADA

requirements for spout height, spout location, controls and clearances as specified in the Federal Register and is covered by a Lifetime Warranty. **Please note that many states now permit use of a single 36" high fountain to serve both handicapped and non-handicapped users.**

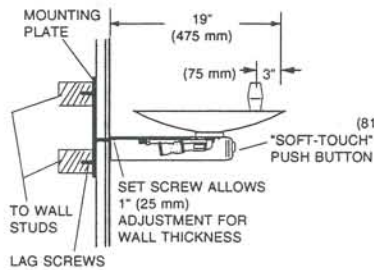
DEDICATED DRINKING WATER

All Water at This Outlet Filtered,
Sterilized and Cooled for your
Health and Enjoyment.

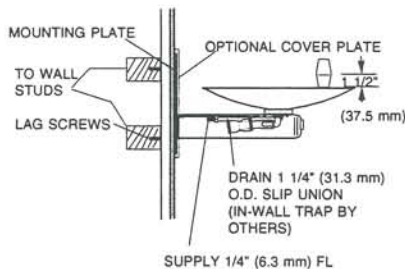
FOUNTAINS PROVIDED WITH PURIFIED, CHILLED WATER FROM OUR DEDICATED LINE WILL BE PROVIDED WITH THIS PLATE FREE OF CHARGE
 (Will your next building carry this assurance?)

INSTALLATION DRAWINGS

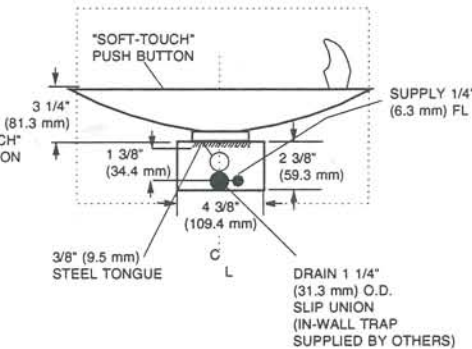
IN-WALL MOUNTING DETAIL



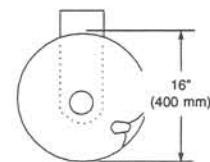
SURFACE MOUNTING DETAIL
(Requires optional cover plate)



FRONT VIEW



PLAN VIEW



DRAIN DROP
1/4" (6.3 mm)
PER FOOT
(399 mm)

MOUNTING TOP OF 3/8"
STEEL TONGUE OF MOUNTING PLATE
30 1/2" FROM FLOOR LINE WILL
RESULT IN 36" BUBBLER HEIGHT.



FILTRINE MANUFACTURING COMPANY • 15 Kit Street, Keene, NH 03431

Ph: (603) 352-5500 • Fax: (603) 352-0330 • Email: cool@filtrine.com

www.filtrine.com