

# FILTRINE

## Model 130-CP Pedestal Fountain



Model 130-CP Pedestal Drinking Fountain (foreground) shown in Stainless Steel polished to a #4 satin finish with mirror finish push-button bubbler and drain. ( Model 125-CP Pedestal Drinking Fountain shown in background.)

# Model 130-CP

## DESCRIPTION MODEL 130-CP-14

Supply and install where shown on plans, floor mounted circular drinking fountain. Receptor to be 14" diameter with 1/8" radius rolled edge and integral drain, mounted on a 4" diameter column with concealed plumbing. Overall fountain height (excluding pedestal) not to exceed 3 1/4".

## DESCRIPTION MODEL 130-CP-16

Supply and install where shown on plans, floor mounted circular drinking fountain. Receptor to be 16" diameter with 1/32" radius welded edge and integral drain, mounted on a 4" diameter column with concealed plumbing. Overall fountain height (excluding pedestal) not to exceed 3 1/4".

### CONSTRUCTION OPTIONS

#### MATERIAL:

- BOWL & PEDESTAL: 16 gauge  Stainless Steel  
 Bronze

#### FINISH:

- BOWL & PEDESTAL:  #4 Satin  #8 Mirror  
 Statuary Bronze

- FIXTURE & DRAIN:  Satin  Mirror

#### FIXTURES:

S/S Bubbler with integral push-button valve

**MOUNTING PLATE:** Fountain to be secured to floor by 1/4" steel baseplate welded to pedestal, 10" sq. overall, secured with (4) anchor bolts.

*Will your next building carry this assurance?*

### DEDICATED DRINKING WATER

All water at this outlet filtered, sterilized and cooled for your health and enjoyment.

This plate available at no charge

## READY-TO-ISSUE GUIDE SPECS 130-CP-14

Supply and install where shown on plans, floor mounted stainless steel circular drinking fountain. Receptor to be 14" diameter with 1/8" radius rolled edge and integral drain, mounted on a 4" diameter column with concealed plumbing. Overall fountain height (excluding pedestal) not to exceed 3 1/4". Bowl and pedestal to be manufactured of 16 gauge ( ), hand polished to a ( ) finish. Bubbler to be #316 lead free stainless steel with integral push-button valve. All water contact surfaces shall be lead-free, stainless steel (brass bubbler and flow regulator not acceptable). Fountain shall include mounting plate for floor mounting and carry a Lifetime Warranty. Fountain shall be Filtrine Model 130-CP-14 as manufactured by Filtrine Manufacturing Company, Harrisville, NH 03450

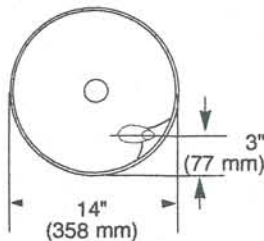
## READY-TO-ISSUE GUIDE SPECS 130-CP-16

Supply and install where shown on plans, floor mounted stainless steel circular drinking fountain. Receptor to be 16" diameter with 1/32" radius welded edge and integral drain, mounted on a 4" diameter column with concealed plumbing. Overall fountain height (excluding pedestal) not to exceed 3 1/4". Bowl and pedestal to be manufactured of 16 gauge ( ), hand polished to a ( ) finish. Bubbler to be #316 lead free stainless steel with integral push-button valve. All water contact surfaces shall be lead-free, stainless steel (brass bubbler and flow regulator not acceptable). Fountain shall include mounting plate for floor mounting and carry a Lifetime Warranty. Fountain shall be Filtrine Model 130-CP-16 as manufactured by Filtrine Manufacturing Company, Harrisville, NH 03450

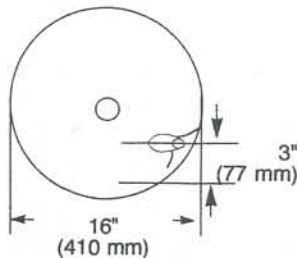
### MODEL 130-CP MEETS OR EXCEEDS ADA

Requirements for spout height, spout location, controls and clearances as specified in the Federal Register and is covered by a Lifetime Warranty.

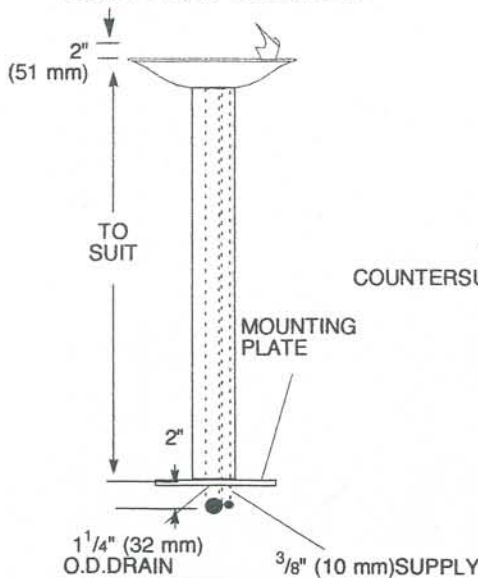
**PLAN VIEW  
130-CP-14**



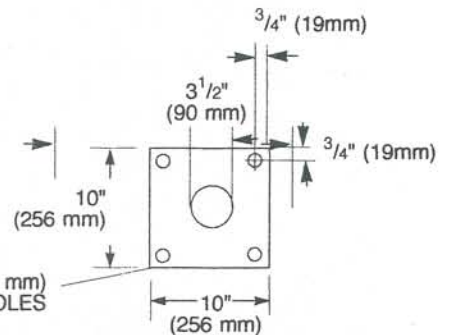
**PLAN VIEW  
130-CP-16**



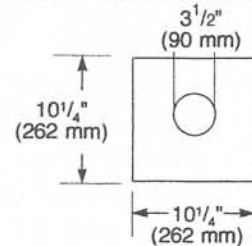
**FRONT VIEW  
130-CP-14 & 130-CP-16**



**1/4" (6.3 mm)  
STEEL MOUNTING PLATE**



**OPTIONAL MATCHING  
MOUNTING PLATE COVER**



FILTRINE MFG. CO.  
15 KIT STREET  
KEENE, NH 03431  
603 - 352 - 5500  
603 - 352 - 0330 FAX

MODEL:

**130-CP**

JOB NAME:

BULLETIN#

**1160** REV.6/98

DOCUMENT NO.