

FILTRINE

Model 121
Deck Fountain



Model 121 Deck Fountain
shown in Travertine marble with
style 105-14BL Statuary Bronze
finish bowl with raised rim,
matching push-button bubbler
and drain.

FORM 1110

SPECIFICATIONS Model 121

Supply and install as detailed on plans a pre-fabricated deck-type drinking fountain. Deck to be []"W x []"D (min. 12"W x 12"D). Front skirt to be [] (2" min.). Deck to be supplied with 10" integral bowl with matching fixture and 1 1/4" O.D. tailpiece.

MATERIAL: (Deck)

- Marble (specify)
- Marble Aggregate (specify)
- Polymer Aggregate (specify)
- No. of cut outs: []
- Cut out(s) to be
 - [] on center from each other
 - [] from left end (1" minimum)
 - [] from right end (1" minimum)
 - [] from back (1" minimum)
 - [] from front (1" minimum)

BOWL & ACCESSORIES:

MATERIAL:

- BOWL: 16 ga. Stainless Steel Bronze
- FIXTURE & DRAIN: Chrome Plated Bronze

FINISH:

- Satin Mirror Statuary Bronze
- RIM STYLE: (see bulletin 1100):
- Self-rimming Recessed Rim Raised Rim

FIXTURE:

- Bubbler with integral push-button valve (shown)
- Bubbler with separate "Soft Touch" valve
- Bubbler with "No Hands" photo cell to be mounted in back splash.
- Gooseneck glass filler with "Soft Touch" valve in place of bubbler

ACCESSORIES:

- Matching back splash [] high
- Matching side splash [] high



MODEL 121 CAN BE MODIFIED TO MEET A.D.A. REQUIREMENTS AS STATED BELOW

4.15.2 SPOUT HEIGHT: Spouts shall be no higher than 36" measured from the floor or ground surfaces to the spout outlet.

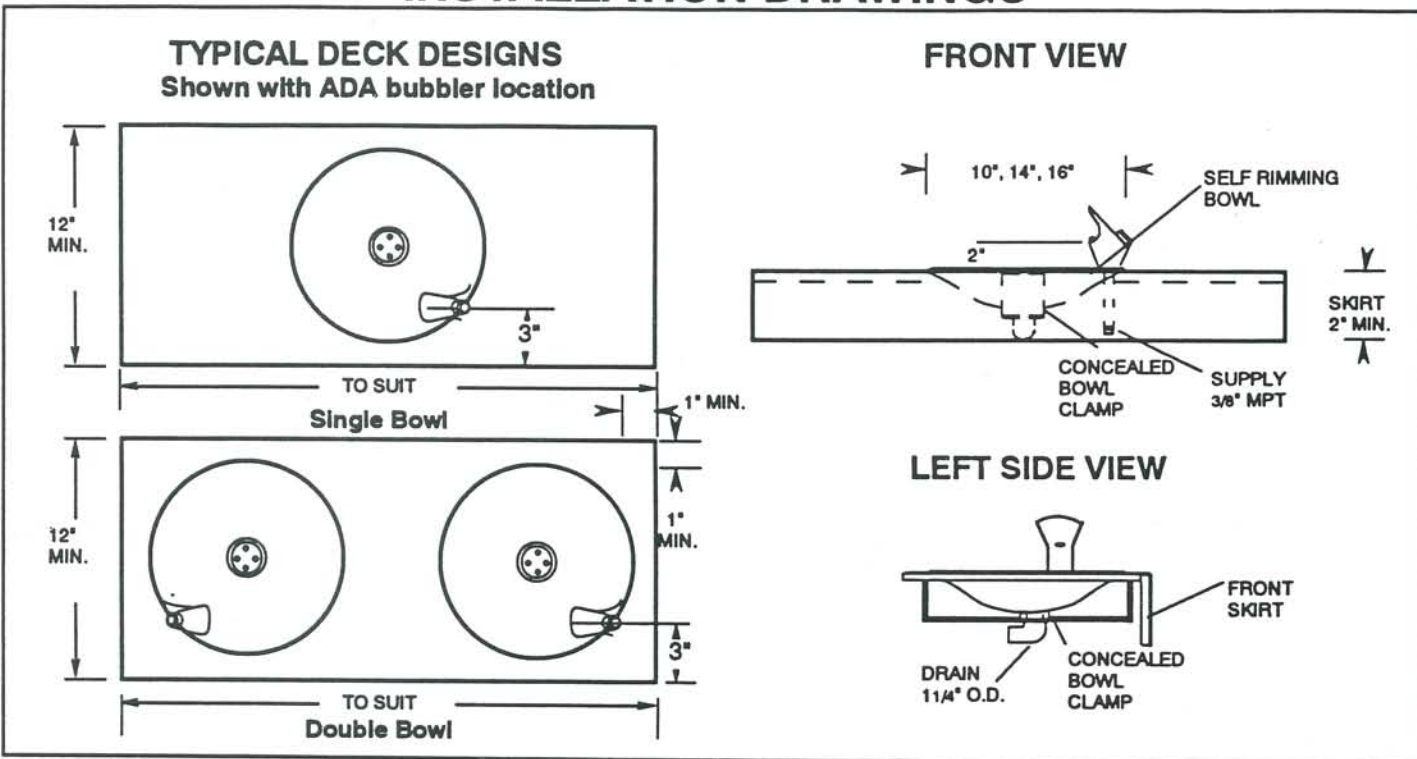
4.15.3 SPOUT LOCATION: The spouts of drinking fountains and water coolers shall be at the front of the unit and shall direct the water flow in a trajectory that is parallel or nearly parallel to the front of the unit. On an accessible drinking fountain with a round or oval bowl, the spout must be positioned so the flow of water is within 3" of the front edge of the fountain.

4.15.4. CONTROLS: Unit controls shall be front mounted or side mounted near the front edge.

4.15.5.1 CLEARANCES: Wall and post-mounted cantilevered units shall have a clear knee space between the bottom of the apron and the floor or ground at least 27" high, 30" wide and 17" to 19" deep. Such units shall also have a minimum clear floor space 30" by 48" to allow a person in a wheelchair to approach the unit facing forward.

Federal Register, July 28, 1991
Rules and Regulations

INSTALLATION DRAWINGS



FILTRINE MANUFACTURING COMPANY Keene, NH 03431
(603) 352-5500 • (800) 930-3367 • Fax (603) 352-0330
Website: www.filtrine.com